

1.5-A Constant-Current Buck Converter for High-Brightness LEDs with Integrated LED Thermal Foldback

Check for Samples: [TPS92510](#)

FEATURES

- 3.5-V to 60-V Input Voltage Range
- Integrated 200-mΩ High-Side MOSFET
- 200 mV Internal Voltage Reference
- ±3% LED Current Accuracy
- 100 kHz to 2.5 MHz Switching Frequency Range
- Dedicated PWM Dimming Input
- LED Thermal Foldback
- Adjustable UVLO
- Overcurrent Protection
- Over-Temperature Protection
- MSOP-10 (DGQ) PowerPAD™ Package

APPLICATIONS

- Street Lighting
- Emergency Lighting
- General Illumination
- Industrial and Commercial Lighting
- MR16 LED Bulbs

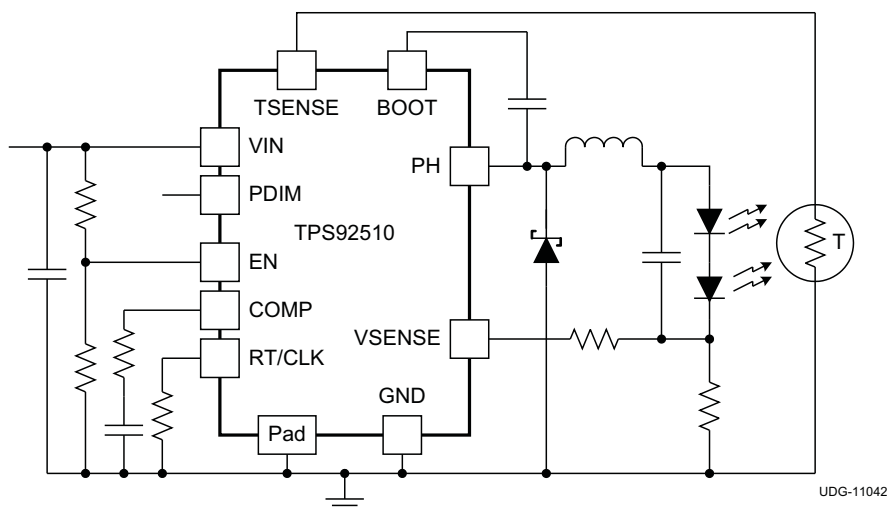
DESCRIPTION

The TPS92510 is a 60-V, 1.5-A peak current-mode step-down converter with an integrated high-side MOSFET. It is specifically designed for driving high-brightness LEDs with a constant current. The tight-tolerance, 200-mV internal reference voltage reduces power dissipation in the current-sense resistor. A dedicated pulse width modulation input pin allows linear control of the light output.

The TPS92510 integrates a thermal foldback feature that reduces the average output current to ensure that the sensed LED temperature never exceeds a specific value, improving the reliability of the overall system. An integrated frequency synchronization feature allows a reduction of unwanted beat-frequencies in multi-string applications and simplifies EMI filtering. The adjustable input voltage UVLO feature accommodates the various deep discharge levels of multiple battery types.

The TPS92510 includes cycle-by-cycle overcurrent protection, and thermal shutdown protection. It is available in a 10-pin MSOP PowerPAD™ package.

SIMPLIFIED APPLICATION



Please be aware that an important notice concerning availability, standard warranty, and use in critical applications of Texas Instruments semiconductor products and disclaimers thereto appears at the end of this data sheet.

PowerPAD is a trademark of Texas Instruments.

PRODUCTION DATA information is current as of publication date. Products conform to specifications per the terms of the Texas Instruments standard warranty. Production processing does not necessarily include testing of all parameters.



This integrated circuit can be damaged by ESD. Texas Instruments recommends that all integrated circuits be handled with appropriate precautions. Failure to observe proper handling and installation procedures can cause damage.

ESD damage can range from subtle performance degradation to complete device failure. Precision integrated circuits may be more susceptible to damage because very small parametric changes could cause the device not to meet its published specifications.

ORDERING INFORMATION⁽¹⁾

T _J	PACKAGE	PINS	OUTPUT SUPPLY	MINIMUM QUANTITY	ORDERABLE DEVICE NUMBER
-40°C to 150°C	PowerPAD Plastic Small Outline (MSOP)	10	Tube	80	TPS92510DGQ
			Tape and Reel	2500	TPS92510DGQR

(1) For the most current package and ordering information see the Package Option Addendum at the end of this document, or see the TI website at www.ti.com.

ABSOLUTE MAXIMUM RATINGS⁽¹⁾

Over operating temperature range (unless otherwise noted).

		VALUE		UNIT
		MIN	MAX	
Input voltage	VIN	-0.3	65	V
	PDIM, EN	-0.3	6	
	BOOT		73	
	VSENSE, TSENSE, COMP	-0.3	3	
	RT/CLK	-0.3	3.6	
Output voltage	BOOT-PH		8	V
	PH	-0.6	65	
	PH, 10-ns Transient	-2	65	
Voltage Difference	PAD to GND		±200	mV
Source current	EN		100	µA
	BOOT		100	mA
	VSENSE		10	µA
	PH		Current Limit	A
	RT/CLK		100	µA
Sink current	VIN		Current Limit	A
	COMP, VSENSE, EN		100	µA
Electrostatic Discharge (HBM) QSS 009-105 (JESD22-A114A)			2	kV
Electrostatic Discharge (CDM) QSS 009-147 (JESD22-C101B.01)			500	V
Operating junction temperature, T _J		-40	150	°C
Storage temperature, T _{stg}		-65	150	°C

(1) Stresses beyond those listed under *absolute maximum ratings* may cause permanent damage to the device. These are stress ratings only and functional operation of the device at these or any other conditions beyond those indicated under *recommended operating conditions* is not implied. Exposure to absolute-maximum-rated conditions for extended periods may affect device reliability.

THERMAL INFORMATION

THERMAL METRIC ⁽¹⁾		TPS92510		UNITS
		MSOP		
		10 PINS		
θ_{JA}	Junction-to-ambient thermal resistance ⁽²⁾	66.7		°C/W
θ_{JCTop}	Junction-to-case (top) thermal resistance ⁽³⁾	45.8		
θ_{JB}	Junction-to-board thermal resistance ⁽⁴⁾	37.5		
ψ_{JT}	Junction-to-top characterization parameter ⁽⁵⁾	1.8		
ψ_{JB}	Junction-to-board characterization parameter ⁽⁶⁾	37.1		
θ_{JCbott}	Junction-to-case (bottom) thermal resistance ⁽⁷⁾	15.4		

- (1) For more information about traditional and new thermal metrics, see the *IC Package Thermal Metrics* application report, [SPRA953](#).
- (2) The junction-to-ambient thermal resistance under natural convection is obtained in a simulation on a JEDEC-standard, high-K board, as specified in JESD51-7, in an environment described in JESD51-2a.
- (3) The junction-to-case (top) thermal resistance is obtained by simulating a cold plate test on the package top. No specific JEDEC-standard test exists, but a close description can be found in the ANSI SEMI standard G30-88.
- (4) The junction-to-board thermal resistance is obtained by simulating in an environment with a ring cold plate fixture to control the PCB temperature, as described in JESD51-8.
- (5) The junction-to-top characterization parameter, ψ_{JT} , estimates the junction temperature of a device in a real system and is extracted from the simulation data for obtaining θ_{JA} , using a procedure described in JESD51-2a (sections 6 and 7).
- (6) The junction-to-board characterization parameter, ψ_{JB} , estimates the junction temperature of a device in a real system and is extracted from the simulation data for obtaining θ_{JA} , using a procedure described in JESD51-2a (sections 6 and 7).
- (7) The junction-to-case (bottom) thermal resistance is obtained by simulating a cold plate test on the exposed (power) pad. No specific JEDEC standard test exists, but a close description can be found in the ANSI SEMI standard G30-88.

RECOMMENDED OPERATING CONDITIONS

over operating free-air temperature range (unless otherwise noted)

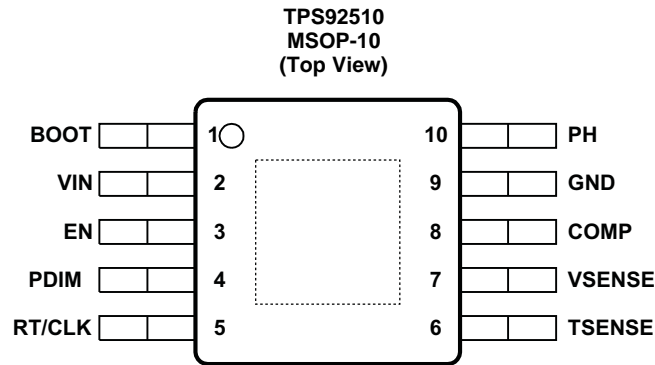
		MIN	NOM	MAX	UNIT
	PWM dimming input frequency	120		1000	Hz
	PWM dimming minimum on-time	10			µs
V_{VIN}	Input voltage	3.5		60	V
$t_{ON(min)}$	High-side MOSFET on-time	350			ns
$I_{L(pk-pk)}$	Peak-to-peak inductor current	150			mA
T_J	Operating junction temperature	–40		125	°C

ELECTRICAL CHARACTERISTICS

–40°C ≤ T_J ≤ 125°C, V_{VIN} = 12 V (unless otherwise noted)

PARAMETER		TEST CONDITIONS	MIN	TYP	MAX	UNIT
SUPPLY VOLTAGE (VIN PIN)						
V _{VIN}	Input voltage		3.5		60	V
V _{UVLO}	Internal undervoltage lockout threshold	No voltage hysteresis, rising and falling		2.5		V
I _{VINSD}	Shutdown supply current	V _{EN} = 0 V, T _A = 25°C, 3.5 V ≤ V _{VIN} ≤ 60 V		1.3	4	μA
I _{VIN}	Non-switching supply current	V _{VSENSE} = 210 mV, T _A = 25°C		305	400	
ENABLE AND UVLO (EN PIN)						
V _{EN}	Enable threshold voltage	No voltage hysteresis, rising and falling, 25°C	1.10	1.22	1.34	V
	Input current	VREF threshold +50 mV		–3.8		μA
		VREF threshold –50 mV		–0.9		
	Hysteresis current			–2.9		μA
VOLTAGE REFERENCE						
VREF	Voltage reference	3.5 ≤ V _{VIN} ≤ 60 V, T _J = 25°C	194	200	206	mV
		3.5 ≤ V _{VIN} ≤ 60 V, –40°C ≤ T _J ≤ 125°C	190		210	
HIGH-SIDE MOSFET						
R _{DS(on)}	On-resistance	V _{VIN} = 3.5 V, (V _{BOOT} – V _{PH}) = 3 V		300		mΩ
		V _{VIN} = 12 V, (V _{BOOT} – V _{PH}) = 6 V		200	410	
ERROR AMPLIFIER						
	Input current			50		nA
g _{M(ea)}	Error amplifier transconductance gain	–2 μA < I _{COMP} < 2 μA, V _{COMP} = 1 V		310		μA/V
	Error amplifier dc gain	V _{VSENSE} = 0.2 V		10		kV/V
	Error amplifier bandwidth			2.7		MHz
	Error amplifier source/sink	V _{COMP} = 1 V, 100 mV overdrive		±27		μA
	COMP to switch current transconductance			10.5		A/V
CURRENT LIMIT						
	Current limit threshold	T _J = 25°C	2.5	4.0		A
THERMAL SHUTDOWN						
T _{SD}	Thermal shutdown			150		°C
	Thermal shutdown hysteresis			20		°C
TIMING RESISTOR AND EXTERNAL CLOCK (RT/CLK PIN)						
f _{SW}	Switching frequency range using RT mode		100		2500	kHz
f _{SW}	Switching frequency	R _{RT} = 200 kΩ	450	581	720	
	Switching frequency range using CLK mode		300		2200	kHz
	Minimum CLK input pulse width			40		ns
	RT/CLK high threshold			1.9	2.2	V
	RT/CLK low threshold		0.5	0.7		V
	RT/CLK falling edge to PH rising edge delay	Measured at 500 kHz with RT resistor in series		60		ns
	Phase loop (PLL) lock-in time	f _{SW} = 500 kHz		100		μs
PWM DIMMING (PDIM)						
V _{IH}	High-level input voltage			1.35	1.55	V
V _{IL}	Low-level input voltage		0.75	0.90		V
THERMAL FOLDBACK PROTECTION (TSENSE)						
	PWM ramp valley voltage		0	100	250	mV
	PWM ramp peak voltage		1.75	1.95	2.15	V
	PWM frequency		3.5	6.0	9.0	kHz
	Current source		70	95	125	μA

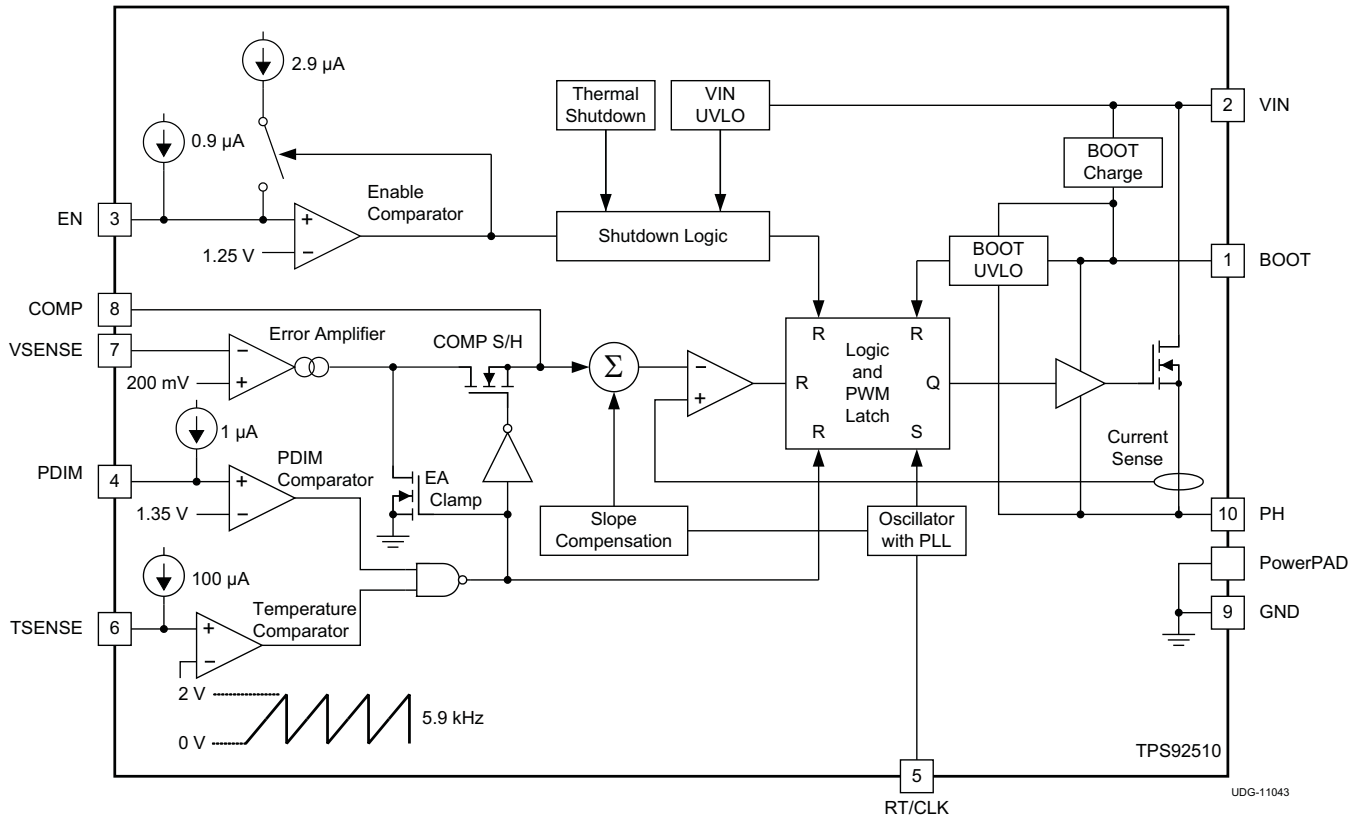
DEVICE INFORMATION



PIN FUNCTIONS

PIN		I/O	DESCRIPTION
NAME	NO.		
BOOT	1	O	A bootstrap capacitor is required between BOOT and PH. If the voltage on this capacitor is below the minimum required by the output device, the output is forced to switch off until the capacitor is refreshed.
COMP	8	O	Error amplifier output, and input to the output switch current comparator. Connect frequency compensation components to this pin.
EN	3	I	Enable pin, internal pull-up current source. Pull below 1.2-V to disable. Float to enable. Adjust the input undervoltage lockout with two resistors.
GND	9	–	Ground
PDIM	4	I	PWM dimming input pin. The duty cycle of the PWM signal linearly controls the average current output of the converter.
PH	10	O	The source of the internal high-side MOSFET.
PowerPAD	Pad	–	GND pin must be electrically connected to the exposed pad on the printed circuit board for proper operation.
RT/CLK	5	I	Resistor timing and external clock. An internal amplifier holds this pin at a fixed voltage when using an external resistor to ground to program the switching frequency. If the pin is pulled above the PLL upper threshold, a mode change occurs and the pin becomes a synchronization input. The internal amplifier is disabled and the pin becomes a high impedance clock input to the internal PLL. If the clocking edges stop, the internal amplifier is re-enabled and the mode returns to the resistor-programmed function.
TSENSE	6	I	Temperature fold-back pin. An NTC thermistor connected from this pin to ground provides a thermal feedback to decrease the average LED current as the sensed LED temperature increases. It is recommended to bypass this pin with a capacitor with a value of 0.01 μ F (or larger) to GND.
VIN	2	I	Input supply voltage, 3.5 V to 60 V.
VSENSE	7	I	Inverting node of the transconductance (g_m) error amplifier.

FUNCTIONAL BLOCK DIAGRAM



TYPICAL CHARACTERISTICS

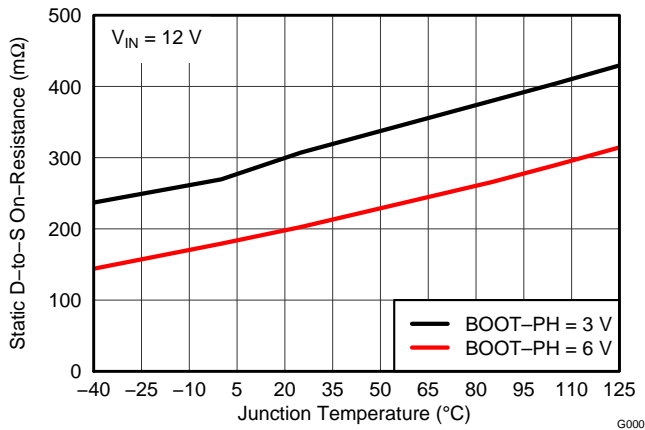


Figure 1. On-Resistance vs. Junction Temperature

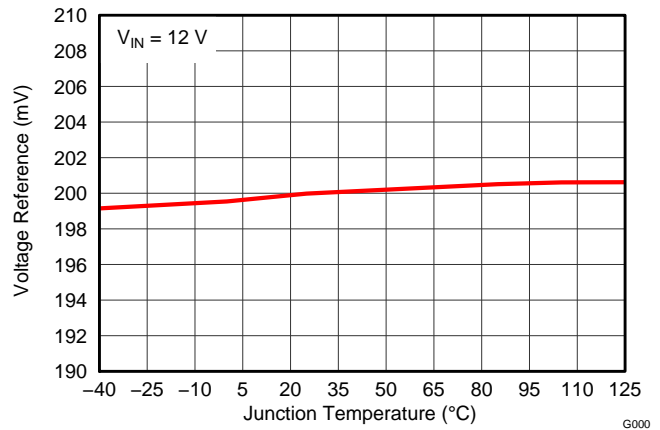


Figure 2. Reference Voltage vs. Junction Temperature

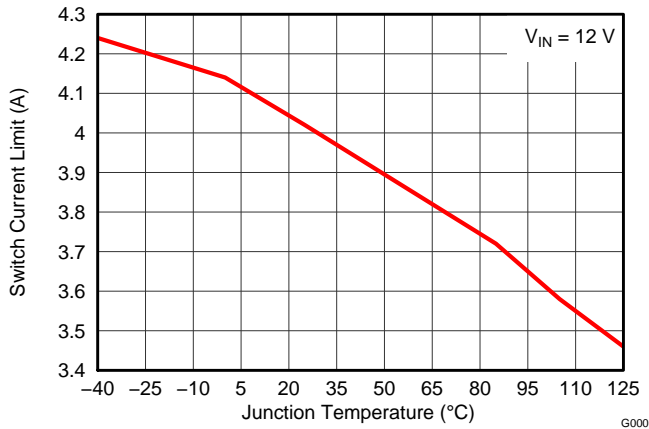


Figure 3. Switch Current vs. Junction Temperature

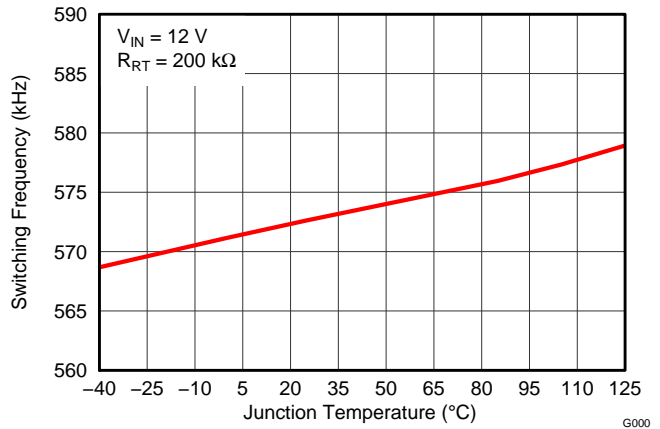


Figure 4. Switching Frequency vs. Junction Temperature

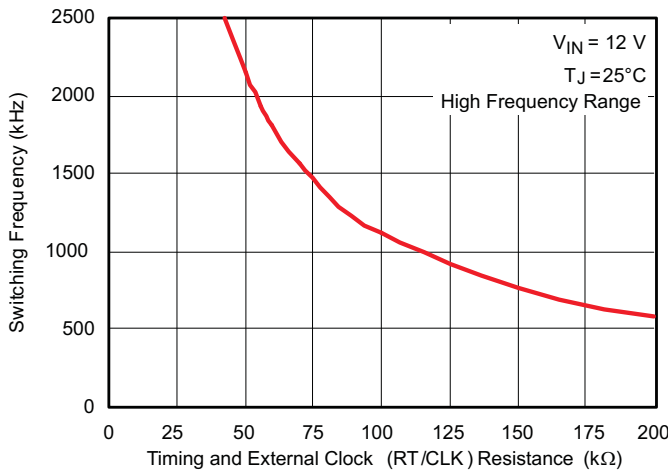


Figure 5. Switching Frequency vs. RT/CLK Resistance

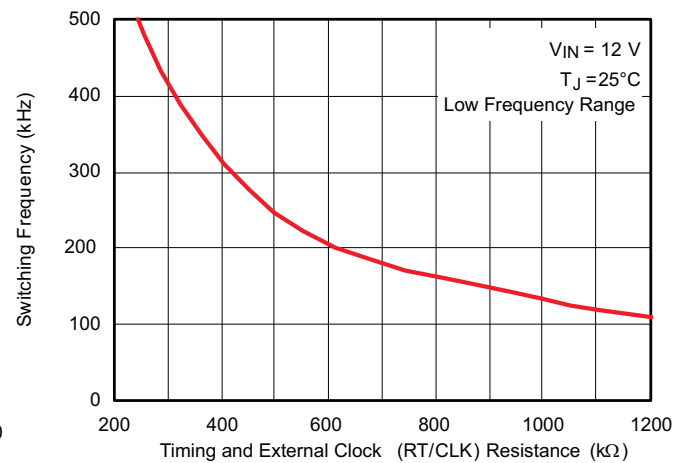


Figure 6. Switching Frequency vs. RT/CLK Resistance

TYPICAL CHARACTERISTICS (continued)

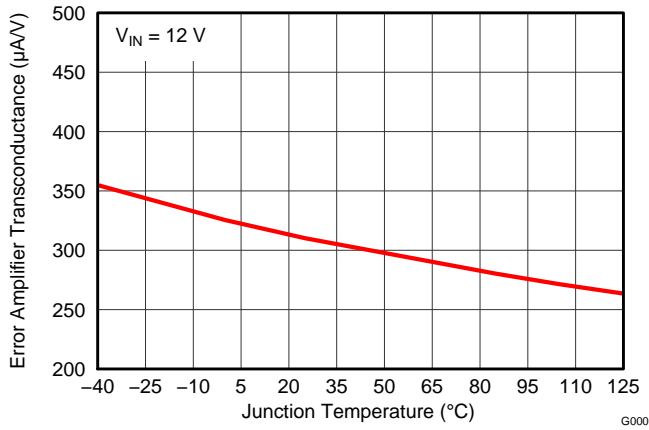


Figure 7. Error Amplifier Transconductance vs. Junction Temperature

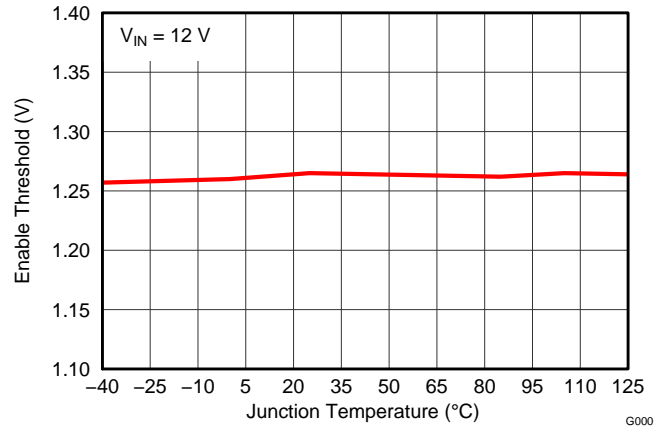


Figure 8. Enable Voltage vs. Junction Temperature

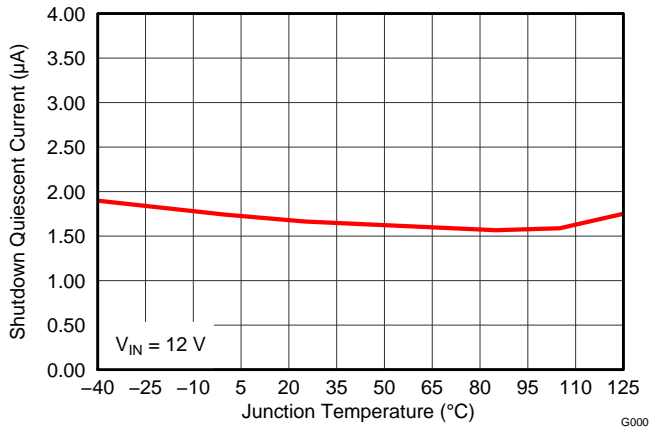


Figure 9. Shutdown Quiescent Current vs. Junction Temperature

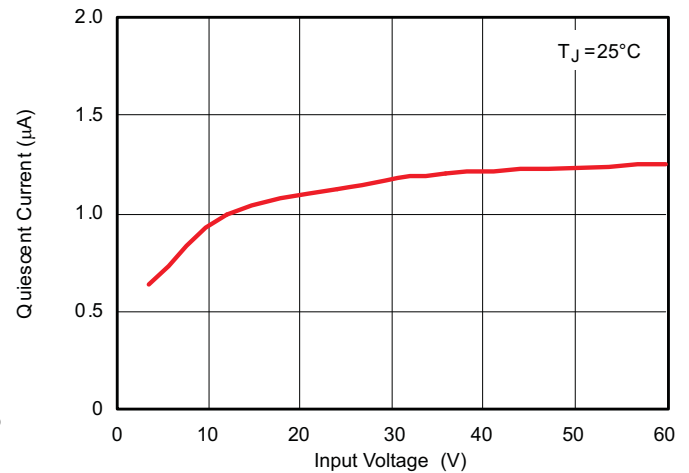


Figure 10. Shutdown Quiescent Current vs. Input Voltage

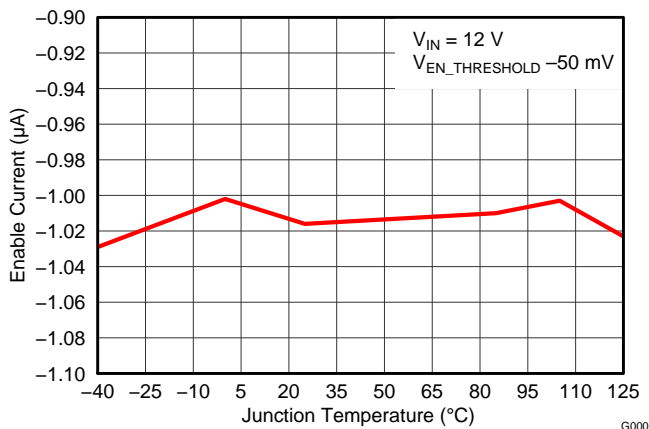


Figure 11. Enable Current vs. Junction Temperature

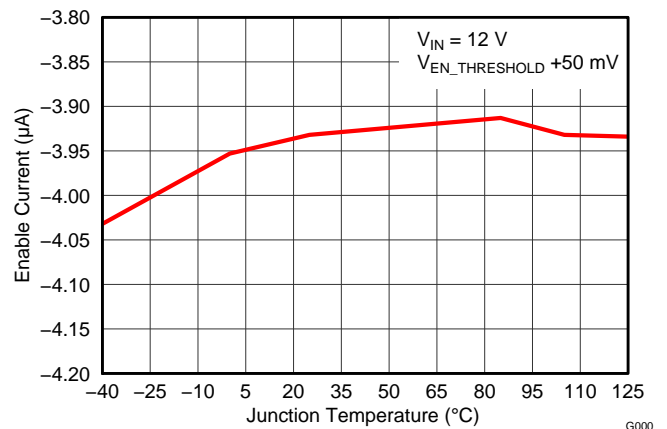


Figure 12. Enable Current vs. Junction Temperature

TYPICAL CHARACTERISTICS (continued)

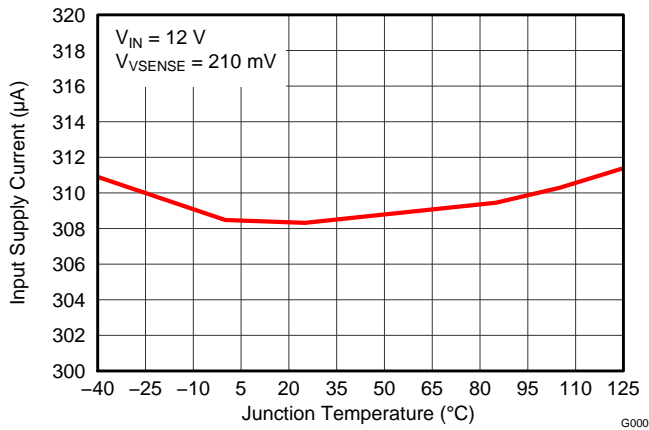


Figure 13. Input Supply Current vs. Junction Temperature

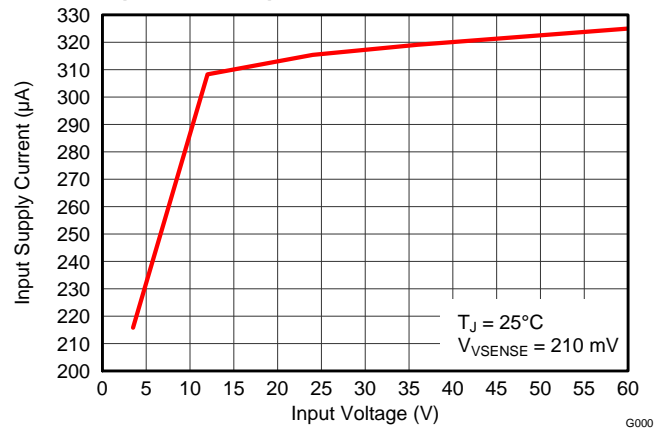


Figure 14. Input Supply Current vs. Input Voltage

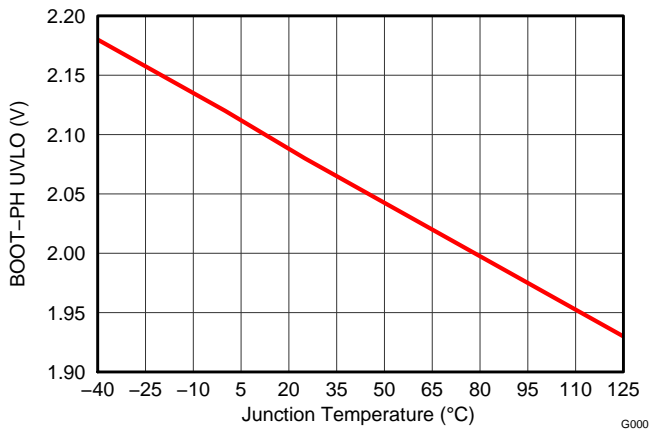


Figure 15. BOOT-PH UVLO vs. Junction Temperature

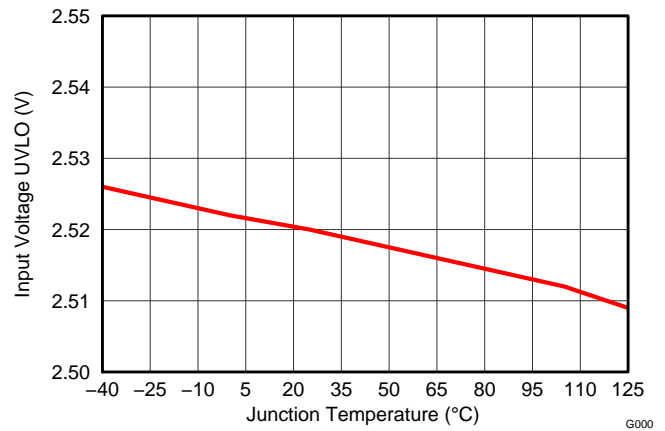


Figure 16. Input Voltage UVLO vs. Junction Temperature

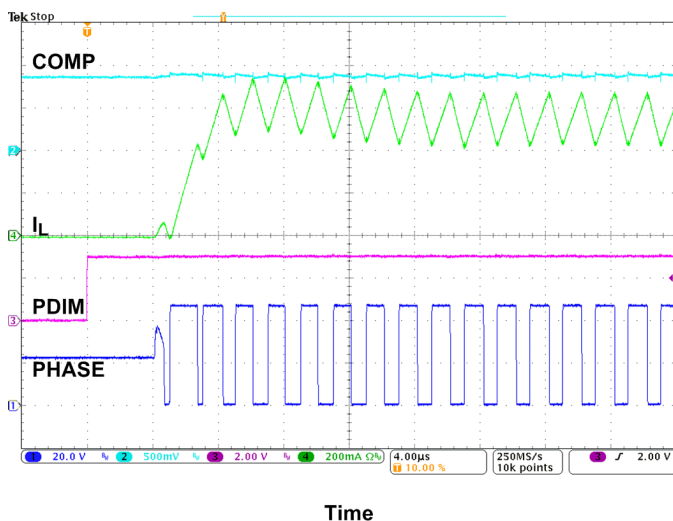


Figure 17. PDIM Rising

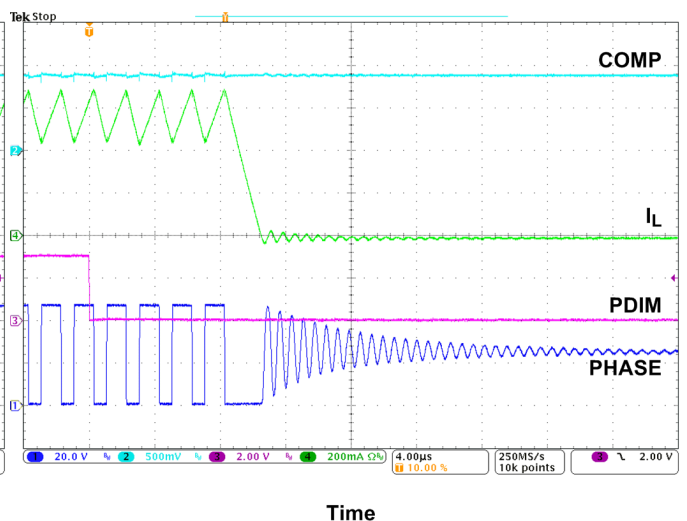
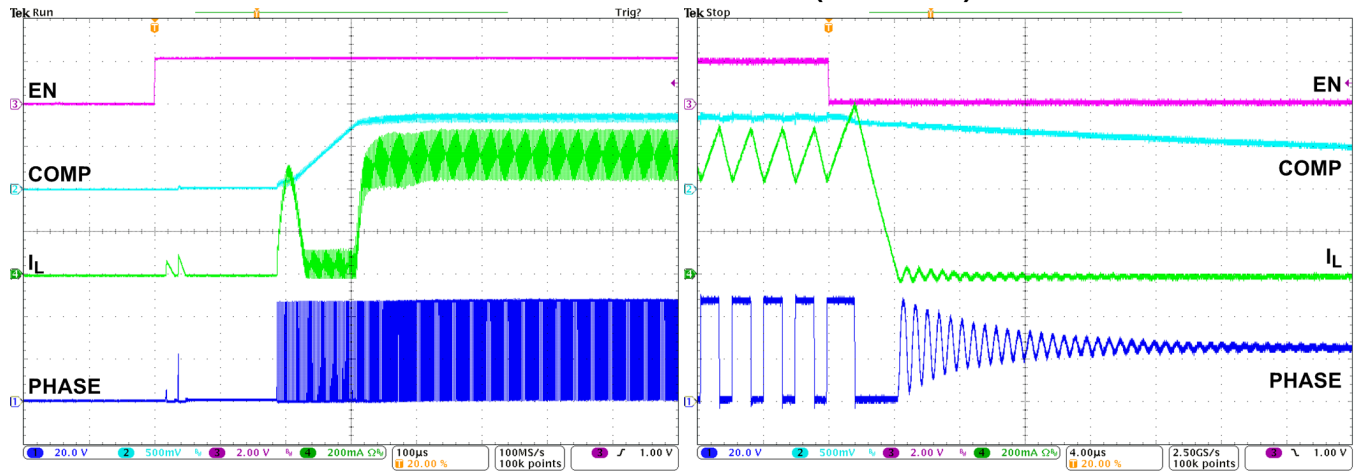


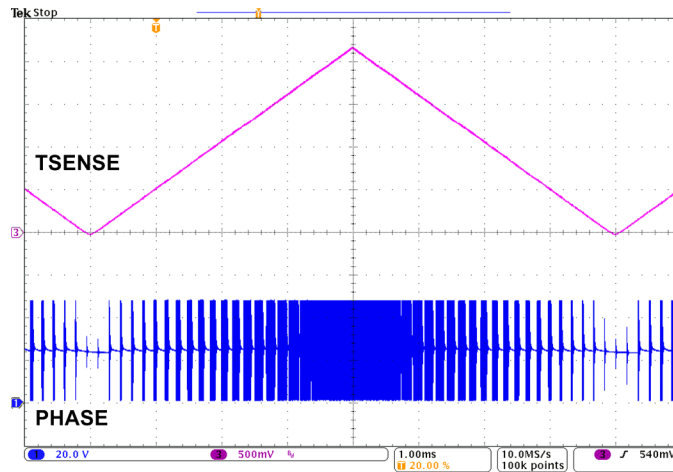
Figure 18. PDIM Falling

TYPICAL CHARACTERISTICS (continued)



Time
Figure 19. Enable Rising

Time
Figure 20. Enable Falling



Time
Figure 21. TSENSE and High-Side MOSFET

OVERVIEW

The TPS92510 is a 60-V, 1.5-A, step-down (buck) regulator with an integrated high-side N-channel MOSFET. To improve performance during line and load transients the device implements a constant frequency, peak-current mode control which reduces output capacitance and simplifies external frequency compensation design. The wide switching frequency of 100 kHz to 2500 kHz allows for efficiency and size optimization when selecting the output filter components. The switching frequency is adjusted using a resistor to ground on the RT/CLK pin. The device has an internal phase lock loop (PLL) on the RT/CLK pin that is used to synchronize the power switch turn on to a falling edge of an external system clock.

The TPS92510 has a default start up voltage of approximately 2.5 V. The EN pin has an internal pull-up current source that can be used to adjust the input voltage under voltage lockout (UVLO) threshold with two external resistors. In addition, the pull up current provides a default condition. When the EN pin is floating the device operates. The operating current is 138 μ A when not switching and under no load. When the device is disabled, the supply current is 1.3 μ A.

The integrated 200 m Ω high-side MOSFET allows for high efficiency power supply designs capable of delivering 1.5 A of continuous current to a load. The TPS92510 reduces the external component count by integrating the boot recharge diode. The bias voltage for the integrated high-side MOSFET is supplied by a capacitor on the BOOT to PH pin. The boot capacitor voltage is monitored by an UVLO circuit and turns the high-side MOSFET off when the boot voltage falls below a preset threshold. The TPS92510 can operate at high duty cycles because of the boot UVLO.

DETAILED DESCRIPTION

Start-Up

The VIN and EN UVLO conditions must be satisfied before the TPS92510 is allowed to switch. When the EN pin is held low the device enters a low-power shutdown mode, and some internal circuits are deactivated to conserve power. When EN returns high these circuits are enabled, which results in a delay of approximately 50 μ s (typical) before switching starts. During start-up the TPS92510 operates in a *minimum pulse width* mode, which is an open-loop control. At the start of each switching cycle the internal oscillator initiates a SET pulse. The high-side MOSFET turns on with a minimum pulse width of 300 ns (typical), independent of the COMP voltage. The device does not pulse skip. While operating in minimum pulse width mode the LED bypass capacitor is being charged, causing an in-rush current. Also, the COMP voltage begins to rise as the error amplifier output current charges the compensation network. When the COMP voltage reaches approximately 0.7 V, the error amplifier is ensured to be out of saturation and to have sufficient gain to regulate the loop. The TPS92510 then transitions from *minimum pulse width* mode to *regulation* mode. During regulation mode the error amplifier is now in closed-loop control of the system. The gain of the error amplifier quickly increases the duty cycle, which causes the output voltage to increase. Once the output voltage approaches the forward voltage of the LED string the LED current quickly begins to increase until it reaches regulation.

There is a slight delay from the time the VIN and EN UVLO conditions are satisfied until the time the error amplifier has control of the feedback loop. This delay is a result of the time it takes COMP to charge the compensation components to 0.7 V. This delay can be approximated as shown in [Equation 1](#).

$$t_{\text{DELAY}} = C1 \times \frac{(0.7 \text{ V} - (R1 \times 32 \mu\text{A}))}{32 \mu\text{A}}$$

where

- C1 is the integrator capacitor from COMP to GND
 - R1 is the resistor in series with the integrator capacitor
- (1)

DETAILED DESCRIPTION (continued)

The peak in-rush current can be calculated to a first approximation using [Equation 2](#).

$$I_{PEAK} = \frac{V_{IN} \times t_{ON(min)} \times f_{SW}}{\sqrt{\frac{L}{C_{OUT}} + R_{SENSE}}}$$

where

- $t_{ON(min)}$ is the minimum on-time and can be between 200 ns and 300 ns (2)

Minimum Pulse Width Limitations

The TPS92510 is designed to output a minimum pulse width during each switching cycle of 280 ns (typical). The control loop cannot regulate the system to an on-time less than this amount, and it does not skip pulses. When attempting to operate below the minimum on-time the system loses regulation and the LED current increases. This puts a practical limitation on the system operating conditions, as shown in [Equation 3](#).

$$V_{IN} = \frac{V_{OUT}}{f_{SW} \times t_{ON(min)}}$$

where

- V_{OUT} equals the forward voltage of the LED string plus the reference voltage (3)

The system can avoid this operating condition by limiting the maximum input voltage as shown in [Equation 3](#). If the input voltage cannot be limited due to application, then the switching frequency can be lowered, or the output voltage increased. This region of operation typically occurs with high input voltages, high operating frequencies, and low output voltages (one LED).

Enable and Adjusting Undervoltage Lockout

The TPS92510 is enabled when the VIN pin voltage is above 2.5 V and when the EN pin voltage is above 1.25 V. The VIN pin voltage threshold has no hysteresis. [Figure 22](#) shows how to use the EN pin to adjust the input voltage UVLO to a higher threshold and increase the input voltage hysteresis. The EN pin has an internal pull-up current source, I1, of 0.9 μA that provides a default ON state when the EN pin is floating. Once the EN pin voltage exceeds 1.25 V, an additional 2.9 μA of hysteresis, IHYS, is added. This additional current provides some input voltage hysteresis. Use [Equation 4](#) to set the external hysteresis for the input voltage. Use [Equation 5](#) to set the input start voltage. When the EN pin is held low the internal regulators are shut down and the device enters a low-power mode. In addition, the error amplifier output discharges the COMP voltage through a diode path to GND.

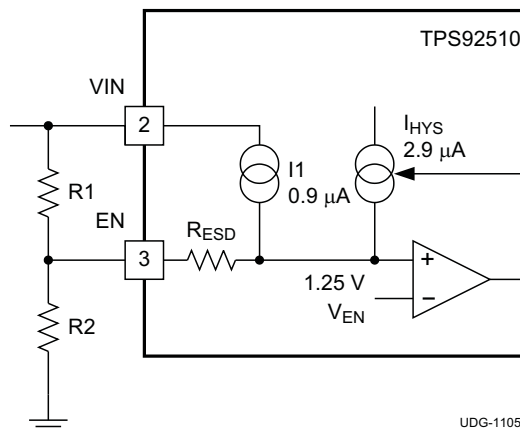


Figure 22. Adjustable Undervoltage Lockout (UVLO)

$$R1 = \frac{V_{HYS} \times (V_{EN} - (I1 \times R_{ESD})) - I_{HYS} \times R_{ESD} \times V_{START}}{I_{HYS} \times V_{EN}} \tag{4}$$

DETAILED DESCRIPTION (continued)

$$R_2 = \frac{R_1 \times (V_{EN} - (R_{ESD} \times (1 + I_{HYS})))}{(V_{STOP} - V_{EN}) + (1 + I_{HYS}) \times (R_1 + R_{ESD})} \quad (5)$$

$$V_{HYS} = V_{START} - V_{STOP} \quad (6)$$

$$R_{ESD} = 10\text{k}\Omega \quad (7)$$

Fixed Frequency PWM Control

The TPS92510 uses an adjustable, fixed-frequency, peak current mode control. Each switching cycle an internal oscillator initiates the turn-on of the MOSFET. The LED current flows through the sense resistor and develops the feedback voltage on the VSENSE pin. The error amplifier output (COMP pin) is compared to the high-side MOSFET current. When the MOSFET current reaches the level set by the COMP pin voltage the MOSFET is turned off.

Slope Compensation

The TPS92510 adds a compensating ramp to the MOSFET current signal. The slope compensation prevents sub-harmonic oscillations. The available peak inductor current remains constant over the full duty-cycle range.

Constant Switching Frequency and Timing Resistor (RT/CLK Pin)

The switching frequency of the TPS92510 is adjustable over a wide range from approximately 100 kHz to 2500 kHz by placing a resistor on the RT/CLK pin. The RT/CLK pin voltage is typically 0.5V and must have a resistor to ground to set the switching frequency. To determine the timing resistance for a given switching frequency, use [Equation 8](#) or the curves in [Figure 5](#) or [Figure 6](#). To reduce the solution size one typically sets the switching frequency as high as possible, but tradeoffs of the supply efficiency, maximum input voltage and minimum controllable on time should be considered. The minimum controllable on time limits the maximum operating input voltage.

$$R_{RT} (\text{k}\Omega) = \frac{206033}{(f_{SW})^{1.0888} (\text{kHz})} \quad (8)$$

$$f_{SW} (\text{kHz}) = \left(\frac{206033}{R_{RT} (\text{k}\Omega)} \right)^{\left(\frac{1}{1.0888} \right)} \quad (9)$$

Synchronization to an External System Clock (RT/CLK)

The RT/CLK pin can be used to synchronize the regulator to an external system clock by connecting a square wave to the RT/CLK pin through the circuit network as shown in [Figure 23](#). The square wave amplitude must transition lower than 0.5 V and higher than 2.2 V on the RT/CLK pin and have an on-time greater than 40 ns and an off-time greater than 40 ns. The synchronization frequency range is 300 kHz to 2200 kHz. The rising edge of the PH is synchronized to the falling edge of RT/CLK pin signal. The external synchronization circuit default frequency is set by connecting the resistor from the RT/CLK pin to ground should the synchronization signal turn off. It is recommended to use a frequency set resistor connected as shown in [Figure 23](#) through a 50-Ω resistor to ground.

The resistor should set the switching frequency close to the external CLK frequency. It is recommended to ac couple the synchronization signal through a 470-pF ceramic capacitor to RT/CLK pin and a 4-kΩ series resistor. The series resistor reduces PH jitter in heavy load applications when synchronizing to an external clock and in applications which transition from synchronizing to RT mode. The first time the CLK is pulled above the CLK threshold the device switches from the RT resistor frequency to PLL mode. The internal 0.5-V voltage source is removed and the CLK pin becomes high impedance as the PLL starts to lock onto the external signal. Since there is a PLL on the regulator the switching frequency can be higher or lower than the frequency set with the external resistor. The device transitions from the resistor mode to the PLL mode and then increases or decreases the switching frequency until the PLL locks onto the CLK frequency within 100 microseconds.

When the device transitions from the PLL to resistor mode, the switching frequency slows down from the CLK frequency to 150 kHz, then reapply the 0.5-V voltage and the resistor then sets the switching frequency. It is not recommended that a system transition from PLL mode to resistor mode repeatedly during operation. When the PLL loses the external clock input the default 150-kHz switching frequency creates long on-times, which result in higher inductor ripple currents. This can lead to inductor saturation if the system is not designed to operate at this frequency. Figure 24, shows the device synchronized to an external system clock in continuous conduction mode (CCM).

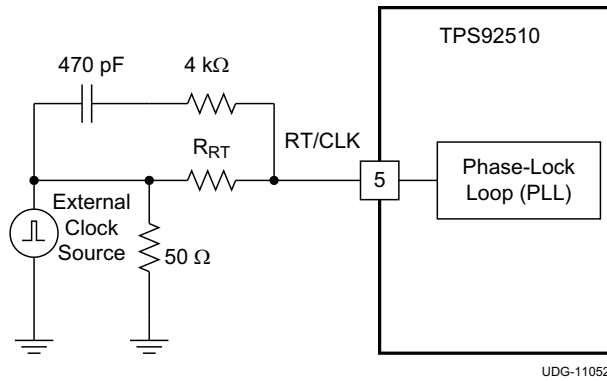


Figure 23. Synchronizing to a System Clock

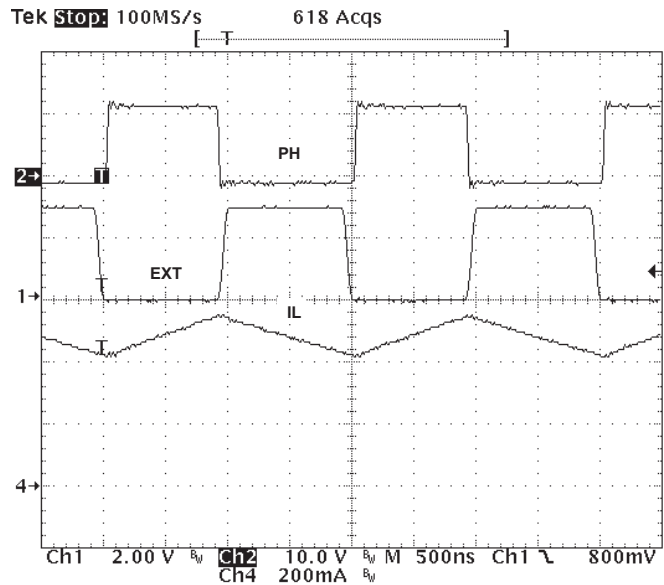


Figure 24. Plot of Synchronizing in CCM

Error Amplifier

The TPS92510 error amplifier is a transconductance amplifier. It compares the VSENSE voltage to the internal 0.2-V voltage reference. The transconductance (gm) of the error amplifier is 310 $\mu\text{A/V}$. The frequency compensation components are connected from the COMP pin to ground.

Voltage Reference and Output Current

The internal voltage reference is accurate to $\pm 5\%$ over temperature. The LED current is programmed with a sense resistor from the VSENSE pin to GND. It is recommended to use a 1% tolerance resistor, or better.

PWM Dimming

The TPS92510 incorporates a PWM dimming input pin, which directly controls the enable/disable state of the internal gate driver. When PDIM is low, the gate driver is disabled. The PDIM pin has a 1- μA pull-up current source, which creates a default ON state when the PDIM pin is floating. When PDIM goes low and the gate driver shuts off, and the LED current quickly reduces to zero.

The TPS92510 uses a sample-and-hold switch on the error amplifier output. During the PDIM off-time the COMP voltage remains unchanged. Also, the error amplifier output is internally clamped low. These techniques help the system recover to its regulation duty cycle quickly.

Duty Cycle and Bootstrap Voltage (BOOT)

The TPS92510 requires a small 0.1- μF ceramic capacitor between the BOOT and PH pins to provide the gate drive voltage for the high-side MOSFET. The BOOT capacitor is refreshed when the high-side MOSFET turns off, and the freewheeling diode conducts. A ceramic capacitor with an X7R or X5R dielectric and a minimum voltage rating of 10 V is recommended.

The TPS92510 is designed to operate up to 100% duty cycle as long as the BOOT to PH voltage is greater than 2.1V. If the BOOT capacitor voltage drops below 2.1 V, then the BOOT UVLO circuit turns off the MOSFET, which allows the BOOT capacitor to be refreshed. The current required from the BOOT capacitor to keep the MOSFET on is quite low. Therefore, many switching cycles occur before the BOOT capacitor is refreshed. In this way, the effective duty cycle of the converter is quite high.

Attention must be taken in maximum duty cycle applications which experience extended time periods with little or no load current. When the voltage across the BOOT capacitor falls below the 2.1 V UVLO threshold, the high-side MOSFET is turned off, but there may not be enough inductor current to pull the PH pin down to recharge the BOOT capacitor. The high-side MOSFET of the regulator stops switching because the voltage across the BOOT capacitor is less than 2.1 V. The output capacitor then decays until the difference between the input voltage and output voltage is greater than 2.1 V, at which point the BOOT UVLO threshold is exceeded, and the device starts switching again until the desired output current is reached. This operating condition persists until the input voltage and/or the load current increases. It is recommended to adjust the VIN stop voltage greater than the BOOT UVLO trigger condition at the minimum load of the application using the adjustable VIN UVLO feature with resistors on the EN pin.

Overcurrent Protection

An overcurrent fault condition is unlikely. It can be the result of a shorted sense resistor, or a direct short from VOUT to GND. In either case, the voltage at the VSENSE pin is zero, and this causes the COMP pin voltage to rise. When V_{COMP} reaches approximately 2.2 V it is internally clamped, and functions as a MOSFET current limit. The TPS92510 limits the MOSFET current to 4 A (typical). If the shorted condition persists the TPS92510 junction temperature increases. If it increases above 150°C, the thermal shutdown protection is activated.

LED Thermal Foldback Protection

The TPS92510 implements a thermal foldback protection to limit the LED temperature in case of a system failure, such as an incorrectly programmed LED current, a poor thermal design or increasing thermal impedance over time. A 100- μ A current source generates a voltage across an NTC resistor that is located near the LED load. When the NTC voltage drops below 2 V at the TSENSE pin (due to excessive LED temperature) the device begins to modulate the converter at a frequency of 5.9 kHz. The more the NTC voltage drops, the longer the off-time of the converter. Therefore, the delivered output power is reduced until the NTC cools, the TSENSE voltage (V_{TSENSE}) increases, and the system no longer requires reduced output power. The thermal foldback protection slowly reduces the output power, as a function of the thermal time constant. Thermal foldback protection is intended for protection only. It is not intended to be used as a regulation feature. During thermal foldback the error amplifier output is internally clamped low, and the COMP sample-and-hold switch is open, preserving the COMP pin voltage.

Figure 25 shows the thermal foldback linearity.

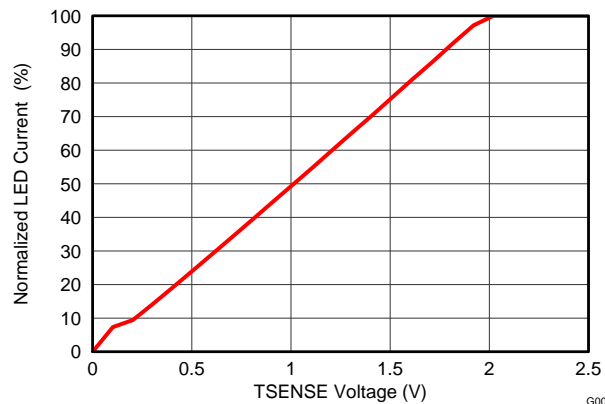


Figure 25. Thermal Foldback Linearity

Over-Temperature Fault Protection

When the TPS92510 junction temperature reaches 150°C, the driver immediately disables the high-side MOSFET. The COMP sample-and-hold switch closes, and the COMP pin internally clamps low until the junction temperature drops by approximately 20°C. At this time, the COMP clamp is removed and the driver attempts to regulate.

APPLICATION INFORMATION

Open LED Fault Protection

An open circuit can be the result of an open LED or an open wire connection. In either case, the voltage at the VSENSE pin becomes zero, and this causes the COMP pin voltage to rise, commanding wide duty cycles. The output voltage eventually rises to the input voltage. This is a safe operating mode, provided that the output capacitors are rated for the input voltage potential.

As shown in [Figure 26](#), a transient voltage suppressor (TVS) device from V_{OUT} to GND, or a diode from V_{OUT} to the VIN pin can be used to clamp the L-C resonant output voltage ringing caused by the inductor and the output capacitor at the moment the LED string opens, particularly at high-input voltage and high-output voltage operating conditions. The TVS should have a voltage rating greater than the maximum output voltage, so that it does not conduct under normal operation. Either of these devices can be used to limit the output voltage to safe levels during an open LED fault.

If the current sense resistor also opens, current attempts to flow into the ESD structure of the VSENSE pin. To prevent damage to the device, a series resistor (R_{ESD}) on the VSENSE pin can be used to limit this current. The VSENSE pin has an internal, 8-V clamp, and the continuous current should be limited to a maximum of 20 mA.

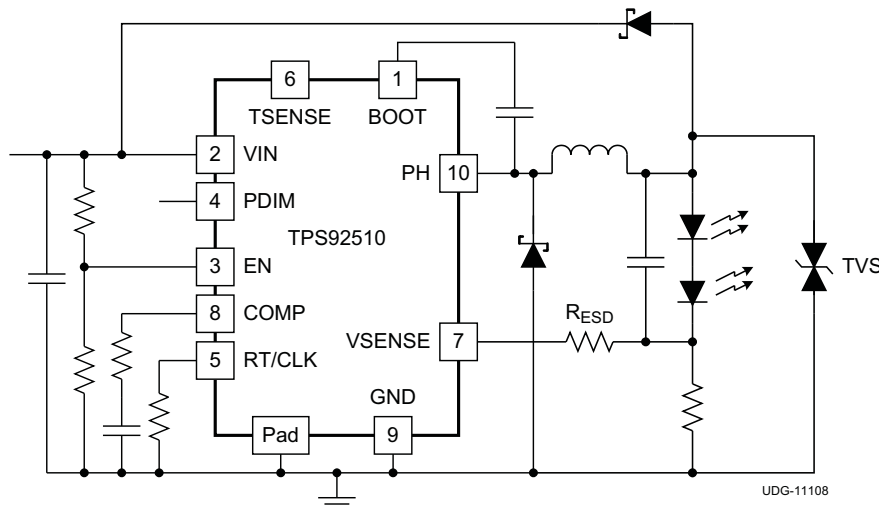


Figure 26. Output Voltage Clamp

An external overvoltage protection circuit consisting of V_Z and R_Z shown in [Figure 27](#), can be applied to the VSENSE pin to regulate the output voltage to less than the input voltage potential.

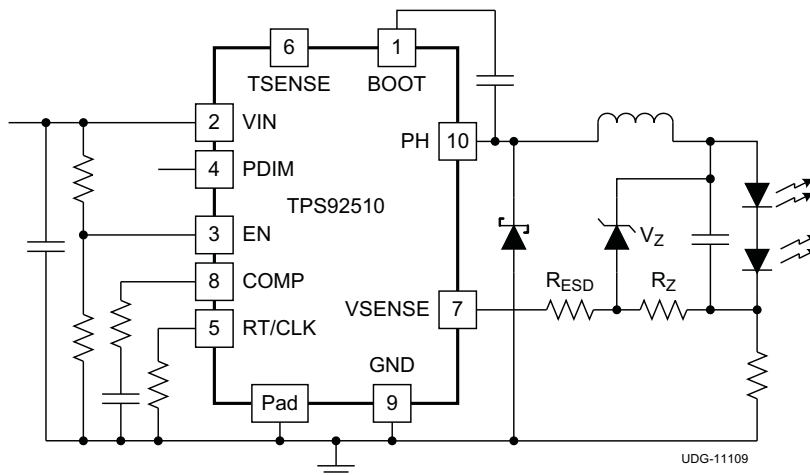


Figure 27. Output Voltage Limiter

Shorted LED(s) Fault Protection

Some LEDs fail to a shorted state. It is unlikely that multiple LEDs fail short simultaneously. If a bypass capacitor is in parallel with the LED string it is charged to the LED string forward voltage. When one or more LEDs instantaneously short, the bypass capacitor senses a voltage transient from the initial LED string voltage to something less, depending on the number of LEDs that are now shorted. The voltage change across the capacitor causes the capacitor to discharge some energy in the form of a transient current through the LED string. This current flows from the bypass capacitor through the LED string, but not through the current sense resistor. Therefore, the TPS92510 does not sense the fault event, and does not respond to it. The peak transient current is a function of the change in forward voltage due to the shorted LED(s), and the dynamic resistance of the LED string at the moment the short occurs. This current can be substantial, and may require a protection circuit as shown in Figure 28, unless the LEDs can survive the transient current. After the LED has shorted the error amplifier continues to regulate the programmed LED current at the new, lower output voltage.

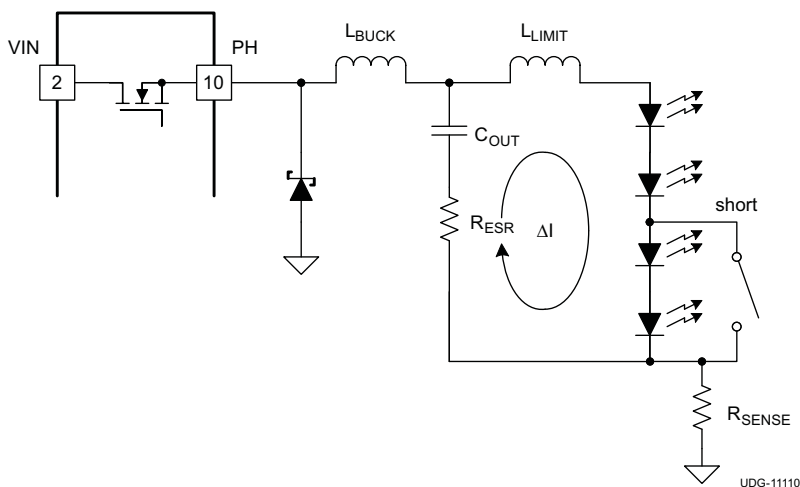


Figure 28. LED Current Limiter Due to a Shorted LED

Equation 10 shows how to reduce the peak transient current (ΔI) by adding a series inductance (L_{LIMIT}). Typically, the bypass capacitor (C_{OUT}) is used to reduce the high-frequency ripple current through the LED. Adding inductance into this path is counter productive. Alternatively, the buck inductance, or switching frequency can be increased to achieve a lower LED ripple current. In this way, the output capacitor can be reduced in value, which allows L_{LIMIT} to be smaller. The end result of low LED ripple current can still be achieved. Reducing the output capacitor (C_{OUT}) does not reduce the magnitude of the transient current, but it does reduce the settling time.

$$\Delta I = \frac{\Delta V_F}{R_{DYNAMIC} + R_{ESR} + \sqrt{\frac{L_{LIMIT}}{C_{OUT}}}} \quad (10)$$

Open Current Sense Resistor Fault Protection

An open current sense resistor is unlikely, but may be caused by a failing resistor, an open solder joint, or an open PCB trace. As the current sense resistor opens, the output voltage quickly rises due to the energy stored in the inductor, similar to an open LED fault. Therefore, it is necessary to clamp the output voltage, either with a TVS to GND or a diode from VOUT to VIN. It is also necessary to use a current limiting resistor on the VSENSE pin. Otherwise, the output voltage spike causes the VSENSE voltage to break down its internal ESD structure. The ESD device should be limited to 20 mA. In this condition, the converter attempts to regulate the output current through the ESD structure, which results in a very low regulated current. Typically, the output voltage overcharges and holds the VSENSE voltage high within a few switching cycles. The device stops switching, and there is a long off-time between consecutive start-up attempts. The consecutive attempts result in lower peak current through the ESD structure than the initial event.

Shorted Output Fault

A shorted output fault is considered rare, because the system does not require any single component from VOUT to GND. Therefore, a single component failure cannot cause this fault condition. If this failure mode were to occur it would most likely be due to a mechanical short, or a foreign object. In the unlikely event of this failure mode, the TPS92510 responds in the following way.

With the output voltage shorted directly to ground the COMP voltage saturates high, because the feedback voltage is zero. The controller would naturally command wide duty cycle PH pulses. However, as soon as the gate driver turns on, very quickly an overcurrent event is detected and the PH pulse is truncated. This results in minimum on-time pulses at the PH node. Depending upon the impedance of the short, large currents can build up in the inductor, which naturally raises the junction temperature of the TPS92510. The over-temperature protection feature protects the device.

Control-to-Output Transfer Function

The TPS92510 converter uses peak current mode control in order to regulate the average LED current. Slope compensation is utilized internally to eliminate sub-harmonic oscillations over a wide range of operating duty cycles. To properly compensate the closed-loop system the control to output gain characteristics must be calculated. The control to output transfer function is shown in Equation 11.

$$G_{C2O}(s) = \frac{167 \times 10^{-6} \times f_M \times R_{SENSE} \times G_i(s)}{1 + 17 \times 10^{-6} \times f_M \times G_i(s) \times H_e(s) - f_M \times G_V \times G_i(s) \times Z_{OUT}(s)}$$

where

- R_{SENSE} is the LED current sense resistance (11)

$$f_M = \frac{117 \times 10^3 \times L \times f_{SW}}{V_{IN} - V_{OUT} + 3 \times f_{SW} \times L}$$

where

- L is the output inductance
- f_{SW} is the switching frequency in Hz (12)

$$G_i(s) = \frac{V_{IN}}{s \times L + R_{DCR} + R_{SENSE} + \frac{\left(R_{ESR} + \frac{1}{s \times C_{OUT}} \right) \times R_{LED}}{\left(R_{ESR} + \frac{1}{s \times C_{OUT}} \right) + R_{LED}}}$$

where

- R_{DCR} is the DC resistance of the output inductor
- C_{OUT} is the output capacitance.
- R_{ESR} is the equivalent series resistance of the output capacitor
- R_{LED} is the dynamic resistance of the entire LED string and is dependent upon the LED current (I_{LED})

$$H_e(s) = 1 + \frac{s}{-2 \times f_{SW}} + \frac{s^2}{(\pi \times f_{SW})^2}$$

$$G_V = \frac{V_{OUT}}{117.2 \times 10^3 \times L \times V_{IN} \times f_{SW}}$$

$$Z_{OUT} = \frac{R_{LED} \times \left(R_{ESR} + \frac{1}{s \times C_{OUT}} \right)}{R_{LED} + R_{ESR} + \left(\frac{1}{s \times C_{OUT}} \right)} + R_{SENSE}$$

$$V_{OUT} = V_F \times n + 0.2V$$

where

- V_F is the forward voltage of an individual LED
- n is the number of LEDs in the string

The control-to-output transfer function can be understood best by plotting it using a computer aided mathematics program such as Mathcad. The resulting plot shows that the control to output DC gain is typically very low, which can also be computed with [Equation 18](#).

$$G_{DC} = \frac{167 \times V_{IN} \times f_M \times R_{SENSE}}{17 \times V_{IN} \times f_M + 1000000 \times (R_{DCR} + R_{SENSE} + R_{LED} - f_M \times V_{IN} \times G_V \times (R_{SENSE} + R_{LED}))}$$

Compensating the Loop

The control-to-output transfer function is compensated by the error amplifier in order to accomplish the following functions.

- more DC gain is required for better current regulation
- more bandwidth is desired for better PWM dimming and transient performance
- adequate phase margin is needed for system stability

The TPS92510 utilizes peak current mode control, which effectively reduces the power stage's second order pole to a first order pole. A single pole power stage can be compensated easily with a single capacitor from COMP to GND, which forms a dominate pole. This compensation topology is referred to as Type I and is shown in [Figure 29](#). In most applications, a Type I compensation network can be used when a low cross-over frequency (typically less than 10 kHz) is desired. [Equation 19](#) calculates the required capacitance from the COMP pin to GND in order to achieve a desired cross-over frequency (f_{CO}), knowing the DC gain of the power stage (G_{DC}).

Type I Compensation

$$C1 = \frac{g_{M(ea)} \times G_{DC}}{2 \times \pi \times f_{CO}}$$

The compensated loop gain is equal to the control to output transfer function multiplied by the error amplifier transfer function as shown in Equation 20.

$$G_{CL} = G_{C2O} \times G_{EA} \tag{20}$$

$$G_{EA} = \frac{g_{M(ea)}}{s \times C1} \tag{21}$$

The transconductance gain of the error amplifier ($g_{M(ea)}$) is 310 $\mu A/V$.

Type II Compensation

When using PWM dimming, it is beneficial to extend the loop bandwidth beyond 10 kHz. In this case, a Type II compensation topology can be used. The gain of the error amplifier changes as shown in Equation 22.

$$G_{EA} = g_{M(ea)} \frac{1 + (s \times R1 \times C1)}{s \times (C1 + C2) + (s^2 \times R1 \times C1 \times C2)} \tag{22}$$

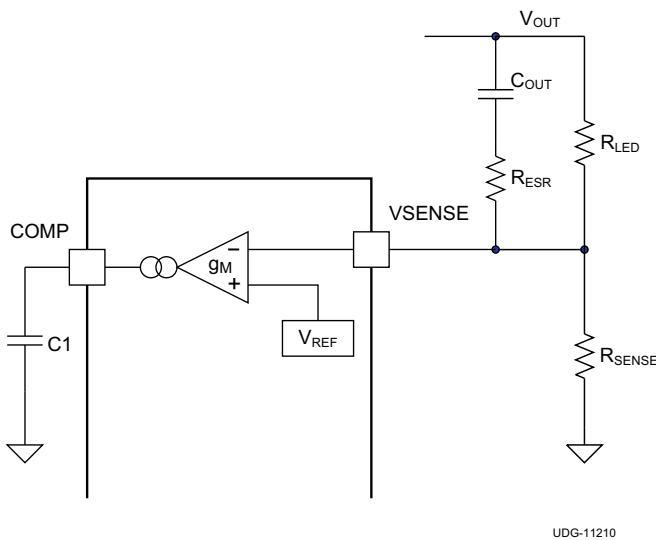


Figure 29. Type I Compensation

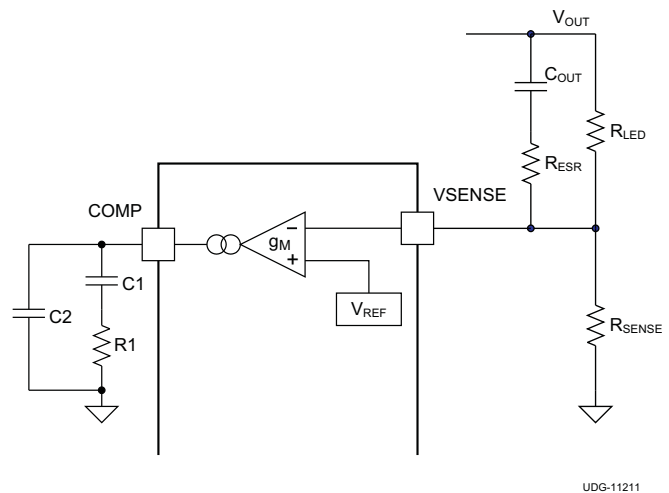


Figure 30. Type II Compensation

Knowing the desired cross-over frequency (f_{CO}) and the power stage DC gain (G_{DC}), the error amplifier can be easily compensated with a Type II network. Equation 23 through Equation 25 show some simple approximations for the compensation values. Capacitor C1 has the biggest influence on the cross-over frequency and low-frequency gain. Resistor R1 creates a zero in the error amplifier transfer function, which improves the phase margin particularly near the cross-over frequency. Capacitor C2 creates a high-frequency pole to reduce gain beyond the cross-over frequency.

$$C1 = \frac{g_{M(ea)} \times G_{DC}}{2 \times \pi \times f_{CO}} \tag{23}$$

$$R1 = \frac{1}{2\pi \times K \times f_{CO} \times C1}$$

where

- K is a multiplier of the desired cross-over frequency (24)

$$C2 = \frac{C1}{10} \tag{25}$$

For reference, the error amplifier zero frequency and high-frequency pole equations are shown in Equation 26 through Equation 27.

$$f_{EA(\text{zero})} = \frac{1}{2\pi \times R1 \times C1} \quad (26)$$

$$f_{EA(\text{pole})} = \frac{1}{2\pi \times R1 \times \left(\frac{C1 \times C2}{C1 + C2} \right)} \cong \frac{1}{2\pi \times R1 \times C2} \quad (27)$$

The compensation equations above are given as a guideline. It is strongly recommended to verify the closed loop response for adequate gain and phase margin by directly measuring the circuit. The value of C1 is inversely proportional to the closed loop bandwidth of the system: as C1 decreases, the loop bandwidth increases. If the measured loop gain is too high, increase the value of C1 and recalculate R1 and C2. For a Type II compensation network a good cross-over frequency target is between 10 kHz and 50 kHz, but should not exceed one-fifth (1/5) of the switching frequency (f_{SW}).

When calculating the value of R1 the K multiplier must be chosen. Typically, this value is between 1.5 and 4. A good starting value for K is 2 or 3. This places the error amplifier zero frequency two or three times higher than the desired cross-over frequency. When measuring the loop response, if additional phase margin is needed the K value can be reduced, resulting in a larger R1 value. Alternatively, as the K multiplier increases beyond 4 the value of R1 becomes so small that its benefit to phase margin becomes insignificant, and the error amplifier performance begins to approach a Type I network.

Changes from Original (JANUARY 2012) to Revision A

Page

-
- Changed corrected y-axis label on [Figure 8](#) 8
 - Changed corrected test condition on [Figure 14](#) 9
-

PACKAGING INFORMATION

Orderable Device	Status (1)	Package Type	Package Drawing	Pins	Package Qty	Eco Plan (2)	Lead/Ball Finish	MSL Peak Temp (3)	Op Temp (°C)	Top-Side Markings (4)	Samples
TPS92510DGQ	ACTIVE	MSOP-PowerPAD	DGQ	10	80	Green (RoHS & no Sb/Br)	CU NIPDAU	Level-1-260C-UNLIM	-40 to 125	92510	Samples
TPS92510DGQR	ACTIVE	MSOP-PowerPAD	DGQ	10	2500	Green (RoHS & no Sb/Br)	CU NIPDAU	Level-1-260C-UNLIM	-40 to 125	92510	Samples

(1) The marketing status values are defined as follows:

ACTIVE: Product device recommended for new designs.

LIFEBUY: TI has announced that the device will be discontinued, and a lifetime-buy period is in effect.

NRND: Not recommended for new designs. Device is in production to support existing customers, but TI does not recommend using this part in a new design.

PREVIEW: Device has been announced but is not in production. Samples may or may not be available.

OBSOLETE: TI has discontinued the production of the device.

(2) Eco Plan - The planned eco-friendly classification: Pb-Free (RoHS), Pb-Free (RoHS Exempt), or Green (RoHS & no Sb/Br) - please check <http://www.ti.com/productcontent> for the latest availability information and additional product content details.

TBD: The Pb-Free/Green conversion plan has not been defined.

Pb-Free (RoHS): TI's terms "Lead-Free" or "Pb-Free" mean semiconductor products that are compatible with the current RoHS requirements for all 6 substances, including the requirement that lead not exceed 0.1% by weight in homogeneous materials. Where designed to be soldered at high temperatures, TI Pb-Free products are suitable for use in specified lead-free processes.

Pb-Free (RoHS Exempt): This component has a RoHS exemption for either 1) lead-based flip-chip solder bumps used between the die and package, or 2) lead-based die adhesive used between the die and leadframe. The component is otherwise considered Pb-Free (RoHS compatible) as defined above.

Green (RoHS & no Sb/Br): TI defines "Green" to mean Pb-Free (RoHS compatible), and free of Bromine (Br) and Antimony (Sb) based flame retardants (Br or Sb do not exceed 0.1% by weight in homogeneous material)

(3) MSL, Peak Temp. -- The Moisture Sensitivity Level rating according to the JEDEC industry standard classifications, and peak solder temperature.

(4) Multiple Top-Side Markings will be inside parentheses. Only one Top-Side Marking contained in parentheses and separated by a "~" will appear on a device. If a line is indented then it is a continuation of the previous line and the two combined represent the entire Top-Side Marking for that device.

Important Information and Disclaimer: The information provided on this page represents TI's knowledge and belief as of the date that it is provided. TI bases its knowledge and belief on information provided by third parties, and makes no representation or warranty as to the accuracy of such information. Efforts are underway to better integrate information from third parties. TI has taken and continues to take reasonable steps to provide representative and accurate information but may not have conducted destructive testing or chemical analysis on incoming materials and chemicals. TI and TI suppliers consider certain information to be proprietary, and thus CAS numbers and other limited information may not be available for release.

In no event shall TI's liability arising out of such information exceed the total purchase price of the TI part(s) at issue in this document sold by TI to Customer on an annual basis.

TAPE AND REEL INFORMATION



QUADRANT ASSIGNMENTS FOR PIN 1 ORIENTATION IN TAPE



*All dimensions are nominal

Device	Package Type	Package Drawing	Pins	SPQ	Reel Diameter (mm)	Reel Width W1 (mm)	A0 (mm)	B0 (mm)	K0 (mm)	P1 (mm)	W (mm)	Pin1 Quadrant
TPS92510DGQR	MSOP-Power PAD	DGQ	10	2500	330.0	12.4	5.3	3.4	1.4	8.0	12.0	Q1

TAPE AND REEL BOX DIMENSIONS

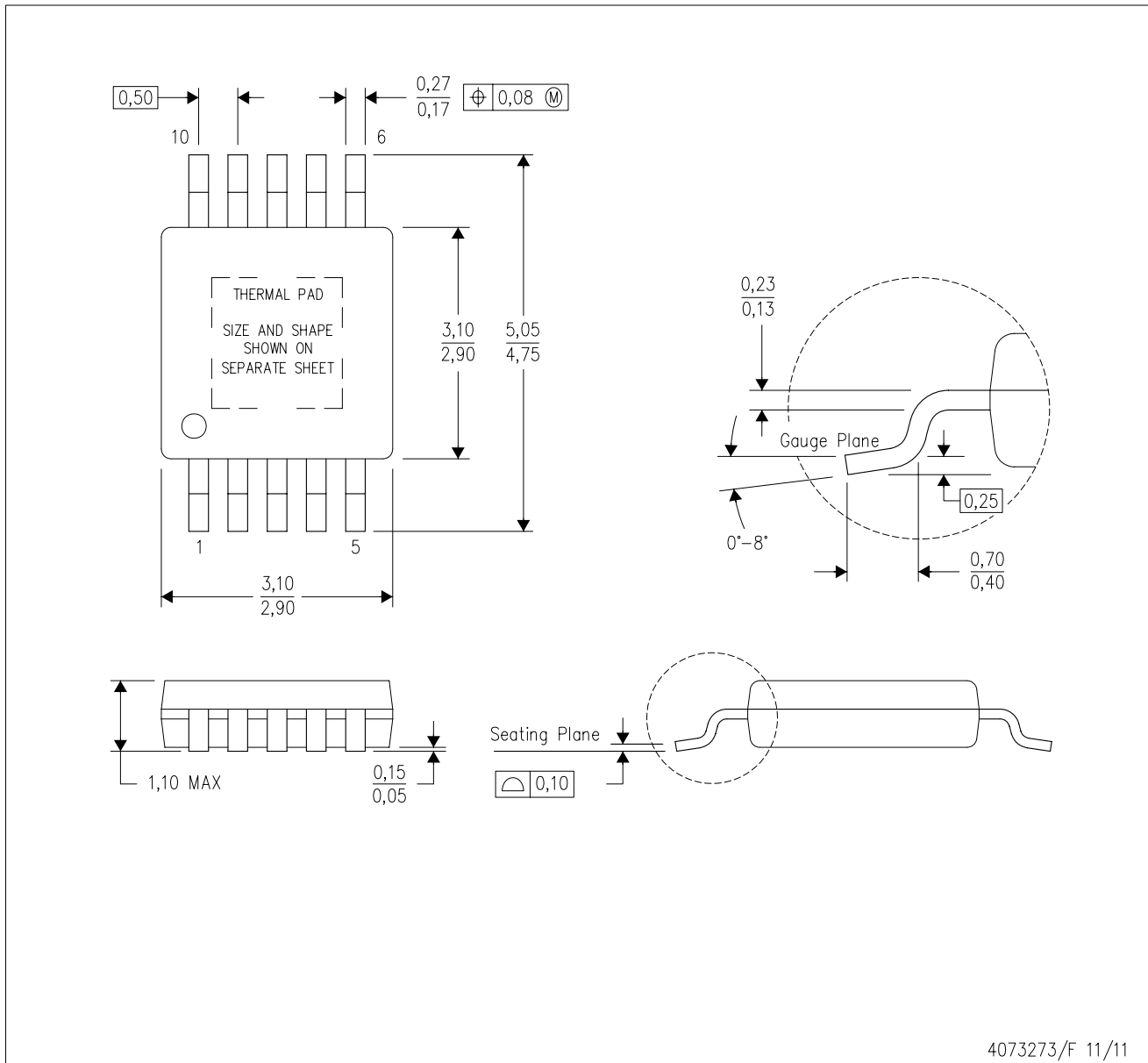


*All dimensions are nominal

Device	Package Type	Package Drawing	Pins	SPQ	Length (mm)	Width (mm)	Height (mm)
TPS92510DGQR	MSOP-PowerPAD	DGQ	10	2500	358.0	335.0	35.0

DGQ (S-PDSO-G10)

PowerPAD™ PLASTIC SMALL OUTLINE



- NOTES:
- A. All linear dimensions are in millimeters.
 - B. This drawing is subject to change without notice.
 - C. Body dimensions do not include mold flash or protrusion not to exceed 0,15.
 - D. This package is designed to be soldered to a thermal pad on the board. Refer to Technical Brief, PowerPad Thermally Enhanced Package, Texas Instruments Literature No. SLMA002 for information regarding recommended board layout. This document is available at www.ti.com <<http://www.ti.com>>.
 - E. See the additional figure in the Product Data Sheet for details regarding the exposed thermal pad features and dimensions.
 - F. Falls within JEDEC MO-187 variation BA-T.

PowerPAD is a trademark of Texas Instruments.

DGQ (S-PDSO-G10)

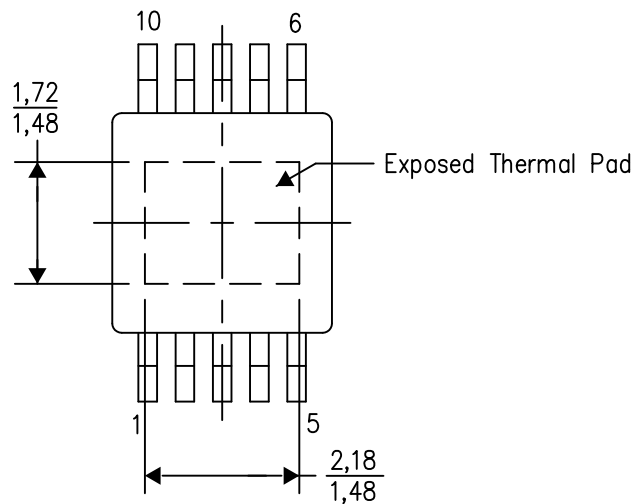
PowerPAD™ PLASTIC SMALL OUTLINE

THERMAL INFORMATION

This PowerPAD™ package incorporates an exposed thermal pad that is designed to be attached to a printed circuit board (PCB). The thermal pad must be soldered directly to the PCB. After soldering, the PCB can be used as a heatsink. In addition, through the use of thermal vias, the thermal pad can be attached directly to the appropriate copper plane shown in the electrical schematic for the device, or alternatively, can be attached to a special heatsink structure designed into the PCB. This design optimizes the heat transfer from the integrated circuit (IC).

For additional information on the PowerPAD package and how to take advantage of its heat dissipating abilities, refer to Technical Brief, PowerPAD Thermally Enhanced Package, Texas Instruments Literature No. SLMA002 and Application Brief, PowerPAD Made Easy, Texas Instruments Literature No. SLMA004. Both documents are available at www.ti.com.

The exposed thermal pad dimensions for this package are shown in the following illustration.



Top View

Exposed Thermal Pad Dimensions

4206324-4/H 12/14

NOTE: A. All linear dimensions are in millimeters

PowerPAD is a trademark of Texas Instruments

IMPORTANT NOTICE

Texas Instruments Incorporated (TI) reserves the right to make corrections, enhancements, improvements and other changes to its semiconductor products and services per JESD46, latest issue, and to discontinue any product or service per JESD48, latest issue. Buyers should obtain the latest relevant information before placing orders and should verify that such information is current and complete.

TI's published terms of sale for semiconductor products (<http://www.ti.com/sc/docs/stdterms.htm>) apply to the sale of packaged integrated circuit products that TI has qualified and released to market. Additional terms may apply to the use or sale of other types of TI products and services.

Reproduction of significant portions of TI information in TI data sheets is permissible only if reproduction is without alteration and is accompanied by all associated warranties, conditions, limitations, and notices. TI is not responsible or liable for such reproduced documentation. Information of third parties may be subject to additional restrictions. Resale of TI products or services with statements different from or beyond the parameters stated by TI for that product or service voids all express and any implied warranties for the associated TI product or service and is an unfair and deceptive business practice. TI is not responsible or liable for any such statements.

Buyers and others who are developing systems that incorporate TI products (collectively, "Designers") understand and agree that Designers remain responsible for using their independent analysis, evaluation and judgment in designing their applications and that Designers have full and exclusive responsibility to assure the safety of Designers' applications and compliance of their applications (and of all TI products used in or for Designers' applications) with all applicable regulations, laws and other applicable requirements. Designer represents that, with respect to their applications, Designer has all the necessary expertise to create and implement safeguards that (1) anticipate dangerous consequences of failures, (2) monitor failures and their consequences, and (3) lessen the likelihood of failures that might cause harm and take appropriate actions. Designer agrees that prior to using or distributing any applications that include TI products, Designer will thoroughly test such applications and the functionality of such TI products as used in such applications.

TI's provision of technical, application or other design advice, quality characterization, reliability data or other services or information, including, but not limited to, reference designs and materials relating to evaluation modules, (collectively, "TI Resources") are intended to assist designers who are developing applications that incorporate TI products; by downloading, accessing or using TI Resources in any way, Designer (individually or, if Designer is acting on behalf of a company, Designer's company) agrees to use any particular TI Resource solely for this purpose and subject to the terms of this Notice.

TI's provision of TI Resources does not expand or otherwise alter TI's applicable published warranties or warranty disclaimers for TI products, and no additional obligations or liabilities arise from TI providing such TI Resources. TI reserves the right to make corrections, enhancements, improvements and other changes to its TI Resources. TI has not conducted any testing other than that specifically described in the published documentation for a particular TI Resource.

Designer is authorized to use, copy and modify any individual TI Resource only in connection with the development of applications that include the TI product(s) identified in such TI Resource. NO OTHER LICENSE, EXPRESS OR IMPLIED, BY ESTOPPEL OR OTHERWISE TO ANY OTHER TI INTELLECTUAL PROPERTY RIGHT, AND NO LICENSE TO ANY TECHNOLOGY OR INTELLECTUAL PROPERTY RIGHT OF TI OR ANY THIRD PARTY IS GRANTED HEREIN, including but not limited to any patent right, copyright, mask work right, or other intellectual property right relating to any combination, machine, or process in which TI products or services are used. Information regarding or referencing third-party products or services does not constitute a license to use such products or services, or a warranty or endorsement thereof. Use of TI Resources may require a license from a third party under the patents or other intellectual property of the third party, or a license from TI under the patents or other intellectual property of TI.

TI RESOURCES ARE PROVIDED "AS IS" AND WITH ALL FAULTS. TI DISCLAIMS ALL OTHER WARRANTIES OR REPRESENTATIONS, EXPRESS OR IMPLIED, REGARDING RESOURCES OR USE THEREOF, INCLUDING BUT NOT LIMITED TO ACCURACY OR COMPLETENESS, TITLE, ANY EPIDEMIC FAILURE WARRANTY AND ANY IMPLIED WARRANTIES OF MERCHANTABILITY, FITNESS FOR A PARTICULAR PURPOSE, AND NON-INFRINGEMENT OF ANY THIRD PARTY INTELLECTUAL PROPERTY RIGHTS. TI SHALL NOT BE LIABLE FOR AND SHALL NOT DEFEND OR INDEMNIFY DESIGNER AGAINST ANY CLAIM, INCLUDING BUT NOT LIMITED TO ANY INFRINGEMENT CLAIM THAT RELATES TO OR IS BASED ON ANY COMBINATION OF PRODUCTS EVEN IF DESCRIBED IN TI RESOURCES OR OTHERWISE. IN NO EVENT SHALL TI BE LIABLE FOR ANY ACTUAL, DIRECT, SPECIAL, COLLATERAL, INDIRECT, PUNITIVE, INCIDENTAL, CONSEQUENTIAL OR EXEMPLARY DAMAGES IN CONNECTION WITH OR ARISING OUT OF TI RESOURCES OR USE THEREOF, AND REGARDLESS OF WHETHER TI HAS BEEN ADVISED OF THE POSSIBILITY OF SUCH DAMAGES.

Unless TI has explicitly designated an individual product as meeting the requirements of a particular industry standard (e.g., ISO/TS 16949 and ISO 26262), TI is not responsible for any failure to meet such industry standard requirements.

Where TI specifically promotes products as facilitating functional safety or as compliant with industry functional safety standards, such products are intended to help enable customers to design and create their own applications that meet applicable functional safety standards and requirements. Using products in an application does not by itself establish any safety features in the application. Designers must ensure compliance with safety-related requirements and standards applicable to their applications. Designer may not use any TI products in life-critical medical equipment unless authorized officers of the parties have executed a special contract specifically governing such use. Life-critical medical equipment is medical equipment where failure of such equipment would cause serious bodily injury or death (e.g., life support, pacemakers, defibrillators, heart pumps, neurostimulators, and implantables). Such equipment includes, without limitation, all medical devices identified by the U.S. Food and Drug Administration as Class III devices and equivalent classifications outside the U.S.

TI may expressly designate certain products as completing a particular qualification (e.g., Q100, Military Grade, or Enhanced Product). Designers agree that it has the necessary expertise to select the product with the appropriate qualification designation for their applications and that proper product selection is at Designers' own risk. Designers are solely responsible for compliance with all legal and regulatory requirements in connection with such selection.

Designer will fully indemnify TI and its representatives against any damages, costs, losses, and/or liabilities arising out of Designer's non-compliance with the terms and provisions of this Notice.