

## MSP430FG461x, MSP430CG461x Mixed-Signal Microcontrollers

### 1 Device Overview

#### 1.1 Features

- Low Supply-Voltage Range: 1.8 V to 3.6 V
- Ultra-Low Power Consumption
  - Active Mode: 400  $\mu$ A at 1 MHz, 2.2 V
  - Standby Mode: 1.3  $\mu$ A
  - Off Mode (RAM Retention): 0.22  $\mu$ A
- Five Power-Saving Modes
- Wakeup From Standby Mode in Less Than 6  $\mu$ s
- 16-Bit RISC Architecture, Extended Memory, 125-ns Instruction Cycle Time
- Three-Channel Internal DMA
- 12-Bit Analog-to-Digital Converter (ADC) With Internal Reference, Sample-and-Hold and Autoscan Feature
- Three Configurable Operational Amplifiers
- Dual 12-Bit Digital-to-Analog Converters (DACs) With Synchronization
- 16-Bit Timer\_A With Three Capture/Compare Registers
- 16-Bit Timer\_B With Seven Capture/Compare-With-Shadow Registers
- On-Chip Comparator
- Supply Voltage Supervisor and Monitor With Programmable Level Detection
- Serial Communication Interface (USART1), Select Asynchronous UART or Synchronous SPI by Software
- Universal Serial Communication Interface
  - Enhanced UART Supports Automatic Baud-Rate Detection
  - IrDA Encoder and Decoder
  - Synchronous SPI
  - I<sup>2</sup>C
- Serial Onboard Programming, Programmable Code Protection by Security Fuse
- Brownout Detector
- Basic Timer With Real-Time Clock (RTC) Feature
- Integrated LCD Driver up to 160 Segments With Regulated Charge Pump
- [Section 3](#) Summarizes the Available Family Members
  - MSP430FG4616, MSP430FG4616 92KB+256B of Flash or ROM 4KB of RAM
  - MSP430FG4617, MSP430CG4617 92KB+256B of Flash or ROM 8KB of RAM
  - MSP430FG4618, MSP430CG4618 116KB+256B of Flash or ROM 8KB of RAM
  - MSP430FG4619, MSP430CG4619 120KB+256B of Flash or ROM 4KB of RAM
- For Complete Module Descriptions, see the *MSP430x4xx Family User's Guide* ([SLAU056](#))

#### 1.2 Applications

- Portable Medical Applications
- E-Meter Applications

#### 1.3 Description

The TI MSP430™ family of ultra-low-power microcontrollers consists of several devices featuring different sets of peripherals targeted for various applications. The architecture, combined with five low-power modes, is optimized to achieve extended battery life in portable measurement applications. The device features a powerful 16-bit RISC CPU, 16-bit registers, and constant generators that contribute to maximum code efficiency. The digitally controlled oscillator (DCO) allows the device to wake up from low-power modes to active mode in less than 6  $\mu$ s.

The MSP430xG461x series are microcontroller configurations with two 16-bit timers, a high-performance 12-bit ADC, dual 12-bit DACs, three configurable operational amplifiers, one universal serial communication interface (USCI), one universal synchronous/asynchronous communication interface (USART), DMA, 80 I/O pins, and a segment liquid crystal display (LCD) driver with regulated charge pump.



### Device Information<sup>(1)</sup>

| PART NUMBER      | PACKAGE                     | BODY SIZE <sup>(2)</sup> |
|------------------|-----------------------------|--------------------------|
| MSP430FG4619IPZ  | LQFP (100)                  | 14 mm x 14 mm            |
| MSP430FG4619IZQW | MicroStar Junior™ BGA (113) | 7 mm x 7 mm              |

(1) For the most current part, package, and ordering information for all available devices, see the *Package Option Addendum* in [Section 8](#), or see the TI website at [www.ti.com](http://www.ti.com).

(2) The sizes shown here are approximations. For the package dimensions with tolerances, see the *Mechanical Data* in [Section 8](#).

## 1.4 Functional Block Diagram

Figure 1-1 shows the functional block diagram.

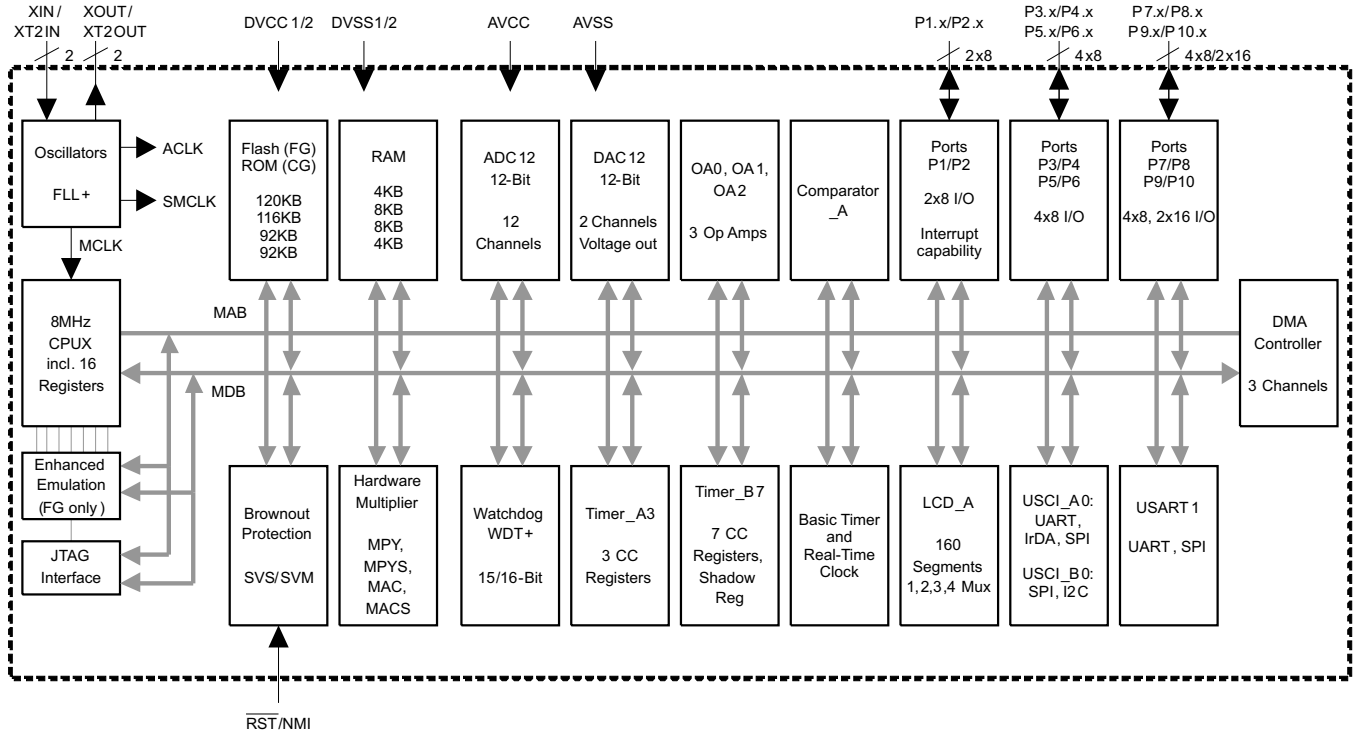


Figure 1-1. Functional Block Diagram

## Table of Contents

|          |   |                           |          |  |                            |
|----------|---|---------------------------|----------|--|----------------------------|
| <b>1</b> | <b>Device Overview</b>  | <b><a href="#">1</a></b>  | 5.30     | 12-Bit ADC, Timing Parameters  | <a href="#">37</a>         |
| 1.1      | Features  | <a href="#">1</a>         | 5.31     | 12-Bit ADC, Linearity Parameters   | <a href="#">37</a>         |
| 1.2      | Applications  | <a href="#">1</a>         | 5.32     | 12-Bit ADC, Temperature Sensor and Built-In $V_{MID}$  | <a href="#">38</a>         |
| 1.3      | Description   | <a href="#">1</a>         |          |  | <a href="#">38</a>         |
| 1.4      | Functional Block Diagram  | <a href="#">2</a>         | 5.33     | 12-Bit DAC, Supply Specifications  | <a href="#">38</a>         |
| <b>2</b> | <b>Revision History</b>   | <b><a href="#">4</a></b>  | 5.34     | 12-Bit DAC, Linearity Specifications   | <a href="#">39</a>         |
| <b>3</b> | <b>Device Comparison</b>  | <b><a href="#">5</a></b>  | 5.35     | 12-Bit DAC, Output Specifications  | <a href="#">41</a>         |
| <b>4</b> | <b>Terminal Configuration and Functions</b>   | <b><a href="#">6</a></b>  | 5.36     | 12-Bit DAC, Reference Input Specifications   | <a href="#">41</a>         |
| 4.1      | Pin Diagrams  | <a href="#">6</a>         | 5.37     | 12-Bit DAC, Dynamic Specifications   | <a href="#">42</a>         |
| 4.2      | Signal Descriptions   | <a href="#">8</a>         | 5.38     | 12-Bit DAC, Dynamic Specifications Continued   | <a href="#">43</a>         |
| <b>5</b> | <b>Specifications</b>   | <b><a href="#">14</a></b> | 5.39     | Operational Amplifier OA, Supply Specifications  | <a href="#">44</a>         |
| 5.1      | Absolute Maximum Ratings  | <a href="#">14</a>        | 5.40     | Operational Amplifier OA, Input/Output Specifications  | <a href="#">44</a>         |
| 5.2      | ESD Ratings   | <a href="#">14</a>        | 5.41     | Operational Amplifier OA, Dynamic Specifications   | <a href="#">45</a>         |
| 5.3      | Recommended Operating Conditions  | <a href="#">14</a>        | 5.42     | Operational Amplifier OA, Typical Characteristics  | <a href="#">45</a>         |
| 5.4      | Supply Current Into $AV_{CC}$ + $DV_{CC}$ Excluding External Current                                | <a href="#">16</a>        | 5.43     | Operational Amplifier OA Feedback Network, Noninverting Amplifier Mode (OAF <sub>Cx</sub> = 4) | <a href="#">46</a>         |
| 5.5      | Thermal Characteristics   | <a href="#">17</a>        | 5.44     | Operational Amplifier OA Feedback Network, Inverting Amplifier Mode (OAF <sub>Cx</sub> = 6)    | <a href="#">46</a>         |
| 5.6      | Schmitt-Trigger Inputs – Ports P1 to P10, $\overline{RST}/NMI$ , JTAG (TCK, TMS, TDI/TCLK, TDO/TDI) | <a href="#">18</a>        | 5.45     | Flash Memory (FG461x Devices Only)   | <a href="#">47</a>         |
| 5.7      | Inputs P <sub>x.x</sub> , TAx, TBX  | <a href="#">18</a>        | 5.46     | JTAG Interface   | <a href="#">47</a>         |
| 5.8      | Leakage Current – Ports P1 to P10   | <a href="#">18</a>        | 5.47     | JTAG Fuse  | <a href="#">47</a>         |
| 5.9      | Outputs – Ports P1 to P10   | <a href="#">18</a>        | <b>6</b> | <b>Detailed Description</b>  | <b><a href="#">48</a></b>  |
| 5.10     | Output Frequency  | <a href="#">19</a>        | 6.1      | CPU  | <a href="#">48</a>         |
| 5.11     | Typical Characteristics – Outputs   | <a href="#">20</a>        | 6.2      | Instruction Set  | <a href="#">49</a>         |
| 5.12     | Wake-up Timing From LPM3  | <a href="#">21</a>        | 6.3      | Operating Modes  | <a href="#">50</a>         |
| 5.13     | RAM   | <a href="#">21</a>        | 6.4      | Interrupt Vector Addresses   | <a href="#">51</a>         |
| 5.14     | LCD_A   | <a href="#">21</a>        | 6.5      | Special Function Registers (SFRs)  | <a href="#">52</a>         |
| 5.15     | Comparator_A  | <a href="#">22</a>        | 6.6      | Memory Organization  | <a href="#">54</a>         |
| 5.16     | Typical Characteristics – Comparator_A  | <a href="#">23</a>        | 6.7      | Bootstrap Loader (BSL)   | <a href="#">55</a>         |
| 5.17     | POR, BOR  | <a href="#">24</a>        | 6.8      | Flash Memory   | <a href="#">55</a>         |
| 5.18     | SVS (Supply Voltage Supervisor and Monitor)   | <a href="#">25</a>        | 6.9      | Peripherals  | <a href="#">55</a>         |
| 5.19     | DCO   | <a href="#">27</a>        | 6.10     | Input/Output Schematics  | <a href="#">65</a>         |
| 5.20     | Crystal Oscillator, LFXT1 Oscillator  | <a href="#">29</a>        | <b>7</b> | <b>Device and Documentation Support</b>  | <b><a href="#">100</a></b> |
| 5.21     | Crystal Oscillator, XT2 Oscillator  | <a href="#">29</a>        | 7.1      | Device Support   | <a href="#">100</a>        |
| 5.22     | USCI (UART Mode)  | <a href="#">29</a>        | 7.2      | Documentation Support  | <a href="#">103</a>        |
| 5.23     | USCI (SPI Master Mode)  | <a href="#">30</a>        | 7.3      | Related Links  | <a href="#">103</a>        |
| 5.24     | USCI (SPI Slave Mode)   | <a href="#">30</a>        | 7.4      | Community Resources  | <a href="#">104</a>        |
| 5.25     | USCI (I <sup>2</sup> C Mode)  | <a href="#">33</a>        | 7.5      | Trademarks   | <a href="#">104</a>        |
| 5.26     | USART1  | <a href="#">33</a>        | 7.6      | Electrostatic Discharge Caution  | <a href="#">104</a>        |
| 5.27     | 12-Bit ADC, Power Supply and Input Range Conditions   | <a href="#">34</a>        | 7.7      | Export Control Notice  | <a href="#">104</a>        |
| 5.28     | 12-Bit ADC, External Reference  | <a href="#">34</a>        | 7.8      | Glossary   | <a href="#">104</a>        |
| 5.29     | 12-Bit ADC, Built-In Reference  | <a href="#">35</a>        | <b>8</b> | <b>Mechanical, Packaging, and Orderable Information</b>  | <b><a href="#">105</a></b> |

## 2 Revision History

NOTE: Page numbers for previous revisions may differ from page numbers in the current version.

| Changes from March 2, 2011 to June 19, 2015  | Page                |
|--|---------------------|
| • Document format and organization changes throughout, including the addition of section numbering .....                                   | <a href="#">1</a>   |
| • Added <i>Device Information</i> table .....  | <a href="#">2</a>   |
| • Moved functional block diagram to <a href="#">Section 1.4</a> .....  | <a href="#">2</a>   |
| • Added <a href="#">Section 3, Device Comparison</a> .....   | <a href="#">5</a>   |
| • Added signal names to ZQW pinout figure .....  | <a href="#">7</a>   |
| • Changed table note that starts "Segments S0 through S3 are disabled when..." .....   | <a href="#">8</a>   |
| • Added row for unassigned ball locations on ZQW package .....   | <a href="#">13</a>  |
| • Added <a href="#">Section 5</a> and moved all electrical specifications to it .....  | <a href="#">14</a>  |
| • Added <a href="#">Section 5.2, ESD Ratings</a> .....   | <a href="#">14</a>  |
| • In <i>Recommended Operating Conditions</i> , added test conditions for TYP values .....  | <a href="#">14</a>  |
| • Added <a href="#">Section 5.5, Thermal Characteristics</a> .....   | <a href="#">17</a>  |
| • Changed table note that starts "Segments S0 through S3 are disabled when..." .....   | <a href="#">21</a>  |
| • Changed the value of DAC12_xDAT from 7F7h to F7Fh in <a href="#">Figure 5-33</a> .....   | <a href="#">43</a>  |
| • Added <a href="#">Table 6-19</a> and moved P4.6 and P4.7 from <a href="#">Table 6-18</a> to insert correct LCDS32 control bit name ..... | <a href="#">75</a>  |
| • Added <a href="#">Table 6-29</a> and moved P7.2 and P7.3 from <a href="#">Table 6-28</a> to insert correct LCDS28 control bit name ..... | <a href="#">88</a>  |
| • Added <a href="#">Table 6-31</a> and moved P7.6 and P7.7 from <a href="#">Table 6-30</a> to insert correct LCDS24 control bit name ..... | <a href="#">89</a>  |
| • Added <a href="#">Table 6-33</a> and moved P8.2 to P8.5 from <a href="#">Table 6-32</a> to insert correct LCDS20 control bit name .....  | <a href="#">90</a>  |
| • Added <a href="#">Table 6-36</a> and moved P9.2 to P9.5 from <a href="#">Table 6-35</a> to insert correct LCDS12 control bit name .....  | <a href="#">92</a>  |
| • Corrected LCD segment numbers in PIN NAME column of <a href="#">Table 6-36</a> .....   | <a href="#">92</a>  |
| • Added <a href="#">Table 6-37</a> and moved P9.6 and P9.7 from <a href="#">Table 6-35</a> to insert correct LCDS8 control bit name .....  | <a href="#">93</a>  |
| • Corrected LCD segment numbers in PIN NAME column of <a href="#">Table 6-37</a> .....   | <a href="#">93</a>  |
| • Corrected LCD segment numbers in PIN NAME and FUNCTION columns of <a href="#">Table 6-38</a> .....                                       | <a href="#">94</a>  |
| • Added <a href="#">Table 6-39</a> and moved P10.2 to P10.5 from <a href="#">Table 6-38</a> to insert correct LCDS4 control bit name ..... | <a href="#">94</a>  |
| • Added <a href="#">Section 7</a> and moved Trademarks and ESD Caution sections to it .....  | <a href="#">100</a> |
| • Added <a href="#">Section 8</a> .....  | <a href="#">105</a> |

### 3 Device Comparison

Table 3-1 summarizes the available family members.

Table 3-1. Device Comparison<sup>(1)(2)</sup>

| DEVICE       | FLASH (KB) | ROM (KB) | RAM (KB) | EEM | Timer_A | Timer_B | ADC12 (Channels) | OP AMP | DAC12 (Channels) | COMP_A (Channels) | USART | USCI   | I/O | PACKAGE           |
|--------------|------------|----------|----------|-----|---------|---------|------------------|--------|------------------|-------------------|-------|--------|-----|-------------------|
| MSP430FG4619 | 120        | –        | 4        | 1   | TA3     | TB7     | 12               | 3      | 2                | 2                 | 1     | A0, B0 | 80  | PZ 100<br>ZQW 113 |
| MSP430FG4618 | 116        | –        | 8        | 1   | TA3     | TB7     | 12               | 3      | 2                | 2                 | 1     | A0, B0 | 80  | PZ 100<br>ZQW 113 |
| MSP430FG4617 | 92         | –        | 8        | 1   | TA3     | TB7     | 12               | 3      | 2                | 2                 | 1     | A0, B0 | 80  | PZ 100<br>ZQW 113 |
| MSP430FG4616 | 92         | –        | 4        | 1   | TA3     | TB7     | 12               | 3      | 2                | 2                 | 1     | A0, B0 | 80  | PZ 100<br>ZQW 113 |
| MSP430CG4619 | –          | 120      | 4        | –   | TA3     | TB7     | 12               | 3      | 2                | 2                 | 1     | A0, B0 | 80  | PZ 100<br>ZQW 113 |
| MSP430CG4618 | –          | 116      | 8        | –   | TA3     | TB7     | 12               | 3      | 2                | 2                 | 1     | A0, B0 | 80  | PZ 100<br>ZQW 113 |
| MSP430CG4617 | –          | 92       | 8        | –   | TA3     | TB7     | 12               | 3      | 2                | 2                 | 1     | A0, B0 | 80  | PZ 100<br>ZQW 113 |
| MSP430CG4616 | –          | 92       | 4        | –   | TA3     | TB7     | 12               | 3      | 2                | 2                 | 1     | A0, B0 | 80  | PZ 100<br>ZQW 113 |

- (1) For the most current device, package, and ordering information for all available devices, see the *Package Option Addendum* in Section 8, or see the TI website at [www.ti.com](http://www.ti.com).  
(2) Package drawings, thermal data, and symbolization are available at [www.ti.com/packaging](http://www.ti.com/packaging).

## 4 Terminal Configuration and Functions

### 4.1 Pin Diagrams

Figure 4-1 shows the pinout for the 100-pin PZ package.

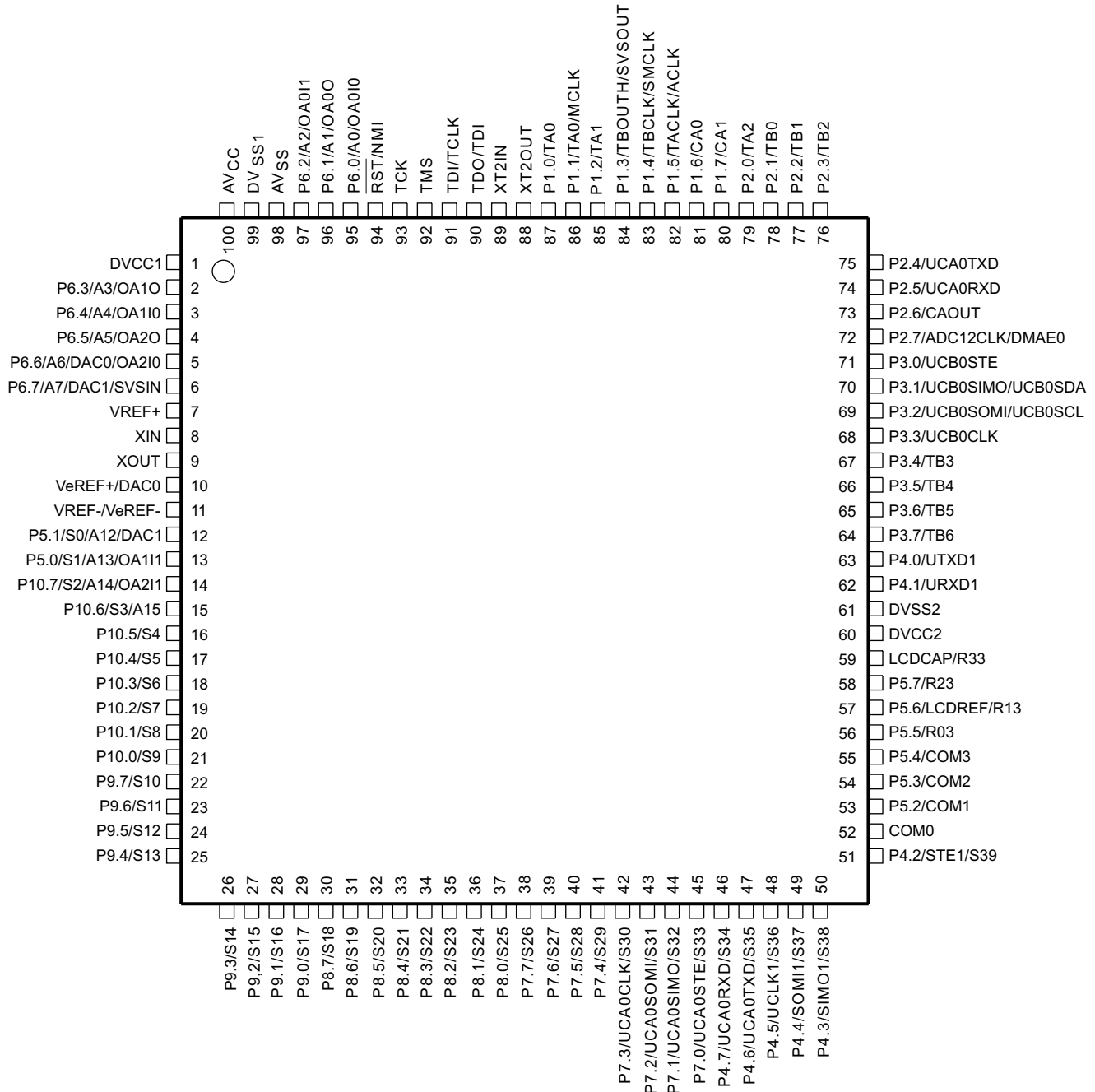
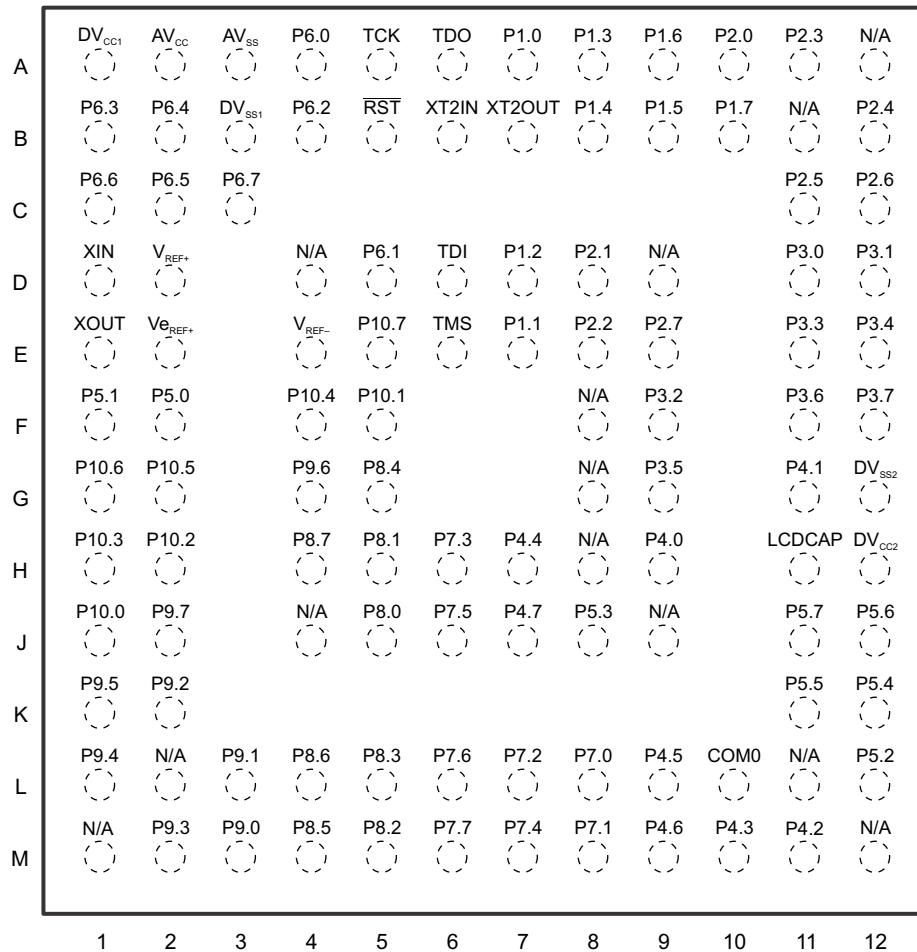


Figure 4-1. 100-Pin PZ Package (Top View)

Figure 4-2 shows the pinout for the 113-pin ZQW package. This figure shows only the default pin assignments; for all pin assignments, see Table 4-1.



N/A = Not Assigned. All unassigned ball locations on the ZQW package should be electrically tied to the ground supply. The shortest ground return path to the device should be established to ball location B3, DV<sub>SS1</sub>.

**Figure 4-2. 113-Pin ZQW Package (Top View)**

## 4.2 Signal Descriptions

Table 4-1 describes the signals for all device variants and package options.

**Table 4-1. Signal Descriptions**

| SIGNAL NAME                                | PIN NO. |     | I/O | DESCRIPTION  |
|--|---------|-----|-----|--|
|  | PZ      | ZQW |     |  |
| DV <sub>CC1</sub>                          | 1       | A1  |     | Digital supply voltage, positive terminal  |
| P6.3<br>A3<br>OA1O                         | 2       | B1  | I/O | General-purpose digital I/O<br>Analog input A3 for 12-bit ADC<br>OA1 output  |
| P6.4<br>A4<br>OA1I0                        | 3       | B2  | I/O | General-purpose digital I/O<br>Analog input A4 for 12-bit ADC<br>OA1 input multiplexer on + terminal and – terminal  |
| P6.5<br>A5<br>OA2O                         | 4       | C2  | I/O | General-purpose digital I/O<br>Analog input A5 for 12-bit ADC<br>OA2 output  |
| P6.6<br>A6<br>DAC0<br>OA2I0                | 5       | C1  | I/O | General-purpose digital I/O<br>Analog input A6 for 12-bit ADC<br>DAC12.0 output<br>OA2 input multiplexer on + terminal and – terminal                              |
| P6.7<br>A7<br>DAC1<br>SVSIN                | 6       | C3  | I/O | General-purpose digital I/O<br>Analog input A7 for 12-bit ADC<br>DAC12.1 output<br>Analog input to brownout, supply voltage supervisor                             |
| V <sub>REF+</sub>                          | 7       | D2  | O   | Output of positive terminal of the reference voltage in the ADC  |
| XIN  | 8       | D1  | I   | Input port for crystal oscillator XT1. Standard or watch crystals can be connected.  |
| XOUT                                       | 9       | E1  | O   | Output terminal of crystal oscillator XT1  |
| V <sub>REF+</sub><br>DAC0                  | 10      | E2  | I/O | Input for an external reference voltage to the ADC<br>DAC12.0 output   |
| V <sub>REF</sub><br>V <sub>REF-</sub>      | 11      | E4  | I   | Internal reference voltage, negative terminal for the ADC reference voltage<br>External applied reference voltage, negative terminal for the ADC reference voltage |
| P5.1<br>S0 <sup>(1)</sup><br>A12<br>DAC1   | 12      | F1  | I/O | General-purpose digital I/O<br>LCD segment output 0<br>Analog input A12 for 12-bit ADC<br>DAC12.1 output   |
| P5.0<br>S1 <sup>(1)</sup><br>A13<br>OA1I1  | 13      | F2  | I/O | General-purpose digital I/O<br>LCD segment output 1<br>Analog input A13 for 12-bit ADC<br>OA1 input multiplexer on + terminal and – terminal                       |
| P10.7<br>S2 <sup>(1)</sup><br>A14<br>OA2I1 | 14      | E5  | I/O | General-purpose digital I/O<br>LCD segment output 2<br>Analog input A14 for 12-bit ADC<br>OA2 input multiplexer on + terminal and – terminal                       |
| P10.6<br>S3 <sup>(1)</sup><br>A15          | 15      | G1  | I/O | General-purpose digital I/O<br>LCD segment output 3<br>Analog input A15 to 12-bit ADC  |

(1) Segments S0 through S3 are disabled when the LCD charge pump feature is enabled (LCDCPEN = 1) and, therefore, cannot be used together with the LCD charge pump. On the MSP430xG461x devices only, S0 through S3 are also disabled if VLCDEXT = 1. This setting is typically used to apply an external LCD voltage supply to the LCDCAP terminal. For these devices, set LCDCPEN = 0, VLCDEXT = 0, and VLCDx > 0 to enable an external LCD voltage supply to be applied to the LCDCAP terminal.



**Table 4-1. Signal Descriptions (continued)**

| SIGNAL NAME | PIN NO. |     | I/O | DESCRIPTION  |
|-------------|---------|-----|-----|--|
|             | PZ      | ZQW |     |  |
| P10.5<br>S4 | 16      | G2  | I/O | General-purpose digital I/O<br>LCD segment output 4  |
| P10.4<br>S5 | 17      | F4  | I/O | General-purpose digital I/O<br>LCD segment output 5  |
| P10.3<br>S6 | 18      | H1  | I/O | General-purpose digital I/O<br>LCD segment output 6  |
| P10.2<br>S7 | 19      | H2  | I/O | General-purpose digital I/O<br>LCD segment output 7  |
| P10.1<br>S8 | 20      | F5  | I/O | General-purpose digital I/O<br>LCD segment output 8  |
| P10.0<br>S9 | 21      | J1  | I/O | General-purpose digital I/O<br>LCD segment output 9  |
| P9.7<br>S10 | 22      | J2  | I/O | General-purpose digital I/O<br>LCD segment output 10 |
| P9.6<br>S11 | 23      | G4  | I/O | General-purpose digital I/O<br>LCD segment output 11 |
| P9.5<br>S12 | 24      | K1  | I/O | General-purpose digital I/O<br>LCD segment output 12 |
| P9.4<br>S13 | 25      | L1  | I/O | General-purpose digital I/O<br>LCD segment output 13 |
| P9.3<br>S14 | 26      | M2  | I/O | General-purpose digital I/O<br>LCD segment output 14 |
| P9.2<br>S15 | 27      | K2  | I/O | General-purpose digital I/O<br>LCD segment output 15 |
| P9.1<br>S16 | 28      | L3  | I/O | General-purpose digital I/O<br>LCD segment output 16 |
| P9.0<br>S17 | 29      | M3  | I/O | General-purpose digital I/O<br>LCD segment output 17 |
| P8.7<br>S18 | 30      | H4  | I/O | General-purpose digital I/O<br>LCD segment output 18 |
| P8.6<br>S19 | 31      | L4  | I/O | General-purpose digital I/O<br>LCD segment output 19 |
| P8.5<br>S20 | 32      | M4  | I/O | General-purpose digital I/O<br>LCD segment output 20 |
| P8.4<br>S21 | 33      | G5  | I/O | General-purpose digital I/O<br>LCD segment output 21 |
| P8.3<br>S22 | 34      | L5  | I/O | General-purpose digital I/O<br>LCD segment output 22 |
| P8.2<br>S23 | 35      | M5  | I/O | General-purpose digital I/O<br>LCD segment output 23 |
| P8.1<br>S24 | 36      | H5  | I/O | General-purpose digital I/O<br>LCD segment output 24 |
| P8.0<br>S25 | 37      | J5  | I/O | General-purpose digital I/O<br>LCD segment output 25 |
| P7.7<br>S26 | 38      | M6  | I/O | General-purpose digital I/O<br>LCD segment output 26 |

**Table 4-1. Signal Descriptions (continued)**

| SIGNAL NAME             | PIN NO. |     | I/O | DESCRIPTION   |
|-------------------------|---------|-----|-----|---|
|                         | PZ      | ZQW |     |   |
| P7.6<br>S27             | 39      | L6  | I/O | General-purpose digital I/O<br>LCD segment output 27  |
| P7.5<br>S28             | 40      | J6  | I/O | General-purpose digital I/O<br>LCD segment output 28  |
| P7.4<br>S29             | 41      | M7  | I/O | General-purpose digital I/O<br>LCD segment output 29  |
| P7.3<br>UCA0CLK<br>S30  | 42      | H6  | I/O | General-purpose digital I/O<br>External clock input – USCI_A0 in UART or SPI mode,<br>Clock output – USCI_A0 in SPI mode<br>LCD segment 30      |
| P7.2<br>UCA0SOMI<br>S31 | 43      | L7  | I/O | General-purpose digital I/O<br>Slave out/master in of USCI_A0 in SPI mode<br>LCD segment output 31  |
| P7.1<br>UCA0SIMO<br>S32 | 44      | M8  | I/O | General-purpose digital I/O<br>Slave in/master out of USCI_A0 in SPI mode<br>LCD segment output 32  |
| P7.0<br>UCA0STE<br>S33  | 45      | L8  | I/O | General-purpose digital I/O<br>Slave transmit enable – USCI_A0 in SPI mode<br>LCD segment output 33   |
| P4.7<br>UCA0RXD<br>S34  | 46      | J7  | I/O | General-purpose digital I/O<br>Receive data in – USCI_A0 in UART or IrDA mode<br>LCD segment output 34  |
| P4.6<br>UCA0TXD<br>S35  | 47      | M9  | I/O | General-purpose digital I/O<br>Transmit data out – USCI_A0 in UART or IrDA mode<br>LCD segment output 35  |
| P4.5<br>UCLK1<br>S36    | 48      | L9  | I/O | General-purpose digital I/O<br>External clock input – USART1 in UART or SPI mode,<br>Clock output – USART1 in SPI MODE<br>LCD segment output 36 |
| P4.4<br>SOMI1<br>S37    | 49      | H7  | I/O | General-purpose digital I/O<br>Slave out/master in of USART1 in SPI mode<br>LCD segment output 37   |
| P4.3<br>SIMO1<br>S38    | 50      | M10 | I/O | General-purpose digital I/O<br>Slave in/master out of USART1 in SPI mode<br>LCD segment output 38   |
| P4.2<br>STE1<br>S39     | 51      | M11 | I/O | General-purpose digital I/O<br>Slave transmit enable – USART1 in SPI mode<br>LCD segment output 39  |
| COM0                    | 52      | L10 | O   | Common output, COM0 for LCD backplanes  |
| P5.2<br>COM1            | 53      | L12 | I/O | General-purpose digital I/O<br>Common output, COM1 for LCD backplanes   |
| P5.3<br>COM2            | 54      | J8  | I/O | General-purpose digital I/O<br>Common output, COM2 for LCD backplanes   |
| P5.4<br>COM3            | 55      | K12 | I/O | General-purpose digital I/O<br>Common output, COM3 for LCD backplanes   |
| P5.5<br>R03             | 56      | K11 | I/O | General-purpose digital I/O<br>Input port of lowest analog LCD level (V5)   |

**Table 4-1. Signal Descriptions (continued)**

| SIGNAL NAME                 | PIN NO. |     | I/O | DESCRIPTION  |
|-----------------------------|---------|-----|-----|--|
|                             | PZ      | ZQW |     |  |
| P5.6<br>LCDREF<br>R13       | 57      | J12 | I/O | General-purpose digital I/O<br>External reference voltage input for regulated LCD voltage<br>Input port of third most positive analog LCD level (V4 or V3) |
| P5.7<br>R23                 | 58      | J11 | I/O | General-purpose digital I/O<br>Input port of second most positive analog LCD level (V2)  |
| LDCAP<br>R33                | 59      | H11 | I   | LCD capacitor connection<br>Input/output port of most positive analog LCD level (V1)   |
| DV <sub>CC2</sub>           | 60      | H12 |     | Digital supply voltage, positive terminal  |
| DV <sub>SS2</sub>           | 61      | G12 |     | Digital supply voltage, negative terminal  |
| P4.1<br>URXD1               | 62      | G11 | I/O | General-purpose digital I/O<br>Receive data in – USART1 in UART mode   |
| P4.0<br>UTXD1               | 63      | H9  | I/O | General-purpose digital I/O<br>Transmit data out – USART1 in UART mode   |
| P3.7<br>TB6                 | 64      | F12 | I/O | General-purpose digital I/O<br>Timer_B7 CCR6. Capture: CCI6A/CCI6B input, compare: Out6 output   |
| P3.6<br>TB5                 | 65      | F11 | I/O | General-purpose digital I/O<br>Timer_B7 CCR5. Capture: CCI5A/CCI5B input, compare: Out5 output   |
| P3.5<br>TB4                 | 66      | G9  | I/O | General-purpose digital I/O<br>Timer_B7 CCR4. Capture: CCI4A/CCI4B input, compare: Out4 output   |
| P3.4<br>TB3                 | 67      | E12 | I/O | General-purpose digital I/O<br>Timer_B7 CCR3. Capture: CCI3A/CCI3B input, compare: Out3 output   |
| P3.3<br>UCB0CLK             | 68      | E11 | I/O | General-purpose digital I/O<br>External clock input – USCI_B0 in UART or SPI mode,<br>Clock output – USCI_B0 in SPI mode                                   |
| P3.2<br>UCB0SOMI<br>UCB0SCL | 69      | F9  | I/O | General-purpose digital I/O<br>Slave out/master in of USCI_B0 in SPI mode<br>I <sup>2</sup> C clock – USCI_B0 in I <sup>2</sup> C mode                     |
| P3.1<br>UCB0SIMO<br>UCB0SDA | 70      | D12 | I/O | General-purpose digital I/O<br>Slave in/master out of USCI_B0 in SPI mode<br>I <sup>2</sup> C data – USCI_B0 in I <sup>2</sup> C mode                      |
| P3.0<br>UCB0STE             | 71      | D11 | I/O | General-purpose digital I/O<br>Slave transmit enable – USCI_B0 in SPI mode   |
| P2.7<br>ADC12CLK<br>DMAE0   | 72      | E9  | I/O | General-purpose digital I/O<br>Conversion clock for 12-bit ADC<br>DMA channel 0 external trigger   |
| P2.6<br>CAOUT               | 73      | C12 | I/O | General-purpose digital I/O<br>Comparator_A output   |
| P2.5<br>UCA0RXD             | 74      | C11 | I/O | General-purpose digital I/O<br>Receive data in – USCI_A0 in UART or IrDA mode  |
| P2.4<br>UCA0TXD             | 75      | B12 | I/O | General-purpose digital I/O<br>Transmit data out – USCI_A0 in UART or IrDA mode  |
| P2.3<br>TB2                 | 76      | A11 | I/O | General-purpose digital I/O<br>Timer_B7 CCR2. Capture: CCI2A/CCI2B input, compare: Out2 output   |
| P2.2<br>TB1                 | 77      | E8  | I/O | General-purpose digital I/O<br>Timer_B7 CCR1. Capture: CCI1A/CCI1B input, compare: Out1 output   |
| P2.1<br>TB0                 | 78      | D8  | I/O | General-purpose digital I/O<br>Timer_B7 CCR0. Capture: CCI0A/CCI0B input, compare: Out0 output   |

**Table 4-1. Signal Descriptions (continued)**

| SIGNAL NAME              | PIN NO. |     | I/O | DESCRIPTION   |
|--------------------------|---------|-----|-----|---|
|                          | PZ      | ZQW |     |   |
| P2.0<br>TA2              | 79      | A10 | I/O | General-purpose digital I/O<br>Timer_A Capture: CCI2A input, compare: Out2 output   |
| P1.7<br>CA1              | 80      | B10 | I/O | General-purpose digital I/O<br>Comparator_A input   |
| P1.6<br>CA0              | 81      | A9  | I/O | General-purpose digital I/O<br>Comparator_A input   |
| P1.5<br>TACLK<br>ACLK    | 82      | B9  | I/O | General-purpose digital I/O<br>Timer_A, clock signal TACLK input<br>ACLK output (divided by 1, 2, 4, or 8)  |
| P1.4<br>TBCLK<br>SMCLK   | 83      | B8  | I/O | General-purpose digital I/O<br>Input clock TBCLK – Timer_B7<br>Submain system clock SMCLK output  |
| P1.3<br>TBOUTH<br>SVSOUT | 84      | A8  | I/O | General-purpose digital I/O<br>Switch all PWM digital output ports to high impedance – Timer_B7 TB0 to TB6<br>SVS: output of SVS comparator                                   |
| P1.2<br>TA1              | 85      | D7  | I/O | General-purpose digital I/O<br>Timer_A, Capture: CCI1A input, compare: Out1 output  |
| P1.1<br>TA0<br>MCLK      | 86      | E7  | I/O | General-purpose digital I/O<br>Timer_A. Capture: CCI0B input. Note: TA0 is only an input on this pin. BSL receive.<br>MCLK output   |
| P1.0<br>TA0              | 87      | A7  | I/O | General-purpose digital I/O<br>Timer_A. Capture: CCI0A input, compare: Out0 output. BSL transmit.   |
| XT2OUT                   | 88      | B7  | O   | Output terminal of crystal oscillator XT2   |
| XT2IN                    | 89      | B6  | I   | Input port for crystal oscillator XT2. Only standard crystals can be connected.   |
| TDO<br>TDI               | 90      | A6  | I/O | Test data output port. TDO/TDI data output.<br>Programming data input terminal  |
| TDI<br>TCLK              | 91      | D6  | I   | Test data input<br>Test clock input. The device protection fuse is connected to TDI/TCLK.   |
| TMS                      | 92      | E6  | I   | Test mode select. TMS is used as an input port for device programming and test.   |
| TCK                      | 93      | A5  | I   | Test clock. TCK is the clock input port for device programming and test.  |
| RST<br>NMI               | 94      | B5  | I   | Reset input<br>Nonmaskable interrupt input port   |
| P6.0<br>A0<br>OA0I0      | 95      | A4  | I/O | General-purpose digital I/O<br>Analog input A0 for 12-bit ADC<br>OA0 input multiplexer on + terminal and – terminal   |
| P6.1<br>A1<br>OA0O       | 96      | D5  | I/O | General-purpose digital I/O<br>Analog input A1 for 12-bit ADC<br>OA0 output   |
| P6.2<br>A2<br>OA0I1      | 97      | B4  | I/O | General-purpose digital I/O<br>Analog input A2 for 12-bit ADC<br>OA0 input multiplexer on + terminal and – terminal   |
| AVSS                     | 98      | A3  |     | Analog supply voltage, negative terminal. Supplies SVS, brownout, oscillator, Comparator_A, port 1  |
| DV <sub>SS1</sub>        | 99      | B3  |     | Digital supply voltage, negative terminal   |
| AV <sub>CC</sub>         | 100     | A2  |     | Analog supply voltage, positive terminal. Supplies SVS, brownout, oscillator, Comparator_A, port 1. Do not power up before powering DV <sub>CC1</sub> and DV <sub>CC2</sub> . |

**Table 4-1. Signal Descriptions (continued)**

| SIGNAL NAME  | PIN NO. |  | I/O | DESCRIPTION   |
|--------------|---------|--|-----|---|
|              | PZ      | ZQW  |     |   |
| Not Assigned | –       | A12,<br>B11, D4,<br>D9, F8,<br>G8, H8,<br>J4, J9,<br>L2, L11,<br>M1, M12 | –   | All unassigned ball locations on the ZQW package should be electrically tied to the ground supply. The shortest ground return path to the device should be established to ball location B3, DV <sub>SS1</sub> . |

## 5 Specifications

### 5.1 Absolute Maximum Ratings<sup>(1)</sup>

over operating free-air temperature range (unless otherwise noted)

|   |                     | MIN  | MAX            | UNIT |
|---|---------------------|------|----------------|------|
| Voltage applied at $V_{CC}$ to $V_{SS}$   |                     | -0.3 | 4.1            | V    |
| Voltage applied to any pin <sup>(2)</sup> |                     | -0.3 | $V_{CC} + 0.3$ | V    |
| Diode current at any device terminal      |                     |      | $\pm 2$        | mA   |
| Storage temperature, $T_{stg}$            | Unprogrammed device | -55  | 105            | °C   |
|   | Programmed device   | -40  | 85             |      |

- (1) Stresses beyond those listed under *Absolute Maximum Ratings* may cause permanent damage to the device. These are stress ratings only, and functional operation of the device at these or any other conditions beyond those indicated under *Recommended Operating Conditions* is not implied. Exposure to absolute-maximum-rated conditions for extended periods may affect device reliability.
- (2) All voltages are referenced to  $V_{SS}$ . The JTAG fuse-blow voltage,  $V_{FB}$ , is allowed to exceed the absolute maximum rating. The voltage is applied to the TDI/TCLK pin when blowing the JTAG fuse.

### 5.2 ESD Ratings

|                                     |  | VALUE      | UNIT |
|-------------------------------------|--|------------|------|
| $V_{(ESD)}$ Electrostatic discharge | Human-body model (HBM), per ANSI/ESDA/JEDEC JS-001 <sup>(1)</sup>              | $\pm 1000$ | V    |
|                                     | Charged-device model (CDM), per JEDEC specification JESD22-C101 <sup>(2)</sup> | $\pm 250$  |      |

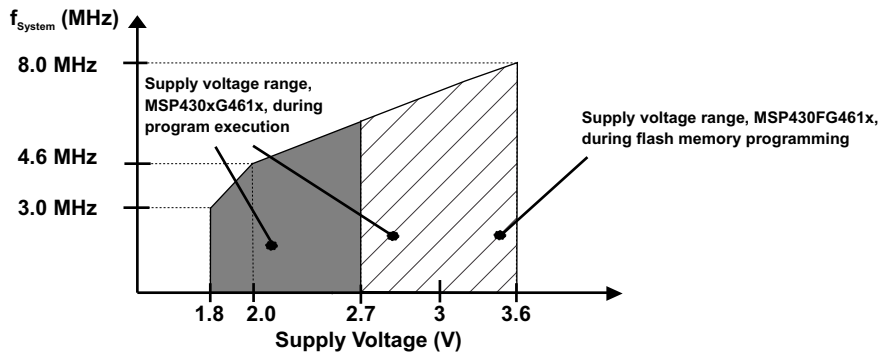
- (1) JEDEC document JEP155 states that 500-V HBM allows safe manufacturing with a standard ESD control process. Pins listed as  $\pm 1000$  V may actually have higher performance.
- (2) JEDEC document JEP157 states that 250-V CDM allows safe manufacturing with a standard ESD control process. Pins listed as  $\pm 250$  V may actually have higher performance.

### 5.3 Recommended Operating Conditions

Typical values are specified at  $V_{CC} = 3.3$  V and  $T_A = 25^\circ\text{C}$  (unless otherwise noted)

|   |  | MIN  | NOM    | MAX  | UNIT |
|---|--|------|--------|------|------|
| $V_{CC}$ Supply voltage                                     | During program execution <sup>(1)</sup><br>( $AV_{CC} = DV_{CC1/2} = V_{CC}$ )   | 1.8  |        | 3.6  | V    |
|   | During flash memory programming (FG461x)<br>( $AV_{CC} = DV_{CC1/2} = V_{CC}$ ) <sup>(1)</sup>                           | 2.7  |        | 3.6  |      |
|   | During program execution, SVS enabled and PORON = 1 <sup>(1)</sup><br>( $AV_{CC} = DV_{CC1/2} = V_{CC}$ ) <sup>(2)</sup> | 2    |        | 3.6  |      |
| $V_{SS}$ Supply voltage ( $AV_{SS} = DV_{SS1/2} = V_{SS}$ ) |  | 0    |        | 0    | V    |
| $T_A$ Operating free-air temperature range                  |  | -40  |        | 85   | °C   |
| $f_{(LFXT1)}$ Crystal frequency <sup>(3)</sup>              | LF selected, XTS_FLL = 0 <sup>(3)</sup>  |      | 32.768 |      | kHz  |
|   | XT1 selected, XTS_FLL = 1  | 450  |        | 8000 |      |
|   | XT1 selected, XTS_FLL = 1  | 1000 |        | 8000 |      |
| $f_{(XT2)}$ Crystal frequency                               | Ceramic resonator  | 450  |        | 8000 | kHz  |
|   | Crystal  | 1000 |        | 8000 |      |
| $f_{(System)}$ Processor frequency (signal MCLK)            | $V_{CC} = 1.8$ V   | DC   |        | 3    | MHz  |
|   | $V_{CC} = 2.0$ V   | DC   |        | 4.6  |      |
|   | $V_{CC} = 3.6$ V   | DC   |        | 8    |      |

- (1) TI recommends powering  $AV_{CC}$  and  $DV_{CC}$  from the same source. A maximum difference of 0.3 V between  $AV_{CC}$  and  $DV_{CC}$  can be tolerated during power up and operation.
- (2) The minimum operating supply voltage is defined according to the trip point where POR is going active by decreasing the supply voltage. POR is going inactive when the supply voltage is raised above the minimum supply voltage plus the hysteresis of the SVS circuitry.
- (3) In LF mode, the LFXT1 oscillator requires a watch crystal. In XT1 mode, LFXT1 accepts a ceramic resonator or a crystal.



**Figure 5-1. Frequency vs Supply Voltage**

## 5.4 Supply Current Into AV<sub>CC</sub> + DV<sub>CC</sub> Excluding External Current

over recommended ranges of supply voltage and operating free-air temperature (unless otherwise noted)

| PARAMETER           |   | TEST CONDITION |                                | MIN                     | TYP                   | MAX  | UNIT |      |
|---------------------|---|----------------|--------------------------------|-------------------------|-----------------------|------|------|------|
| I <sub>(AM)</sub>   | Active mode <sup>(1) (2)</sup><br>f <sub>(MCLK)</sub> = f <sub>(SMCLK)</sub> = 1 MHz,<br>f <sub>(ACLK)</sub> = 32768 Hz,<br>XTS = 0, SELM = (0, 1),<br>(FG461x: program executes from flash)  | CG461x         | T <sub>A</sub> = -40°C to 85°C | V <sub>CC</sub> = 2.2 V | 280                   | 370  | μA   |      |
|                     |   |                |                                | V <sub>CC</sub> = 3 V   | 470                   | 580  |      |      |
|                     |   | FG461x         | T <sub>A</sub> = -40°C to 85°C | V <sub>CC</sub> = 2.2 V | 400                   | 480  |      |      |
|                     |   |                |                                | V <sub>CC</sub> = 3 V   | 600                   | 740  |      |      |
| I <sub>(LPM0)</sub> | Low power mode (LPM0) <sup>(1) (2)</sup>  |                | T <sub>A</sub> = -40°C to 85°C | V <sub>CC</sub> = 2.2 V | 45                    | 70   | μA   |      |
|                     |   |                |                                | V <sub>CC</sub> = 3 V   | 75                    | 110  |      |      |
| I <sub>(LPM2)</sub> | Low-power mode (LPM2),<br>f <sub>(MCLK)</sub> = f <sub>(SMCLK)</sub> = 0 MHz,<br>f <sub>(ACLK)</sub> = 32768 Hz, SCG0 = 0 <sup>(3) (2)</sup>  |                | T <sub>A</sub> = -40°C to 85°C | V <sub>CC</sub> = 2.2 V | 11                    | 20   | μA   |      |
|                     |   |                |                                | V <sub>CC</sub> = 3 V   | 17                    | 24   |      |      |
| I <sub>(LPM3)</sub> | Low-power mode (LPM3),<br>f <sub>(MCLK)</sub> = f <sub>(SMCLK)</sub> = 0 MHz,<br>f <sub>(ACLK)</sub> = 32768 Hz, SCG0 = 1,<br>Basic Timer1 enabled, ACLK selected,<br>LCD_A enabled, LCDCPEN = 0,<br>(static mode, f <sub>LCD</sub> = f <sub>(ACLK)/32)<sup>(3) (4) (2)</sup></sub> |                | T <sub>A</sub> = -40°C         | V <sub>CC</sub> = 2.2 V | 1.3                   | 4.0  | μA   |      |
|                     |   |                |                                |                         | T <sub>A</sub> = 25°C | 1.3  |      | 4.0  |
|                     |   |                |                                |                         | T <sub>A</sub> = 60°C | 2.22 |      | 6.5  |
|                     |   |                |                                |                         | T <sub>A</sub> = 85°C | 6.5  |      | 15.0 |
|                     |   |                | T <sub>A</sub> = -40°C         | V <sub>CC</sub> = 3 V   | 1.9                   | 5.0  |      |      |
|                     |   |                |                                |                         | T <sub>A</sub> = 25°C | 1.9  |      | 5.0  |
|                     |   |                |                                |                         | T <sub>A</sub> = 60°C | 2.5  |      | 7.5  |
|                     |   |                |                                |                         | T <sub>A</sub> = 85°C | 7.5  |      | 18.0 |
| I <sub>(LPM3)</sub> | Low-power mode (LPM3),<br>f <sub>(MCLK)</sub> = f <sub>(SMCLK)</sub> = 0 MHz,<br>f <sub>(ACLK)</sub> = 32768 Hz, SCG0 = 1,<br>Basic Timer1 enabled, ACLK selected,<br>LCD_A enabled, LCDCPEN = 0,<br>(4-mux mode; f <sub>LCD</sub> = f <sub>(ACLK)/32)<sup>(3) (4) (2)</sup></sub>  |                | T <sub>A</sub> = -40°C         | V <sub>CC</sub> = 2.2 V | 1.5                   | 5.5  | μA   |      |
|                     |   |                |                                |                         | T <sub>A</sub> = 25°C | 1.5  |      | 5.5  |
|                     |   |                |                                |                         | T <sub>A</sub> = 60°C | 2.8  |      | 7.0  |
|                     |   |                |                                |                         | T <sub>A</sub> = 85°C | 7.2  |      | 17.0 |
|                     |   |                | T <sub>A</sub> = -40°C         | V <sub>CC</sub> = 3 V   | 2.5                   | 6.5  |      |      |
|                     |   |                |                                |                         | T <sub>A</sub> = 25°C | 2.5  |      | 6.5  |
|                     |   |                |                                |                         | T <sub>A</sub> = 60°C | 3.2  |      | 8.0  |
|                     |   |                |                                |                         | T <sub>A</sub> = 85°C | 8.5  |      | 20.0 |
| I <sub>(LPM4)</sub> | Low-power mode (LPM4),<br>f <sub>(MCLK)</sub> = 0 MHz, f <sub>(SMCLK)</sub> = 0 MHz,<br>f <sub>(ACLK)</sub> = 0 Hz, SCG0 = 1 <sup>(3) (2)</sup>   |                | T <sub>A</sub> = -40°C         | V <sub>CC</sub> = 2.2 V | 0.13                  | 1.0  | μA   |      |
|                     |   |                |                                |                         | T <sub>A</sub> = 25°C | 0.22 |      | 1.0  |
|                     |   |                |                                |                         | T <sub>A</sub> = 60°C | 0.9  |      | 2.5  |
|                     |   |                |                                |                         | T <sub>A</sub> = 85°C | 4.3  |      | 12.5 |
|                     |   |                | T <sub>A</sub> = -40°C         | V <sub>CC</sub> = 3 V   | 0.13                  | 1.6  |      |      |
|                     |   |                |                                |                         | T <sub>A</sub> = 25°C | 0.3  |      | 1.6  |
|                     |   |                |                                |                         | T <sub>A</sub> = 60°C | 1.1  |      | 3.0  |
|                     |   |                |                                |                         | T <sub>A</sub> = 85°C | 5.0  |      | 15.0 |

(1) Timer\_B is clocked by f<sub>(DCOCLK)</sub> = f<sub>(DCO)</sub> = 1 MHz. All inputs are tied to 0 V or to V<sub>CC</sub>. Outputs do not source or sink any current.

(2) Current for brownout included.

(3) All inputs are tied to 0 V or to V<sub>CC</sub>. Outputs do not source or sink any current.

(4) The LPM3 currents are characterized with a Micro Crystal CC4V-T1A (9 pF) crystal and OSCCAPx = 1h.

Current consumption of active mode versus system frequency, FG version:

$$I_{(AM)} = I_{(AM)} [1 \text{ MHz}] \times f_{(\text{System})} [\text{MHz}]$$

Current consumption of active mode versus supply voltage, FG version:

$$I_{(AM)} = I_{(AM)} [3 \text{ V}] + 200 \mu\text{A/V} \times (V_{CC} - 3 \text{ V})$$



## 5.5 Thermal Characteristics

| PARAMETER          |  | PACKAGE           | VALUE | UNIT |
|--------------------|--|-------------------|-------|------|
| $\theta_{JA}$      | Junction-to-ambient thermal resistance, still air <sup>(1)</sup> | ZQW (S-PBGA-N113) | 42    | °C/W |
| $\theta_{JC, TOP}$ | Junction-to-case (top) thermal resistance <sup>(2)</sup>         |                   | 10    | °C/W |
| $\theta_{JB}$      | Junction-to-board thermal resistance <sup>(3)</sup>              |                   | 12    | °C/W |
| $\Psi_{JB}$        | Junction-to-board thermal characterization parameter             |                   | 12    | °C/W |
| $\Psi_{JT}$        | Junction-to-top thermal characterization parameter               |                   | 0.3   | °C/W |
| $\theta_{JA}$      | Junction-to-ambient thermal resistance, still air <sup>(1)</sup> | PZ (S-PQFP-G100)  | 43.5  | °C/W |
| $\theta_{JC, TOP}$ | Junction-to-case (top) thermal resistance <sup>(2)</sup>         |                   | 6.2   | °C/W |
| $\theta_{JB}$      | Junction-to-board thermal resistance <sup>(3)</sup>              |                   | 21.8  | °C/W |
| $\Psi_{JB}$        | Junction-to-board thermal characterization parameter             |                   | 21.2  | °C/W |
| $\Psi_{JT}$        | Junction-to-top thermal characterization parameter               |                   | 0.2   | °C/W |

- (1) The junction-to-ambient thermal resistance under natural convection is obtained in a simulation on a JEDEC-standard, High-K board, as specified in JESD51-7, in an environment described in JESD51-2a.
- (2) The junction-to-case (top) thermal resistance is obtained by simulating a cold plate test on the package top. No specific JEDEC standard test exists, but a close description can be found in the ANSI SEMI standard G30-88.
- (3) The junction-to-board thermal resistance is obtained by simulating in an environment with a ring cold plate fixture to control the PCB temperature, as described in JESD51-8.

## 5.6 Schmitt-Trigger Inputs – Ports P1 to P10, $\overline{RST}/NMI$ , JTAG (TCK, TMS, TDI/TCLK, TDO/TDI)

over recommended ranges of supply voltage and operating free-air temperature (unless otherwise noted)

| PARAMETER |  | TEST CONDITIONS         | MIN | MAX  | UNIT |
|-----------|--|-------------------------|-----|------|------|
| $V_{IT+}$ | Positive-going input threshold voltage           | $V_{CC} = 2.2\text{ V}$ | 1.1 | 1.55 | V    |
|           |  | $V_{CC} = 3\text{ V}$   | 1.5 | 1.98 |      |
| $V_{IT-}$ | Negative-going input threshold voltage           | $V_{CC} = 2.2\text{ V}$ | 0.4 | 0.9  | V    |
|           |  | $V_{CC} = 3\text{ V}$   | 0.9 | 1.3  |      |
| $V_{hys}$ | Input voltage hysteresis ( $V_{IT+} - V_{IT-}$ ) | $V_{CC} = 2.2\text{ V}$ | 0.3 | 1.1  | V    |
|           |  | $V_{CC} = 3\text{ V}$   | 0.5 | 1    |      |

## 5.7 Inputs Px.x, TA<sub>x</sub>, TB<sub>x</sub>

over recommended ranges of supply voltage and operating free-air temperature (unless otherwise noted)

| PARAMETER     |  | TEST CONDITIONS  | $V_{CC}$ | MIN | MAX | UNIT |
|---------------|--|--|----------|-----|-----|------|
| $t_{(int)}$   | External interrupt timing                                    | Port P1, P2: P1.x to P2.x, external trigger signal for the interrupt flag <sup>(1)</sup> | 2.2 V    | 62  |     | ns   |
|               |  |  | 3 V      | 50  |     |      |
| $t_{(cap)}$   | Timer_A, Timer_B capture timing                              | TA0, TA1, TA2<br>TB0, TB1, TB2, TB3, TB4, TB5, TB6                                       | 2.2 V    | 62  |     | ns   |
|               |  |  | 3 V      | 50  |     |      |
| $f_{(TAext)}$ | Timer_A or Timer_B clock frequency externally applied to pin | TACLK, TBCLK<br>INCLK $t_{(H)} = t_{(L)}$  | 2.2 V    |     | 8   | MHz  |
| $f_{(TBext)}$ |  |  | 3 V      |     | 10  |      |
| $f_{(TAint)}$ | Timer A or Timer B clock frequency                           | SMCLK or ACLK signal selected  | 2.2 V    |     | 8   | MHz  |
| $f_{(TBint)}$ |  |  | 3 V      |     | 10  |      |

(1) The external signal sets the interrupt flag every time the minimum  $t_{(int)}$  parameters are met. It may be set even with trigger signals shorter than  $t_{(int)}$ .

## 5.8 Leakage Current – Ports P1 to P10<sup>(1)</sup>

over recommended ranges of supply voltage and operating free-air temperature (unless otherwise noted)

| PARAMETER       |                          | TEST CONDITIONS   | MIN                                 | MAX      | UNIT |
|-----------------|--------------------------|---|-------------------------------------|----------|------|
| $I_{lkg}(Px.y)$ | Leakage current, Port Px | $V(Px.y)$ <sup>(2)</sup><br>( $1 \leq x \leq 10, 0 \leq y \leq 7$ ) | $V_{CC} = 2.2\text{ V}, 3\text{ V}$ | $\pm 50$ | nA   |

(1) The leakage current is measured with  $V_{SS}$  or  $V_{CC}$  applied to the corresponding pins, unless otherwise noted.

(2) The port pin must be selected as input.

## 5.9 Outputs – Ports P1 to P10

over recommended ranges of supply voltage and operating free-air temperature (unless otherwise noted)

| PARAMETER |                           | TEST CONDITIONS  | MIN             | MAX             | UNIT |
|-----------|---------------------------|--|-----------------|-----------------|------|
| $V_{OH}$  | High-level output voltage | $I_{OH(max)} = -1.5\text{ mA}, V_{CC} = 2.2\text{ V}$ <sup>(1)</sup> | $V_{CC} - 0.25$ | $V_{CC}$        | V    |
|           |                           | $I_{OH(max)} = -6\text{ mA}, V_{CC} = 2.2\text{ V}$ <sup>(2)</sup>   | $V_{CC} - 0.6$  | $V_{CC}$        |      |
|           |                           | $I_{OH(max)} = -1.5\text{ mA}, V_{CC} = 3\text{ V}$ <sup>(1)</sup>   | $V_{CC} - 0.25$ | $V_{CC}$        |      |
|           |                           | $I_{OH(max)} = -6\text{ mA}, V_{CC} = 3\text{ V}$ <sup>(2)</sup>     | $V_{CC} - 0.6$  | $V_{CC}$        |      |
| $V_{OL}$  | Low-level output voltage  | $I_{OL(max)} = 1.5\text{ mA}, V_{CC} = 2.2\text{ V}$ <sup>(1)</sup>  | $V_{SS}$        | $V_{SS} + 0.25$ | V    |
|           |                           | $I_{OL(max)} = 6\text{ mA}, V_{CC} = 2.2\text{ V}$ <sup>(2)</sup>    | $V_{SS}$        | $V_{SS} + 0.6$  |      |
|           |                           | $I_{OL(max)} = 1.5\text{ mA}, V_{CC} = 3\text{ V}$ <sup>(1)</sup>    | $V_{SS}$        | $V_{SS} + 0.25$ |      |
|           |                           | $I_{OL(max)} = 6\text{ mA}, V_{CC} = 3\text{ V}$ <sup>(2)</sup>      | $V_{SS}$        | $V_{SS} + 0.6$  |      |

(1) The maximum total current,  $I_{OH(max)}$  and  $I_{OL(max)}$ , for all outputs combined, should not exceed  $\pm 12\text{ mA}$  to satisfy the maximum specified voltage drop.

(2) The maximum total current,  $I_{OH(max)}$  and  $I_{OL(max)}$ , for all outputs combined, should not exceed  $\pm 48\text{ mA}$  to satisfy the maximum specified voltage drop.

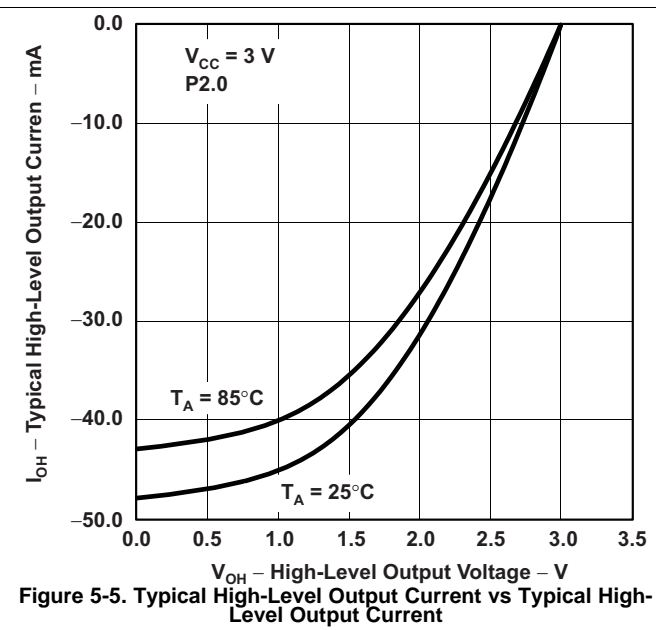
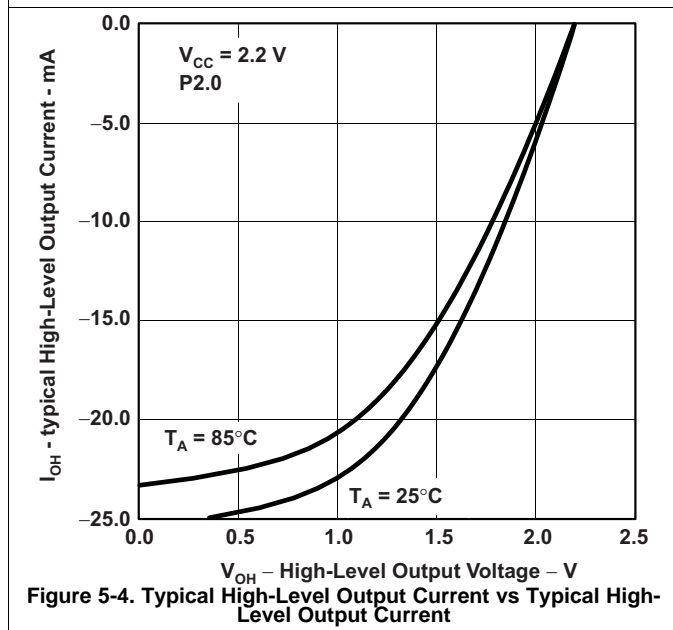
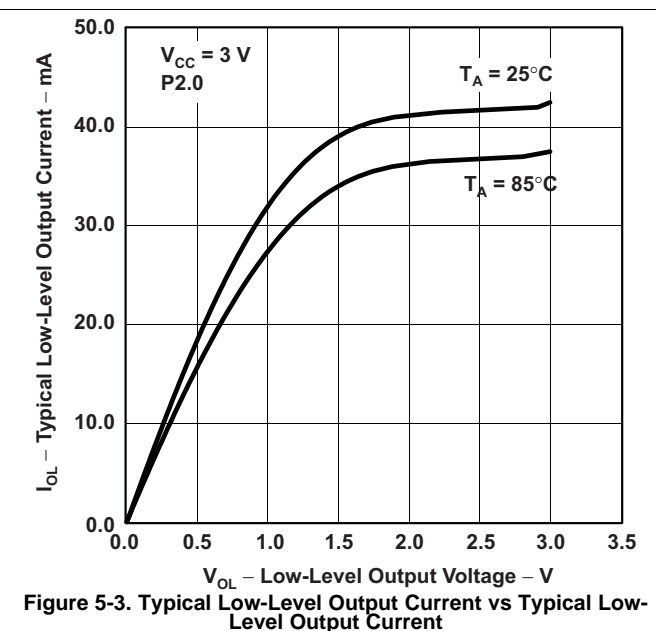
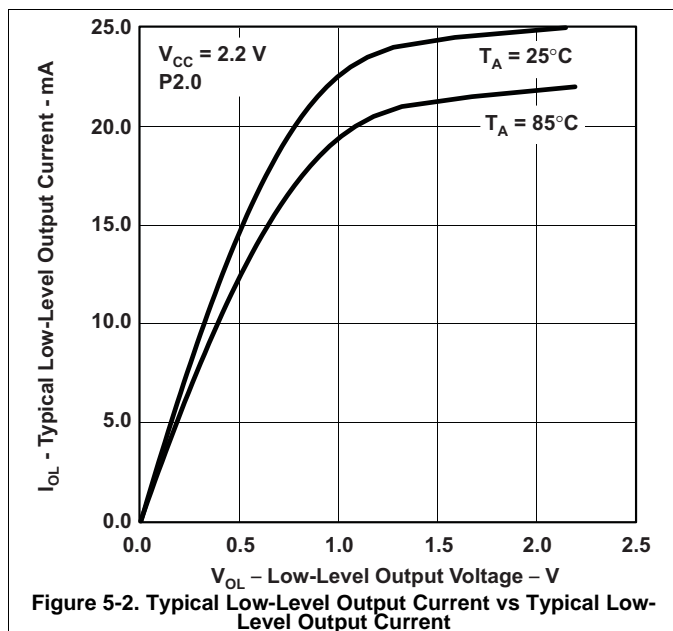
## 5.10 Output Frequency

over recommended ranges of supply voltage and operating free-air temperature (unless otherwise noted)

| PARAMETER                    |                                       | TEST CONDITIONS   | MIN                                    | TYP                    | MAX | UNIT          |     |
|------------------------------|---------------------------------------|---|--|------------------------|-----|---------------|-----|
| $f_{(P_{x,y})}$              | $(1 \leq x \leq 10, 0 \leq y \leq 7)$ | $C_L = 20 \text{ F}, I_L = \pm 1.5 \text{ mA}$                                  | $V_{CC} = 2.2 \text{ V}$               | DC                     |     | 10            | MHz |
|                              |                                       |   | $V_{CC} = 3 \text{ V}$                 | DC                     |     | 12            |     |
| $f_{(MCLK)}$                 | P1.1/TA0/MCLK                         | $C_L = 20 \text{ pF}$   | $V_{CC} = 2.2 \text{ V}$               |                        |     | 10            | MHz |
| $f_{(SMCLK)}$                | P1.4/TBCLK/SMCLK                      |   |  |                        |     |               |     |
| $f_{(ACLK)}$                 | P1.5/TACLK/ACLK                       |   |  | $V_{CC} = 3 \text{ V}$ | DC  |               |     |
| $t_{(Xdc)}$                  | Duty cycle of output frequency        | P1.5/TACLK/ACLK,<br>$C_L = 20 \text{ pF}, V_{CC} = 2.2 \text{ V}, 3 \text{ V}$  | $f_{(ACLK)} = f_{(LFXT1)} = f_{(XT1)}$ | 40%                    |     | 60%           |     |
|                              |                                       |   | $f_{(ACLK)} = f_{(LFXT1)} = f_{(LF)}$  | 30%                    |     | 70%           |     |
|                              |                                       |   | $f_{(ACLK)} = f_{(LFXT1)}$             |                        | 50% |               |     |
|                              |                                       | P1.1/TA0/MCLK,<br>$C_L = 20 \text{ pF}, V_{CC} = 2.2 \text{ V}, 3 \text{ V}$    | $f_{(MCLK)} = f_{(XT1)}$               | 40%                    |     | 60%           |     |
|                              |                                       |   | $f_{(MCLK)} = f_{(DCOCLK)}$            | 50% –<br>15 ns         | 50% | 50%+<br>15 ns |     |
|                              |                                       | P1.4/TBCLK/SMCLK,<br>$C_L = 20 \text{ pF}, V_{CC} = 2.2 \text{ V}, 3 \text{ V}$ | $f_{(SMCLK)} = f_{(XT2)}$              | 40%                    |     | 60%           |     |
| $f_{(SMCLK)} = f_{(DCOCLK)}$ | 50% –<br>15 ns                        |   | 50%                                    | 50% +<br>15 ns         |     |               |     |

## 5.11 Typical Characteristics – Outputs

over recommended ranges of supply voltage and operating free-air temperature (unless otherwise noted)



## 5.12 Wake-up Timing From LPM3

over recommended ranges of supply voltage and operating free-air temperature (unless otherwise noted)

| PARAMETER     |            | TEST CONDITIONS |                       | MIN | MAX | UNIT    |
|---------------|------------|-----------------|-----------------------|-----|-----|---------|
| $t_{d(LPM3)}$ | Delay time | $f = 1$ MHz     | $V_{CC} = 2.2$ V, 3 V |     | 6   | $\mu$ s |
|               |            | $f = 2$ MHz     |                       | 6   |     |         |
|               |            | $f = 3$ MHz     |                       | 6   |     |         |

## 5.13 RAM

over recommended ranges of supply voltage and operating free-air temperature (unless otherwise noted)

| PARAMETER | TEST CONDITIONS           | MIN | MAX | UNIT |
|-----------|---------------------------|-----|-----|------|
| VRAMh     | CPU halted <sup>(1)</sup> | 1.6 |     | V    |

(1) This parameter defines the minimum supply voltage when the data in program memory RAM remain unchanged. No program execution should take place during this supply voltage condition.

## 5.14 LCD\_A

over recommended ranges of supply voltage and operating free-air temperature (unless otherwise noted)

| PARAMETER     |  | TEST CONDITIONS  | $V_{CC}$ | MIN  | TYP      | MAX | UNIT       |
|---------------|--|--|----------|------|----------|-----|------------|
| $V_{CC(LCD)}$ | Supply voltage <sup>(1)</sup>          | Charge pump enabled (LCDCPEN = 1, VLCDx > 0000)  |          | 2.2  |          | 3.6 | V          |
| $I_{CC(LCD)}$ | Supply current <sup>(1)</sup>          | $V_{LCD(typ)} = 3$ V, LCDCPEN = 1, VLCDx = 1000, all segments on, $f_{LCD} = f_{ACLK}/32$ , no LCD connected <sup>(2)</sup> , $T_A = 25^\circ$ C | 2.2 V    |      | 3        |     | $\mu$ A    |
| $C_{LCD}$     | Capacitor on LCDCAP <sup>(3)</sup> (4) | Charge pump enabled (LCDCPEN = 1, VLCDx > 0000)  |          | 4.7  |          |     | $\mu$ F    |
| $f_{LCD}$     | LCD frequency                          |  |          |      |          | 1.1 | kHz        |
| $V_{LCD}$     | LCD voltage <sup>(4)</sup>             | VLCDx = 0000   | 2.2 V    |      | $V_{CC}$ |     | V          |
|               |  | VLCDx = 0001   |          | 2.60 |          |     |            |
|               |  | VLCDx = 0010   |          | 2.66 |          |     |            |
|               |  | VLCDx = 0011   |          | 2.72 |          |     |            |
|               |  | VLCDx = 0100   |          | 2.78 |          |     |            |
|               |  | VLCDx = 0101   |          | 2.84 |          |     |            |
|               |  | VLCDx = 0110   |          | 2.90 |          |     |            |
|               |  | VLCDx = 0111   |          | 2.96 |          |     |            |
|               |  | VLCDx = 1000   |          | 3.02 |          |     |            |
|               |  | VLCDx = 1001   |          | 3.08 |          |     |            |
|               |  | VLCDx = 1010   |          | 3.14 |          |     |            |
|               |  | VLCDx = 1011   |          | 3.20 |          |     |            |
|               |  | VLCDx = 1100   |          | 3.26 |          |     |            |
|               |  | VLCDx = 1101   |          | 3.32 |          |     |            |
|               |  | VLCDx = 1110   |          | 3.38 |          |     |            |
| VLCDx = 1111  | 3.44                                   | 3.60   |          |      |          |     |            |
| $R_{LCD}$     | LCD driver output impedance            | $V_{LCD} = 3$ V, CPEN = 1, VLCDx = 1000, $I_{LOAD} = \pm 10$ $\mu$ A   | 2.2 V    |      |          | 10  | k $\Omega$ |

(1) Refer to the supply current specifications  $I_{(LPM3)}$  for additional current specifications with the LCD\_A module active.

(2) Connecting an actual display increases the current consumption depending on the size of the LCD.

(3) Enabling the internal charge pump with an external capacitor smaller than the minimum specified might damage the device.

(4) Segments S0 through S3 are disabled when the LCD charge pump feature is enabled (LCDCPEN = 1) and, therefore, cannot be used together with the LCD charge pump. On the MSP430xG461x devices only, S0 through S3 are also disabled if VLCDxEXT = 1. This setting is typically used to apply an external LCD voltage supply to the LCDCAP terminal. For these devices, set LCDCPEN = 0, VLCDxEXT = 0, and VLCDx > 0 to enable an external LCD voltage supply to be applied to the LCDCAP terminal.

## 5.15 Comparator\_A<sup>(1)</sup>

over recommended ranges of supply voltage and operating free-air temperature (unless otherwise noted)

| PARAMETER                         |  | TEST CONDITIONS  | V <sub>CC</sub> | MIN  | TYP  | MAX                 | UNIT |
|-----------------------------------|--|--|-----------------|------|------|---------------------|------|
| I <sub>(CC)</sub>                 |  | CAON = 1, CARSEL = 0, CAREF = 0  | 2.2 V           |      | 25   | 40                  | μA   |
|                                   |  |  | 3 V             |      | 45   | 60                  |      |
| I <sub>(Refladder/RefDiode)</sub> |  | CAON = 1, CARSEL = 0, CAREF = (1, 2, 3),<br>No load at P1.6/CA0 and P1.7/CA1                   | 2.2 V           |      | 30   | 50                  | μA   |
|                                   |  |  | 3 V             |      | 45   | 71                  |      |
| V <sub>(Ref025)</sub>             | Voltage @ 0.25 V <sub>CC</sub> node<br>V <sub>CC</sub> | PCA0 = 1, CARSEL = 1, CAREF = 1,<br>No load at P1.6/CA0 and P1.7/CA1                           | 2.2 V, 3 V      | 0.23 | 0.24 | 0.25                |      |
| V <sub>(Ref050)</sub>             | Voltage @ 0.5 V <sub>CC</sub> node<br>V <sub>CC</sub>  | PCA0 = 1, CARSEL = 1, CAREF = 2,<br>No load at P1.6/CA0 and P1.7/CA1                           | 2.2 V, 3 V      | 0.47 | 0.48 | 0.5                 |      |
| V <sub>(RefVT)</sub>              |  | PCA0 = 1, CARSEL = 1, CAREF = 3,<br>No load at P1.6/CA0 and P1.7/CA1,<br>T <sub>A</sub> = 85°C | 2.2 V           | 390  | 480  | 540                 | mV   |
|                                   |  |  | 3 V             | 400  | 490  | 550                 |      |
| V <sub>IC</sub>                   | Common-mode input<br>voltage range                     | CAON = 1   | 2.2 V, 3 V      | 0    |      | V <sub>CC</sub> – 1 | V    |
| V <sub>p</sub> – V <sub>s</sub>   | Offset voltage <sup>(2)</sup>                          |  | 2.2 V, 3 V      | –30  |      | 30                  | mV   |
| V <sub>hys</sub>                  | Input hysteresis                                       | CAON = 1   | 2.2 V, 3 V      | 0    | 0.7  | 1.4                 | mV   |
| t <sub>(response LH)</sub>        |  | T <sub>A</sub> = 25°C,<br>Overdrive 10 mV, without filter: CAF = 0                             | 2.2 V           | 160  | 210  | 300                 | ns   |
|                                   |  |  | 3 V             | 80   | 150  | 240                 |      |
|                                   |  | T <sub>A</sub> = 25°C,<br>Overdrive 10 mV, without filter: CAF = 1                             | 2.2 V           | 1.4  | 1.9  | 3.4                 | μs   |
|                                   |  |  | 3 V             | 0.9  | 1.5  | 2.6                 |      |
| t <sub>(response HL)</sub>        |  | T <sub>A</sub> = 25°C,<br>Overdrive 10 mV, without filter: CAF = 0                             | 2.2 V           | 130  | 210  | 300                 | ns   |
|                                   |  |  | 3 V             | 80   | 150  | 240                 |      |
|                                   |  | T <sub>A</sub> = 25°C,<br>Overdrive 10 mV, without filter: CAF = 1                             | 2.2 V           | 1.4  | 1.9  | 3.4                 | μs   |
|                                   |  |  | 3 V             | 0.9  | 1.5  | 2.6                 |      |

(1) The leakage current for the Comparator\_A terminals is identical to I<sub>(kg(Px.x))</sub> specification.

(2) The input offset voltage can be cancelled by using the CAEX bit to invert the Comparator\_A inputs on successive measurements. The two successive measurements are then summed together.

### 5.16 Typical Characteristics – Comparator\_A

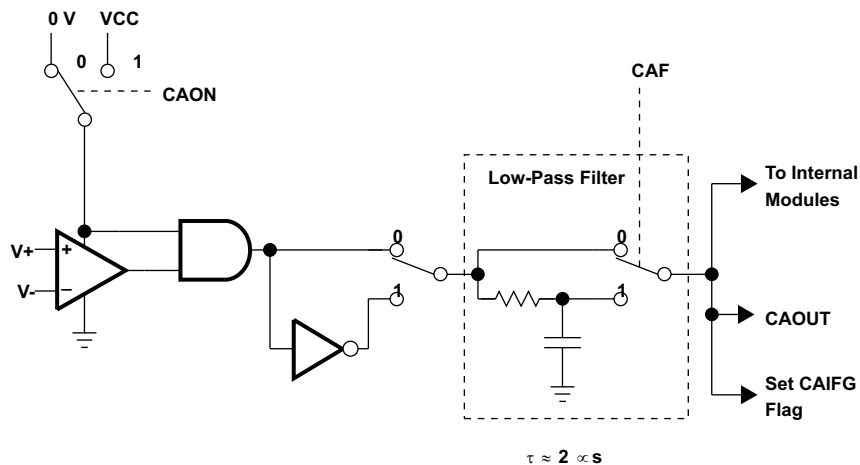
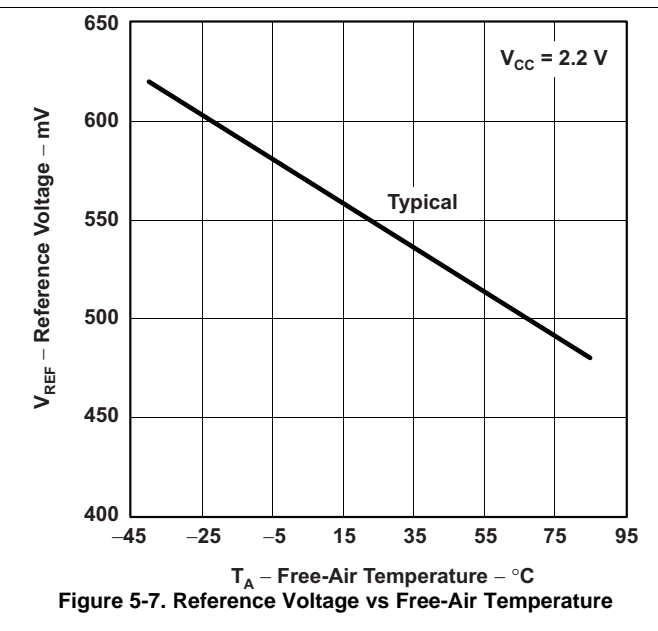
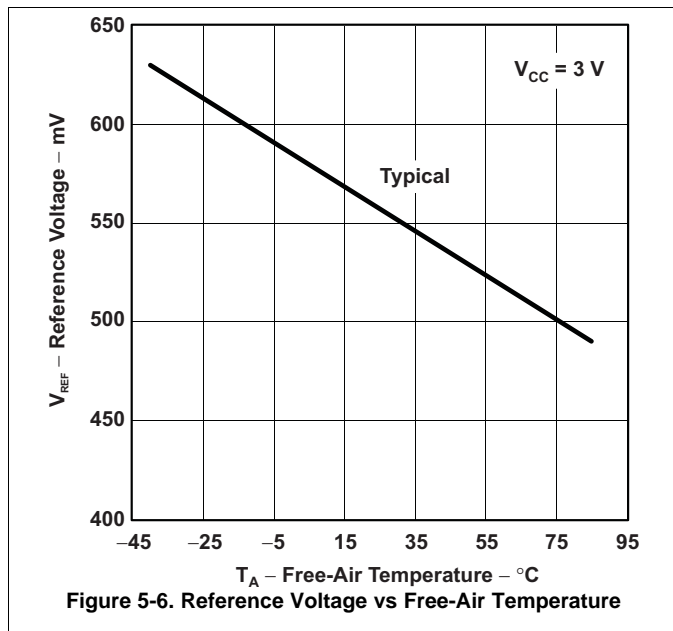


Figure 5-8. Block Diagram of Comparator\_A Module

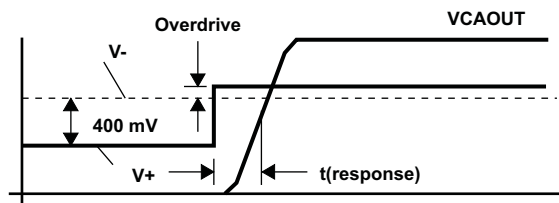


Figure 5-9. Overdrive Definition

## 5.17 POR, BOR

over recommended ranges of supply voltage and operating free-air temperature (unless otherwise noted)<sup>(1)</sup>

| PARAMETER         | TEST CONDITIONS  | MIN | TYP                       | MAX  | UNIT          |
|-------------------|--|-----|---------------------------|------|---------------|
| $t_{d(BOR)}$      |  |     |                           | 2000 | $\mu\text{s}$ |
| $V_{CC(start)}$   | $dV_{CC}/dt \leq 3 \text{ V/s}$ (see Figure 5-10)  |     | $0.7 \times V_{(B\_IT-)}$ |      | V             |
| $V_{(B\_IT-)}$    | $dV_{CC}/dt \leq 3 \text{ V/s}$ (see Figure 5-10 through Figure 5-12)                                    |     |                           | 1.79 | V             |
| $V_{hys(B\_IT-)}$ | $dV_{CC}/dt \leq 3 \text{ V/s}$ (see Figure 5-10)  | 70  | 130                       | 210  | mV            |
| $t_{(reset)}$     | Pulse duration needed at RST/NMI pin to accepted reset internally, $V_{CC} = 2.2 \text{ V}, 3 \text{ V}$ | 2   |                           |      | $\mu\text{s}$ |

(1) The current consumption of the brownout module is already included in the  $I_{CC}$  current consumption data.

(2) The voltage level  $V_{(B\_IT-)} + V_{hys(B\_IT-)} \leq 1.89 \text{ V}$ .

(3) During power up, the CPU begins code execution following a period of  $t_{d(BOR)}$  after  $V_{CC} = V_{(B\_IT-)} + V_{hys(B\_IT-)}$ . The default FLL+ settings must not be changed until  $V_{CC} \geq V_{CC(min)}$ , where  $V_{CC(min)}$  is the minimum supply voltage for the desired operating frequency. See the MSP430x4xx Family User's Guide (SLAU056) for more information on the brownout and SVS circuit.

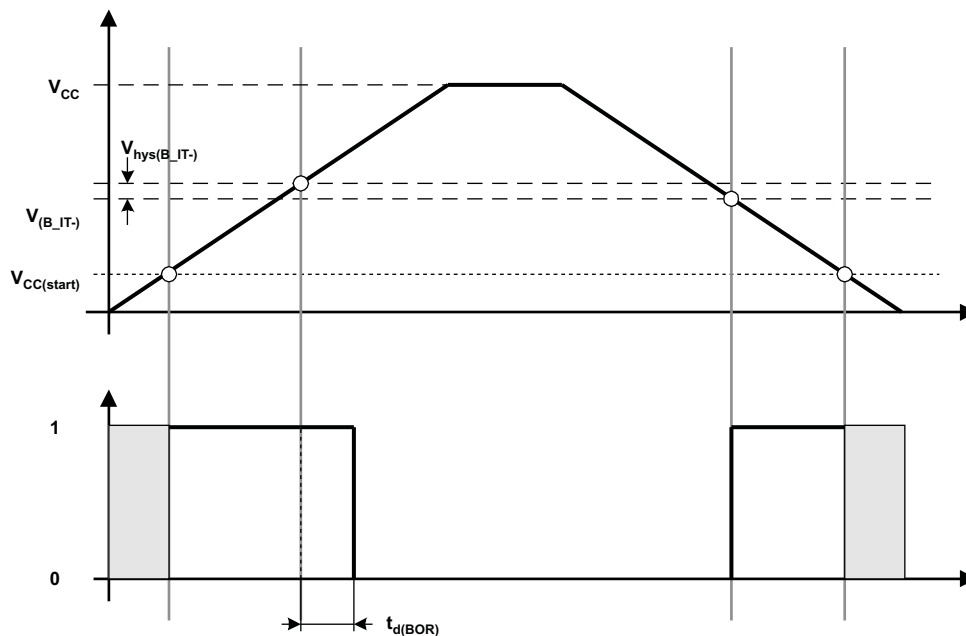


Figure 5-10. POR, BOR vs Supply Voltage

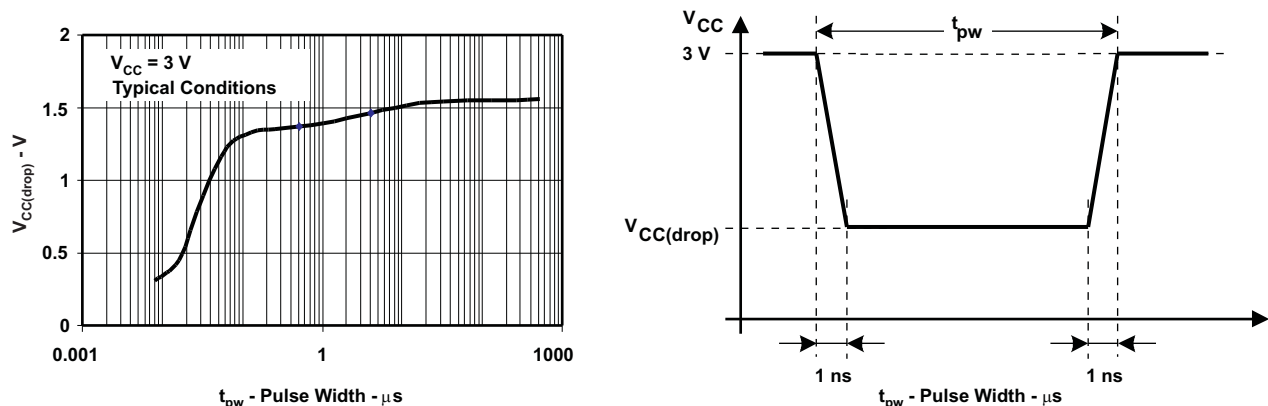


Figure 5-11.  $V_{CC(drop)}$  Level with a Square Voltage Drop to Generate a POR or BOR Signal



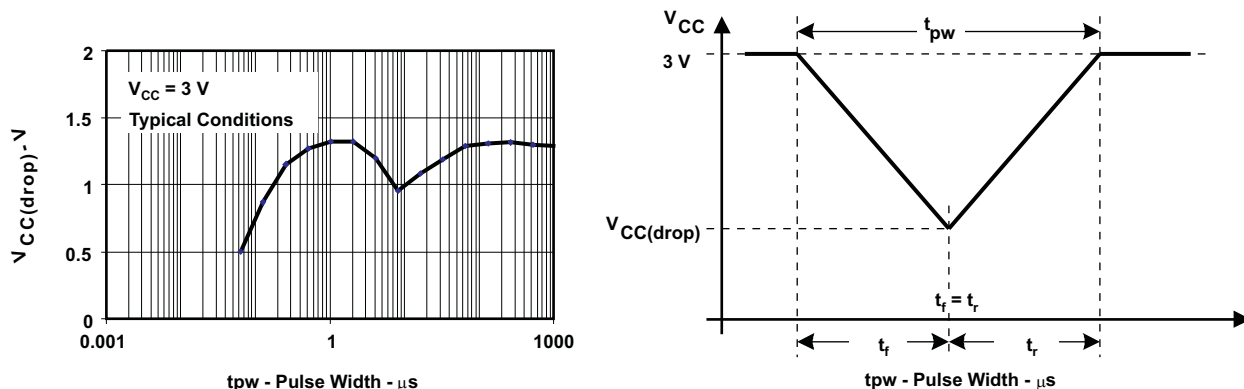


Figure 5-12.  $V_{CC(drop)}$  Level With a Triangle Voltage Drop to Generate a POR or BOR Signal

### 5.18 SVS (Supply Voltage Supervisor and Monitor)

over recommended ranges of supply voltage and operating free-air temperature (unless otherwise noted)

| PARAMETER                         | TEST CONDITIONS  |               | MIN                                  | TYP                | MAX                                  | UNIT          |
|-----------------------------------|--|---------------|--------------------------------------|--------------------|--------------------------------------|---------------|
| $t_{(SVSR)}$                      | $dV_{CC}/dt > 30 \text{ V/ms}$ (see Figure 5-13)                                 |               | 5                                    |                    | 150                                  | $\mu\text{s}$ |
|                                   | $dV_{CC}/dt \leq 30 \text{ V/ms}$  |               |                                      |                    | 2000                                 |               |
| $t_{d(SV\text{Son})}$             | SVS on, switch from VLD = 0 to VLD $\neq$ 0, $V_{CC} = 3 \text{ V}$              |               |                                      | 150                | 300                                  | $\mu\text{s}$ |
| $t_{\text{settle}}$               | VLD $\neq$ 0 <sup>(1)</sup>  |               |                                      |                    | 12                                   | $\mu\text{s}$ |
| $V_{(SV\text{Sstart})}$           | VLD $\neq$ 0, $V_{CC}/dt \leq 3 \text{ V/s}$ (see Figure 5-13)                   |               |                                      | 1.55               | 1.7                                  | V             |
| $V_{\text{hys}(SV\text{S\_IT-})}$ | $V_{CC}/dt \leq 3 \text{ V/s}$ (see Figure 5-13)                                 | VLD = 1       | 70                                   | 120                | 155                                  | mV            |
|                                   |  | VLD = 2 to 14 | $V_{(SV\text{S\_IT-})} \times 0.001$ |                    | $V_{(SV\text{S\_IT-})} \times 0.016$ |               |
|                                   | $V_{CC}/dt \leq 3 \text{ V/s}$ (see Figure 5-13), external voltage applied on A7 | VLD = 15      | 4.4                                  |                    | 20                                   | mV            |
| $V_{(SV\text{S\_IT-})}$           | $V_{CC}/dt \leq 3 \text{ V/s}$ (see Figure 5-13)                                 | VLD = 1       | 1.8                                  | 1.9                | 2.05                                 | V             |
|                                   |  | VLD = 2       | 1.94                                 | 2.1                | 2.23                                 |               |
|                                   |  | VLD = 3       | 2.05                                 | 2.2                | 2.35                                 |               |
|                                   |  | VLD = 4       | 2.14                                 | 2.3                | 2.46                                 |               |
|                                   |  | VLD = 5       | 2.24                                 | 2.4                | 2.58                                 |               |
|                                   |  | VLD = 6       | 2.33                                 | 2.5                | 2.69                                 |               |
|                                   |  | VLD = 7       | 2.46                                 | 2.65               | 2.84                                 |               |
|                                   |  | VLD = 8       | 2.58                                 | 2.8                | 2.97                                 |               |
|                                   |  | VLD = 9       | 2.69                                 | 2.9                | 3.10                                 |               |
|                                   |  | VLD = 10      | 2.83                                 | 3.05               | 3.26                                 |               |
|                                   |  | VLD = 11      | 2.94                                 | 3.2                | 3.39                                 |               |
|                                   |  | VLD = 12      | 3.11                                 | 3.35               | 3.58 <sup>(2)</sup>                  |               |
|                                   |  | VLD = 13      | 3.24                                 | 3.5                | 3.73 <sup>(2)</sup>                  |               |
|                                   |  | VLD = 14      | 3.43                                 | 3.7 <sup>(2)</sup> | 3.96 <sup>(2)</sup>                  |               |
|                                   | $V_{CC}/dt \leq 3 \text{ V/s}$ (see Figure 5-13), external voltage applied on A7 | VLD = 15      | 1.1                                  | 1.2                | 1.3                                  |               |
| $I_{CC(SVS)}$ <sup>(3)</sup>      | VLD $\neq$ 0, $V_{CC} = 2.2 \text{ V}, 3 \text{ V}$                              |               |                                      | 10                 | 15                                   | $\mu\text{A}$ |

- (1)  $t_{\text{settle}}$  is the settling time that the comparator output needs to have a stable level after VLD is switched from VLD  $\neq$  0 to a different VLD value from 2 to 15. The overdrive is assumed to be  $> 50 \text{ mV}$ .
- (2) The recommended operating voltage range is limited to 3.6 V.
- (3) The current consumption of the SVS module is not included in the  $I_{CC}$  current consumption data.

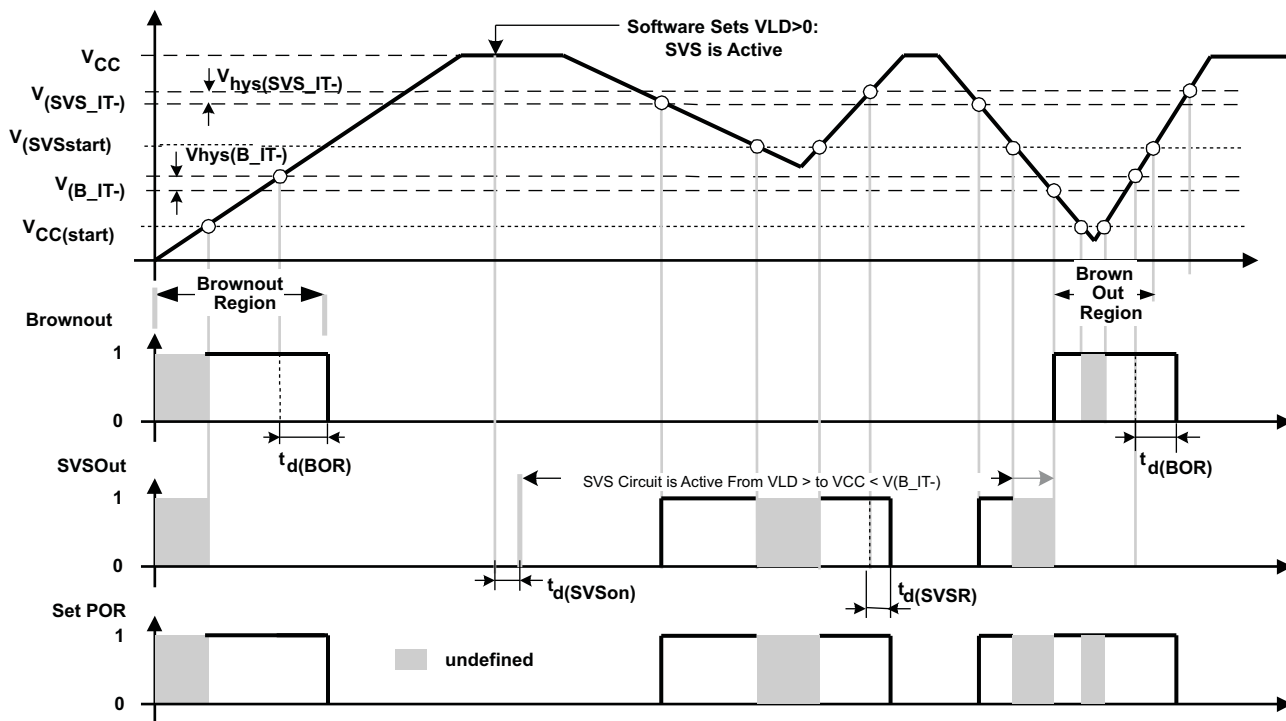


Figure 5-13. SVS Reset (SVSR) vs Supply Voltage

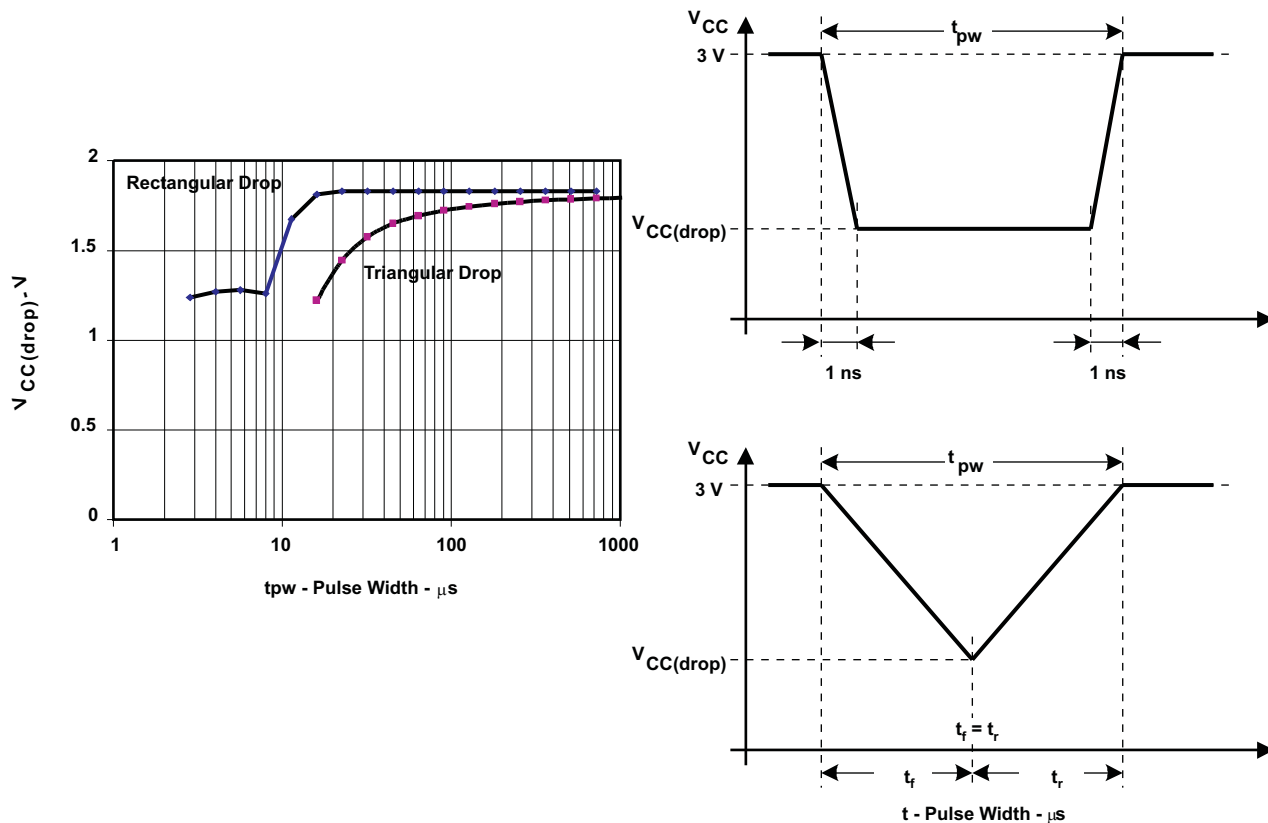


Figure 5-14.  $V_{CC(drop)}$  with a Square Voltage Drop and a Triangle Voltage Drop to Generate an SVS Signal

## 5.19 DCO

over recommended ranges of supply voltage and operating free-air temperature (unless otherwise noted)

| PARAMETER               | TEST CONDITIONS   | V <sub>CC</sub> | MIN  | TYP  | MAX  | UNIT |
|-------------------------|---|-----------------|------|------|------|------|
| f <sub>(DCOCLK)</sub>   | N <sub>(DCO)</sub> = 01Eh, FN <sub>8</sub> = FN <sub>4</sub> = FN <sub>3</sub> = FN <sub>2</sub> = 0, D = 2, DCOPLUS = 0  | 2.2 V, 3 V      |      | 1    |      | MHz  |
| f <sub>(DCO = 2)</sub>  | FN <sub>8</sub> = FN <sub>4</sub> = FN <sub>3</sub> = FN <sub>2</sub> = 0, DCOPLUS = 1  | 2.2 V           | 0.3  | 0.65 | 1.25 | MHz  |
|                         |   | 3 V             | 0.3  | 0.7  | 1.3  |      |
| f <sub>(DCO = 27)</sub> | FN <sub>8</sub> = FN <sub>4</sub> = FN <sub>3</sub> = FN <sub>2</sub> = 0, DCOPLUS = 1  | 2.2 V           | 2.5  | 5.6  | 10.5 | MHz  |
|                         |   | 3 V             | 2.7  | 6.1  | 11.3 |      |
| f <sub>(DCO = 2)</sub>  | FN <sub>8</sub> = FN <sub>4</sub> = FN <sub>3</sub> = FN <sub>2</sub> = 1, DCOPLUS = 1  | 2.2 V           | 0.7  | 1.3  | 2.3  | MHz  |
|                         |   | 3 V             | 0.8  | 1.5  | 2.5  |      |
| f <sub>(DCO = 27)</sub> | FN <sub>8</sub> = FN <sub>4</sub> = FN <sub>3</sub> = FN <sub>2</sub> = 1, DCOPLUS = 1  | 2.2 V           | 5.7  | 10.8 | 18   | MHz  |
|                         |   | 3 V             | 6.5  | 12.1 | 20   |      |
| f <sub>(DCO = 2)</sub>  | FN <sub>8</sub> = FN <sub>4</sub> = 0, FN <sub>3</sub> = 1, FN <sub>2</sub> = x, DCOPLUS = 1  | 2.2 V           | 1.2  | 2    | 3    | MHz  |
|                         |   | 3 V             | 1.3  | 2.2  | 3.5  |      |
| f <sub>(DCO = 27)</sub> | FN <sub>8</sub> = FN <sub>4</sub> = 0, FN <sub>3</sub> = 1, FN <sub>2</sub> = x, DCOPLUS = 1  | 2.2 V           | 9    | 15.5 | 25   | MHz  |
|                         |   | 3 V             | 10.3 | 17.9 | 28.5 |      |
| f <sub>(DCO = 2)</sub>  | FN <sub>8</sub> = 0, FN <sub>4</sub> = 1, FN <sub>3</sub> = FN <sub>2</sub> = x, DCOPLUS = 1  | 2.2 V           | 1.8  | 2.8  | 4.2  | MHz  |
|                         |   | 3 V             | 2.1  | 3.4  | 5.2  |      |
| f <sub>(DCO = 27)</sub> | FN <sub>8</sub> = 0, FN <sub>4</sub> = 1, FN <sub>3</sub> = FN <sub>2</sub> = x, DCOPLUS = 1  | 2.2 V           | 13.5 | 21.5 | 33   | MHz  |
|                         |   | 3 V             | 16   | 26.6 | 41   |      |
| f <sub>(DCO = 2)</sub>  | FN <sub>8</sub> = 1, FN <sub>4</sub> = 1 = FN <sub>3</sub> = FN <sub>2</sub> = x, DCOPLUS = 1   | 2.2 V           | 2.8  | 4.2  | 6.2  | MHz  |
|                         |   | 3 V             | 4.2  | 6.3  | 9.2  |      |
| f <sub>(DCO = 27)</sub> | FN <sub>8</sub> = 1, FN <sub>4</sub> = 1 = FN <sub>3</sub> = FN <sub>2</sub> = x, DCOPLUS = 1   | 2.2 V           | 21   | 32   | 46   | MHz  |
|                         |   | 3 V             | 30   | 46   | 70   |      |
| S <sub>n</sub>          | Step size between adjacent DCO taps:<br>S <sub>n</sub> = f <sub>(DCO(Tap n+1))</sub> / f <sub>(DCO(Tap n))</sub> (see Figure 5-16 for taps 21 to 27)              | 1 < TAP ≤ 20    | 1.06 |      | 1.11 |      |
|                         |   | TAP = 27        | 1.07 |      | 1.17 |      |
| D <sub>t</sub>          | Temperature drift, N <sub>(DCO)</sub> = 01Eh,<br>FN <sub>8</sub> = FN <sub>4</sub> = FN <sub>3</sub> = FN <sub>2</sub> = 0, D = 2, DCOPLUS = 0                    | 2.2 V           | -0.2 | -0.3 | -0.4 | %°C  |
|                         |   | 3 V             | -0.2 | -0.3 | -0.4 |      |
| D <sub>V</sub>          | Drift with V <sub>CC</sub> variation, N <sub>(DCO)</sub> = 01Eh,<br>FN <sub>8</sub> = FN <sub>4</sub> = FN <sub>3</sub> = FN <sub>2</sub> = 0, D = 2, DCOPLUS = 0 |                 | 0    | 5    | 15   | %/V  |

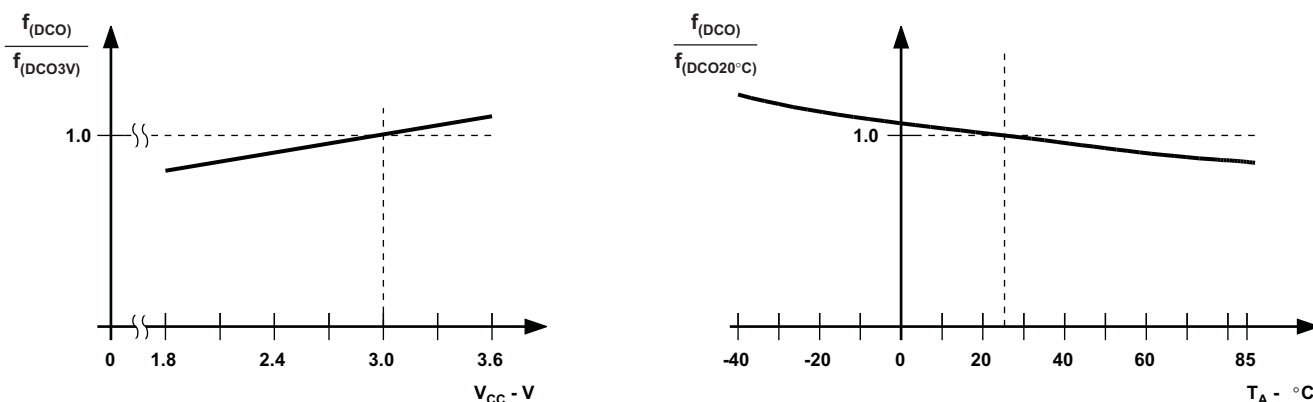


Figure 5-15. DCO Frequency vs Supply Voltage V<sub>CC</sub> and vs Ambient Temperature

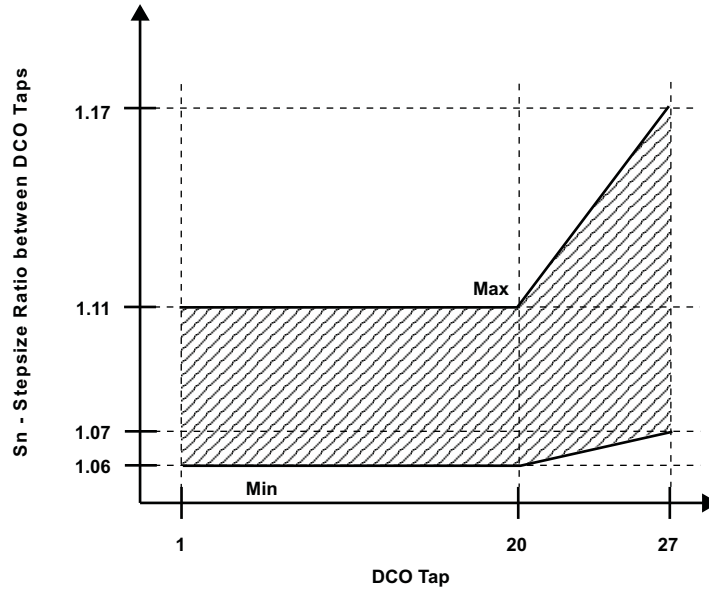


Figure 5-16. DCO Tap Step Size

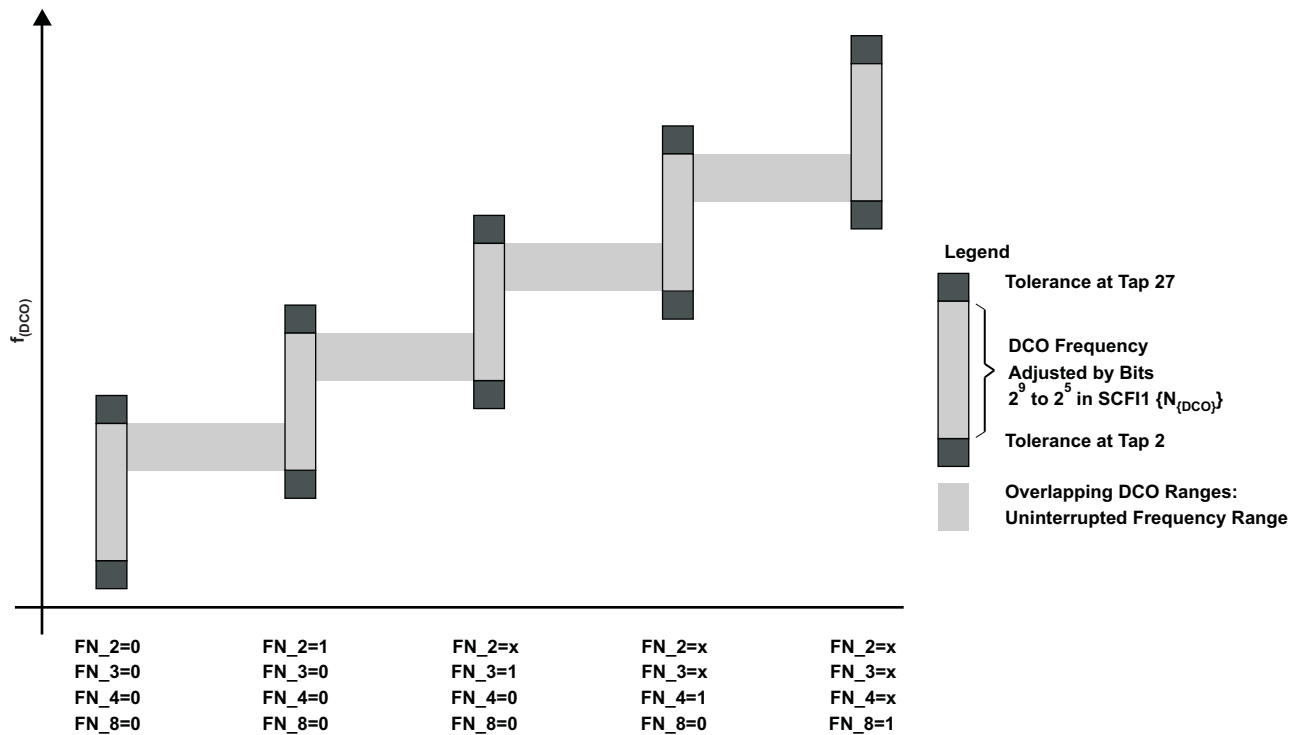


Figure 5-17. Five Overlapping DCO Ranges Controlled by FN\_x Bits

## 5.20 Crystal Oscillator, LFXT1 Oscillator

over recommended ranges of supply voltage and operating free-air temperature (unless otherwise noted)<sup>(1) (2)</sup>

| PARAMETER         |  | TEST CONDITIONS                             | MIN                   | TYP | MAX                   | UNIT |
|-------------------|--|---|-----------------------|-----|-----------------------|------|
| C <sub>XIN</sub>  | Integrated input capacitance <sup>(3)</sup>  | OSCCAPx = 0h, V <sub>CC</sub> = 2.2 V, 3 V  |                       | 0   |                       | pF   |
|                   |  | OSCCAPx = 1h, V <sub>CC</sub> = 2.2 V, 3 V  |                       | 10  |                       |      |
|                   |  | OSCCAPx = 2h, V <sub>CC</sub> = 2.2 V, 3 V  |                       | 14  |                       |      |
|                   |  | OSCCAPx = 3h, V <sub>CC</sub> = 2.2 V, 3 V  |                       | 18  |                       |      |
| C <sub>XOUT</sub> | Integrated output capacitance <sup>(3)</sup> | OSCCAPx = 0h, V <sub>CC</sub> = 2.2 V, 3 V  |                       | 0   |                       | pF   |
|                   |  | OSCCAPx = 1h, V <sub>CC</sub> = 2.2 V, 3 V  |                       | 10  |                       |      |
|                   |  | OSCCAPx = 2h, V <sub>CC</sub> = 2.2 V, 3 V  |                       | 14  |                       |      |
|                   |  | OSCCAPx = 3h, V <sub>CC</sub> = 2.2 V, 3 V  |                       | 18  |                       |      |
| V <sub>IL</sub>   | Low-level input voltage at XIN               | V <sub>CC</sub> = 2.2 V, 3 V <sup>(4)</sup> | V <sub>SS</sub>       |     | 0.2 × V <sub>CC</sub> | V    |
| V <sub>IH</sub>   | High-level input voltage at XIN              | V <sub>CC</sub> = 2.2 V, 3 V <sup>(4)</sup> | 0.8 × V <sub>CC</sub> |     | V <sub>CC</sub>       | V    |

(1) The parasitic capacitance from the package and board may be estimated to be 2 pF. The effective load capacitor for the crystal is  $(C_{XIN} \times C_{XOUT}) / (C_{XIN} + C_{XOUT})$ . This is independent of XTS\_FLL.

(2) To improve EMI on the low-power LFXT1 oscillator, particularly in the LF mode (32 kHz), the following guidelines should be observed.

- Keep the trace between the MCU and the crystal as short as possible.
- Design a good ground plane around the oscillator pins.
- Prevent crosstalk from other clock or data lines into oscillator pins XIN and XOUT.
- Avoid running PCB traces underneath or adjacent to the XIN and XOUT pins.
- Use assembly materials and processes that avoid any parasitic load on the oscillator XIN and XOUT pins.
- If conformal coating is used, ensure that it does not induce capacitive or resistive leakage between the oscillator pins.
- Do not route the XOUT line to the JTAG header to support the serial programming adapter as shown in other documentation. This signal is no longer required for the serial programming adapter.

(3) TI recommends external capacitance for precision real-time clock applications; OSCCAPx = 0h.

(4) Applies only when using an external logic-level clock source. XTS\_FLL must be set. Not applicable when using a crystal or resonator.

## 5.21 Crystal Oscillator, XT2 Oscillator

over recommended ranges of supply voltage and operating free-air temperature (unless otherwise noted)<sup>(1)</sup>

| PARAMETER           |                               | TEST CONDITIONS                             | MIN                   | TYP | MAX                   | UNIT |
|---------------------|-------------------------------|---|-----------------------|-----|-----------------------|------|
| C <sub>XT2IN</sub>  | Integrated input capacitance  | V <sub>CC</sub> = 2.2 V, 3 V                |                       | 2   |                       | pF   |
| C <sub>XT2OUT</sub> | Integrated output capacitance | V <sub>CC</sub> = 2.2 V, 3 V                |                       | 2   |                       | pF   |
| V <sub>IL</sub>     | Input levels at XT2IN         |   | V <sub>SS</sub>       |     | 0.2 × V <sub>CC</sub> | V    |
| V <sub>IH</sub>     |                               | V <sub>CC</sub> = 2.2 V, 3 V <sup>(2)</sup> | 0.8 × V <sub>CC</sub> |     | V <sub>CC</sub>       | V    |

(1) The oscillator needs capacitors at both terminals, with values specified by the crystal manufacturer.

(2) Applies only when using an external logic-level clock source. Not applicable when using a crystal or resonator.

## 5.22 USCI (UART Mode)

over recommended ranges of supply voltage and operating free-air temperature (unless otherwise noted)

| PARAMETER           |   | TEST CONDITIONS  | V <sub>CC</sub> | MIN | TYP | MAX                 | UNIT |
|---------------------|---|--|-----------------|-----|-----|---------------------|------|
| f <sub>USCI</sub>   | USCI input clock frequency                            | Internal: SMCLK, ACLK<br>External: UCLK<br>Duty cycle = 50% ±10% |                 |     |     | f <sub>SYSTEM</sub> | MHz  |
| f <sub>BITCLK</sub> | BITCLK clock frequency<br>(equals baud rate in MBaud) |  | 2.2 V, 3 V      |     |     | 1                   | MHz  |
| t <sub>r</sub>      | UART receive deglitch time UART <sup>(1)</sup>        |  | 2.2 V           | 50  | 150 | 600                 | ns   |
|                     |   |  | 3 V             | 50  | 100 | 600                 |      |

(1) Pulses on the UART receive input (UCxRX) shorter than the UART receive deglitch time are suppressed. To ensure that pulses are correctly recognized, their duration should exceed the maximum specification of the deglitch time.

### 5.23 USCI (SPI Master Mode)

over recommended ranges of supply voltage and operating free-air temperature (unless otherwise noted) (see [Figure 5-18](#) and [Figure 5-19](#))

| PARAMETER             |                             | TEST CONDITIONS                                 | V <sub>CC</sub> | MIN                 | MAX | UNIT |
|-----------------------|-----------------------------|---|-----------------|---------------------|-----|------|
| f <sub>USCI</sub>     | USCI input clock frequency  | SMCLK, ACLK<br>Duty cycle = 50% ±10%            |                 | f <sub>SYSTEM</sub> |     | MHz  |
| t <sub>SU,MI</sub>    | SOMI input data setup time  |   | 2.2 V           | 110                 |     | ns   |
|                       |                             |   | 3 V             | 75                  |     |      |
| t <sub>HD,MI</sub>    | iSOMI input data hold time  |   | 2.2 V           | 0                   |     | ns   |
|                       |                             |   | 3 V             | 0                   |     |      |
| t <sub>VALID,MO</sub> | SIMO output data valid time | UCLK edge to SIMO valid, C <sub>L</sub> = 20 pF | 2.2 V           |                     | 30  | ns   |
|                       |                             |   | 3 V             |                     | 20  |      |

### 5.24 USCI (SPI Slave Mode)

over recommended ranges of supply voltage and operating free-air temperature (unless otherwise noted) (see [Figure 5-20](#) and [Figure 5-21](#))

| PARAMETER             |   | TEST CONDITIONS                                 | V <sub>CC</sub> | MIN | TYP | MAX | UNIT |
|-----------------------|---|---|-----------------|-----|-----|-----|------|
| t <sub>STE,LEAD</sub> | STE lead time<br>STE low to clock                   |   | 2.2 V, 3 V      |     | 50  |     | ns   |
| t <sub>STE,LAG</sub>  | STE lag time<br>Last clock to STE high              |   | 2.2 V, 3 V      | 10  |     |     | ns   |
| t <sub>STE,ACC</sub>  | STE access time<br>STE low to SOMI data out         |   | 2.2 V, 3 V      |     | 50  |     | ns   |
| t <sub>STE,DIS</sub>  | STE disable time<br>STE high to SOMI high impedance |   | 2.2 V, 3 V      |     | 50  |     | ns   |
| t <sub>SU,SI</sub>    | SIMO input data setup time                          |   | 2.2 V           | 20  |     |     | ns   |
|                       |   |   | 3 V             | 15  |     |     |      |
| t <sub>HD,SI</sub>    | SIMO input data hold time                           |   | 2.2 V           | 10  |     |     | ns   |
|                       |   |   | 3 V             | 10  |     |     |      |
| t <sub>VALID,SO</sub> | SOMI output data valid time                         | UCLK edge to SOMI valid, C <sub>L</sub> = 20 pF | 2.2 V           |     | 75  | 110 | ns   |
|                       |   |   | 3 V             |     | 50  | 75  |      |

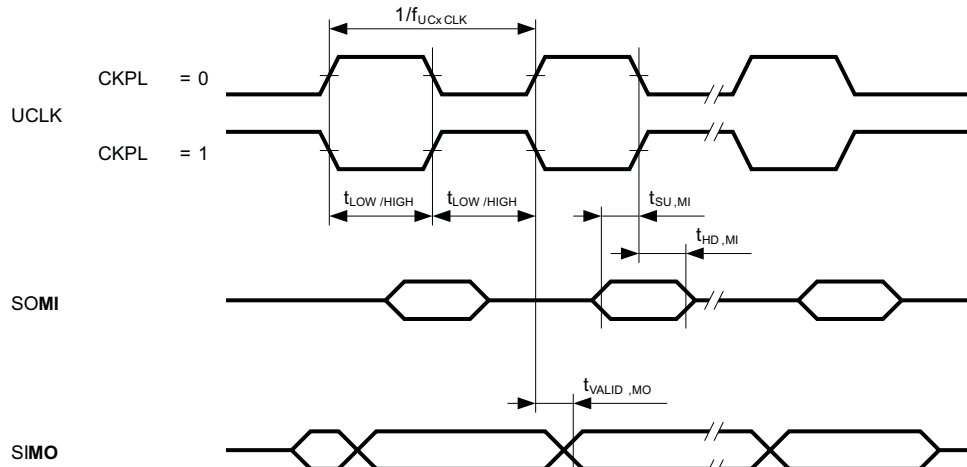


Figure 5-18. SPI Master Mode, CKPH = 0

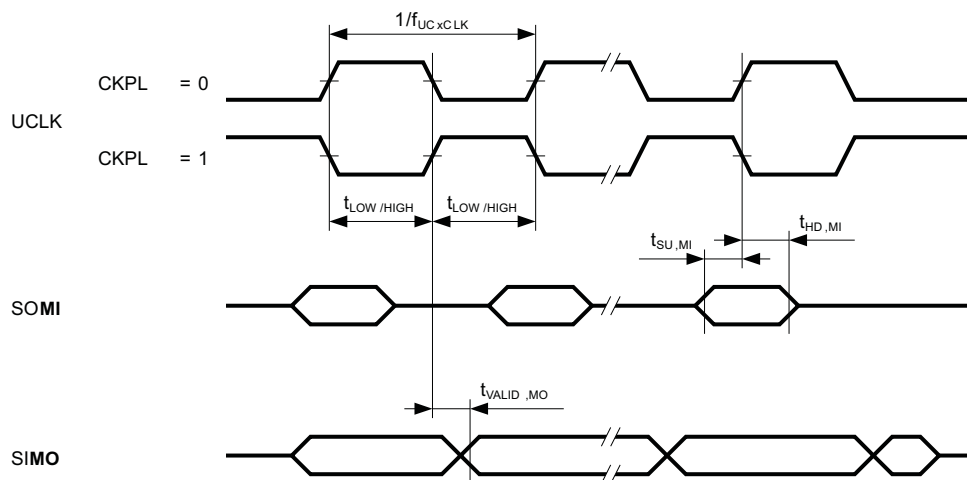


Figure 5-19. SPI Master Mode, CKPH = 1

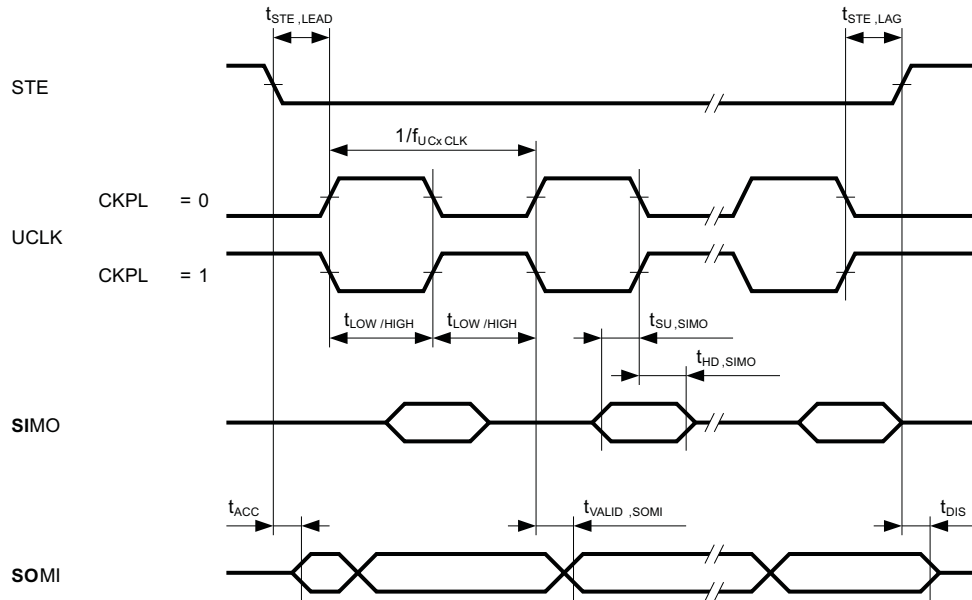


Figure 5-20. SPI Slave Mode, CKPH = 0

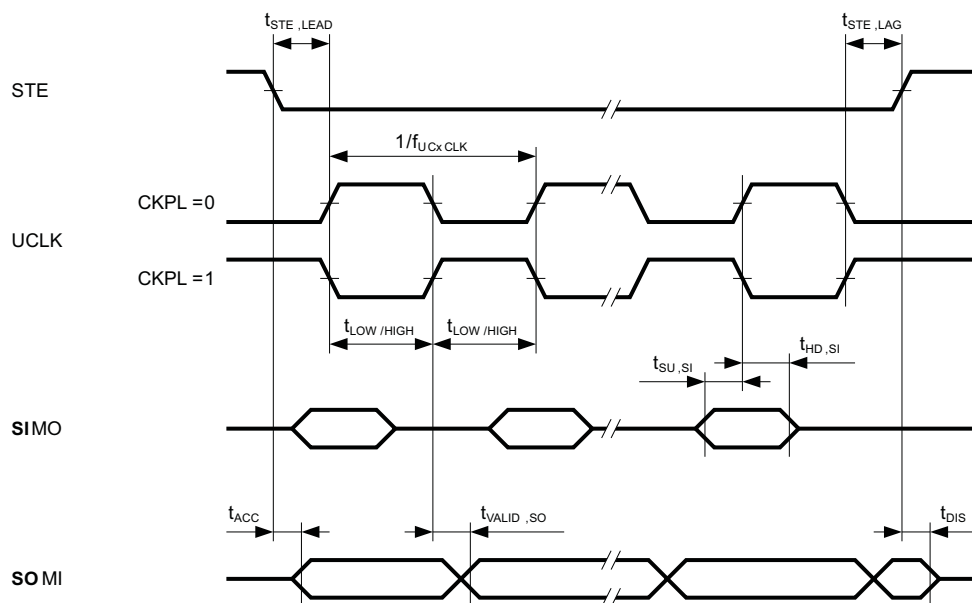


Figure 5-21. SPI Slave Mode, CKPH = 1



### 5.25 USCI (I<sup>2</sup>C Mode)

over recommended ranges of supply voltage and operating free-air temperature (unless otherwise noted) (see Figure 5-22)

| PARAMETER           | TEST CONDITIONS                                     | V <sub>CC</sub>            | MIN        | TYP | MAX                 | UNIT |    |
|---------------------|---|----------------------------|------------|-----|---------------------|------|----|
| f <sub>USCI</sub>   | USCI input clock frequency                          |                            |            |     | f <sub>SYSTEM</sub> | MHz  |    |
| f <sub>SCL</sub>    | SCL clock frequency                                 | 2.2 V, 3 V                 | 0          |     | 400                 | kHz  |    |
| t <sub>HD,STA</sub> | Hold time (repeated) START                          | f <sub>SCL</sub> ≤ 100 kHz | 2.2 V, 3 V | 4   |                     | μs   |    |
|                     |   | f <sub>SCL</sub> > 100 kHz | 2.2 V, 3 V | 0.6 |                     |      |    |
| t <sub>SU,STA</sub> | Setup time for a repeated START                     | f <sub>SCL</sub> ≤ 100 kHz | 2.2 V, 3 V | 4.7 |                     | μs   |    |
|                     |   | f <sub>SCL</sub> > 100 kHz | 2.2 V, 3 V | 0.6 |                     |      |    |
| t <sub>HD,DAT</sub> | Data hold time                                      |                            | 2.2 V, 3 V | 0   |                     | ns   |    |
| t <sub>SU,DAT</sub> | Data setup time                                     |                            | 2.2 V, 3 V | 250 |                     | ns   |    |
| t <sub>SU,STO</sub> | Setup time for STOP                                 |                            | 2.2 V, 3 V | 4   |                     | μs   |    |
| t <sub>SP</sub>     | Pulse duration of spikes suppressed by input filter |                            | 2.2 V      | 50  | 150                 | 600  | ns |
|                     |   |                            | 3 V        | 50  | 100                 | 600  |    |

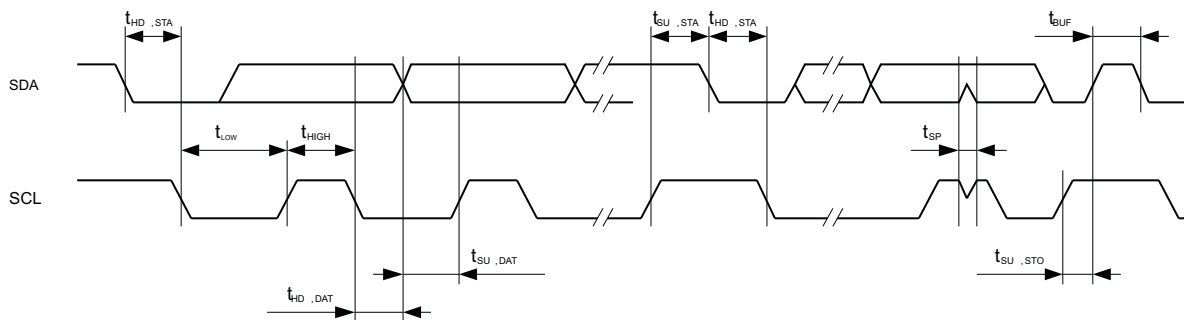


Figure 5-22. I<sup>2</sup>C Mode Timing

### 5.26 USART1

over recommended ranges of supply voltage and operating free-air temperature (unless otherwise noted)<sup>(1)</sup>

| PARAMETER        | TEST CONDITIONS                              | MIN | TYP | MAX | UNIT |
|------------------|--|-----|-----|-----|------|
| t <sub>(T)</sub> | V <sub>CC</sub> = 2.2 V, SYNC = 0, UART mode | 200 | 430 | 800 | ns   |
|                  | V <sub>CC</sub> = 3 V, SYNC = 0, UART mode   | 150 | 280 | 500 |      |

(1) The signal applied to the USART1 receive signal (terminal) (URXD1) must meet the timing requirements of t<sub>(T)</sub> to ensure that the URXS flip-flop is set. The URXS flip-flop is set with negative pulses that meet the minimum-timing condition of t<sub>(T)</sub>. The operating conditions to set the flag must be met independently from this timing constraint. The deglitch circuitry is active only on negative transitions on the URXD1 line.

## 5.27 12-Bit ADC, Power Supply and Input Range Conditions

over recommended ranges of supply voltage and operating free-air temperature (unless otherwise noted)<sup>(1)</sup>

| PARAMETER       |  | TEST CONDITIONS  | MIN                     | TYP  | MAX        | UNIT     |
|-----------------|--|--|-------------------------|------|------------|----------|
| $V_{CC}$        | Analog supply voltage  | $V_{CC}$ and $DV_{CC}$ are connected together, $V_{SS}$ and $DV_{SS}$ are connected together, $V_{(AVSS)} = V_{(DVSS)} = 0\text{ V}$ | 2.2                     |      | 3.6        | V        |
| $V_{(P6.x/Ax)}$ | Analog input voltage range <sup>(2)</sup>                      | All external Ax terminals, Analog inputs selected in ADC12MCTLx register, P6Sel.x = 1, $V_{(AVSS)} \leq V_{Ax} \leq V_{(AVCC)}$      | 0                       |      | $V_{AVCC}$ | V        |
| $I_{ADC12}$     | Operating supply current into $V_{CC}$ terminal <sup>(3)</sup> | $f_{ADC12CLK} = 5.0\text{ MHz}$ ,<br>ADC12ON = 1, REFON = 0,<br>SHT0 = 0, SHT1 = 0, ADC12DIV = 0                                     | $V_{CC} = 2.2\text{ V}$ | 0.65 | 1.3        | mA       |
|                 |  |  | $V_{CC} = 3\text{ V}$   | 0.8  | 1.6        |          |
| $I_{REF+}$      | Operating supply current into $V_{CC}$ terminal <sup>(4)</sup> | $f_{ADC12CLK} = 5.0\text{ MHz}$ ,<br>ADC12ON = 0, REFON = 1, REF2_5V = 1   | $V_{CC} = 3\text{ V}$   | 0.5  | 0.8        | mA       |
|                 |  | $f_{ADC12CLK} = 5.0\text{ MHz}$ ,<br>ADC12ON = 0, REFON = 1, REF2_5V = 0   | $V_{CC} = 2.2\text{ V}$ | 0.5  | 0.8        |          |
| $C_i$           | Input capacitance  | Only one terminal can be selected at one time, Ax  | $V_{CC} = 2.2\text{ V}$ |      | 40         | pF       |
| $R_i$           | Input MUX ON resistance  | $0\text{ V} \leq V_{Ax} \leq V_{AVCC}$   | $V_{CC} = 3\text{ V}$   |      | 2000       | $\Omega$ |

- (1) The leakage current is defined in the leakage current table with Ax parameter.
- (2) The analog input voltage range must be within the selected reference voltage range  $V_{R+}$  to  $V_{R-}$  for valid conversion results.
- (3) The internal reference supply current is not included in current consumption parameter  $I_{ADC12}$ .
- (4) The internal reference current is supplied from terminal  $V_{CC}$ . Consumption is independent of the ADC12ON control bit, unless a conversion is active. The REFON bit enables to settle the built-in reference before starting an A/D conversion.

## 5.28 12-Bit ADC, External Reference

over recommended ranges of supply voltage and operating free-air temperature (unless otherwise noted)<sup>(1)</sup>

| PARAMETER                        |   | TEST CONDITIONS                               | MIN                                 | TYP | MAX        | UNIT          |
|----------------------------------|---|---|-------------------------------------|-----|------------|---------------|
| $V_{REF+}$                       | Positive external reference voltage input     | $V_{REF+} > V_{REF-}/V_{REF-}$ <sup>(2)</sup> | 1.4                                 |     | $V_{AVCC}$ | V             |
| $V_{REF-}/V_{REF-}$              | Negative external reference voltage input     | $V_{REF+} > V_{REF-}/V_{REF-}$ <sup>(3)</sup> | 0                                   |     | 1.2        | V             |
| $(V_{REF+} - V_{REF-}/V_{REF-})$ | Differential external reference voltage input | $V_{REF+} > V_{REF-}/V_{REF-}$ <sup>(4)</sup> | 1.4                                 |     | $V_{AVCC}$ | V             |
| $I_{VREF+}$                      | Input leakage current                         | $0\text{ V} \leq V_{REF+} \leq V_{AVCC}$      | $V_{CC} = 2.2\text{ V}, 3\text{ V}$ |     | $\pm 1$    | $\mu\text{A}$ |
| $I_{VREF-}/V_{REF-}$             | Input leakage current                         | $0\text{ V} \leq V_{REF-} \leq V_{AVCC}$      | $V_{CC} = 2.2\text{ V}, 3\text{ V}$ |     | $\pm 1$    | $\mu\text{A}$ |

- (1) The external reference is used during conversion to charge and discharge the capacitance array. The input capacitance,  $C_i$ , is also the dynamic load for an external reference during conversion. The dynamic impedance of the reference supply should follow the recommendations on analog-source impedance to allow the charge to settle for 12-bit accuracy.
- (2) The accuracy limits the minimum positive external reference voltage. Lower reference voltage levels may be applied with reduced accuracy requirements.
- (3) The accuracy limits the maximum negative external reference voltage. Higher reference voltage levels may be applied with reduced accuracy requirements.
- (4) The accuracy limits minimum external differential reference voltage. Lower differential reference voltage levels may be applied with reduced accuracy requirements.

### 5.29 12-Bit ADC, Built-In Reference

over recommended ranges of supply voltage and operating free-air temperature (unless otherwise noted)

| PARAMETER              | TEST CONDITIONS  | MIN                          | TYP  | MAX | UNIT |        |
|------------------------|--|------------------------------|------|-----|------|--------|
| V <sub>REF+</sub>      | Positive built in reference voltage output<br>REF2_5V = 1 for 2.5 V,<br>I <sub>VREF+max</sub> ≤ I <sub>VREF+</sub> ≤ I <sub>VREF+min</sub>   | V <sub>CC</sub> = 3 V        | 2.4  | 2.5 | 2.6  | V      |
|                        | REF2_5V = 0 for 1.5 V,<br>I <sub>VREF+max</sub> ≤ I <sub>VREF+</sub> ≤ I <sub>VREF+min</sub>   | V <sub>CC</sub> = 2.2 V, 3 V | 1.44 | 1.5 | 1.56 |        |
| AV <sub>CC(min)</sub>  | AV <sub>CC</sub> minimum voltage, Positive built in reference active<br>REF2_5V = 0, I <sub>VREF+max</sub> ≤ I <sub>VREF+</sub> ≤ I <sub>VREF+min</sub>  |                              | 2.2  |     |      | V      |
|                        | REF2_5V = 1, I <sub>VREF+min</sub> ≥ I <sub>VREF+</sub> ≥ -0.5 mA  |                              | 2.8  |     |      |        |
|                        | REF2_5V = 1, I <sub>VREF+min</sub> ≥ I <sub>VREF+</sub> ≥ -1 mA  |                              | 2.9  |     |      |        |
| I <sub>VREF+</sub>     | Load current out of V <sub>REF+</sub> terminal   | V <sub>CC</sub> = 2.2 V      | 0.01 |     | -0.5 | mA     |
|                        |  | V <sub>CC</sub> = 3 V        | 0.01 |     | -1   |        |
| I <sub>L(VREF+)</sub>  | Load-current regulation, V <sub>REF+</sub> terminal<br>I <sub>VREF+</sub> = 500 μA ±100 μA,<br>Analog input voltage ≈ 0.75 V,<br>REF2_5V = 0   | V <sub>CC</sub> = 2.2 V      |      |     | ±2   | LSB    |
|                        |  | V <sub>CC</sub> = 3 V        |      |     | ±2   |        |
| I <sub>DL(VREF+)</sub> | Load current regulation, V <sub>REF+</sub> terminal<br>I <sub>VREF+</sub> = 500 μA ±100 μA,<br>Analog input voltage ≈ 1.25 V,<br>REF2_5V = 1   | V <sub>CC</sub> = 3 V        |      |     | ±2   | ns     |
|                        | I <sub>VREF+</sub> = 100 μA → 900 μA,<br>C <sub>VREF+</sub> = 5 μF, A <sub>X</sub> ≈ 0.5 × V <sub>REF+</sub> ,<br>Error of conversion result ≤ 1 LSB   | V <sub>CC</sub> = 3 V        |      |     | 20   |        |
| C <sub>VREF+</sub>     | Capacitance at pin V <sub>REF+</sub> <sup>(1)</sup><br>REFON = 1,<br>0 mA ≤ I <sub>VREF+</sub> ≤ I <sub>VREF+max</sub>   | V <sub>CC</sub> = 2.2 V, 3 V | 5    | 10  |      | μF     |
| T <sub>REF+</sub>      | Temperature coefficient of built-in reference<br>I <sub>VREF+</sub> is a constant in the range of<br>0 mA ≤ I <sub>VREF+</sub> ≤ 1 mA  | V <sub>CC</sub> = 2.2 V, 3 V |      |     | ±100 | ppm/°C |
| t <sub>REFON</sub>     | Settling time of internal reference voltage (see Figure 5-23) <sup>(2)</sup><br>I <sub>VREF+</sub> = 0.5 mA, C <sub>VREF+</sub> = 10 μF,<br>V <sub>REF+</sub> = 1.5 V, V <sub>AVCC</sub> = 2.2 V |                              |      |     | 17   | ms     |

- (1) The internal buffer operational amplifier and the accuracy specifications require an external capacitor. All INL and DNL tests uses two capacitors between pins V<sub>REF+</sub> and AV<sub>SS</sub> and V<sub>REF-</sub>/V<sub>eREF-</sub> and AV<sub>SS</sub>: 10-μF tantalum and 100-nF ceramic.
- (2) The condition is that the error in a conversion started after t<sub>REFON</sub> is less than ±0.5 LSB. The settling time depends on the external capacitive load.

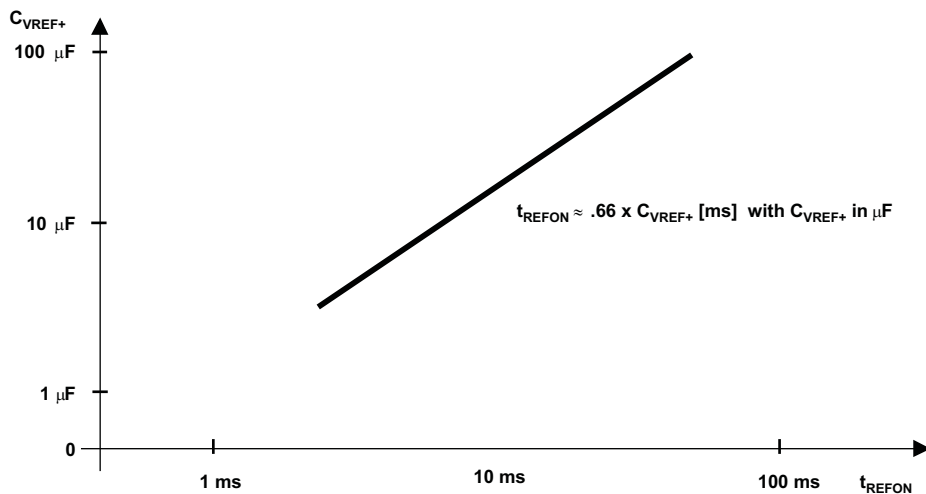


Figure 5-23. Typical Settling Time of Internal Reference t<sub>REFON</sub> vs External Capacitor on V<sub>REF+</sub>

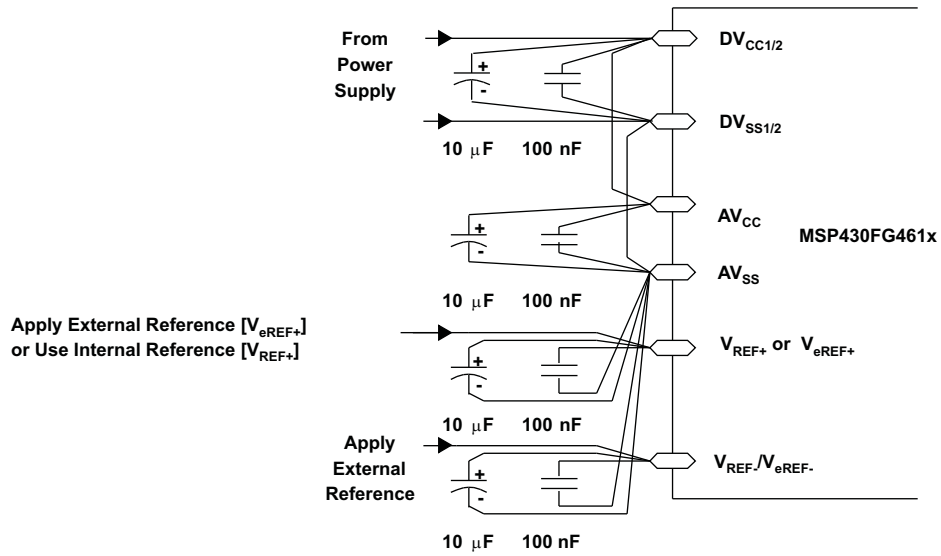


Figure 5-24. Supply Voltage and Reference Voltage Design  $V_{REF-}/V_{REF-}$  External Supply

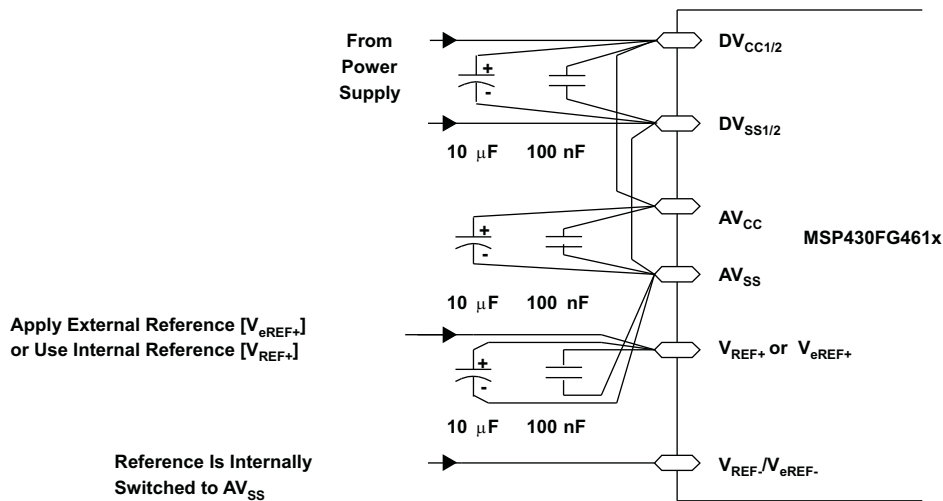


Figure 5-25. Supply Voltage and Reference Voltage Design  $V_{REF-}/V_{REF-} = AV_{SS}$ , Internally Connected

### 5.30 12-Bit ADC, Timing Parameters

over recommended ranges of supply voltage and operating free-air temperature (unless otherwise noted)

| PARAMETER             |                                 | TEST CONDITIONS   | V <sub>CC</sub> | MIN  | TYP | MAX  | UNIT |
|-----------------------|---------------------------------|---|-----------------|--|-----|------|------|
| f <sub>ADC12CLK</sub> |                                 | For specified performance of ADC12 linearity parameters   | 2.2 V, 3 V      | 0.45                                       | 5   | 6.3  | MHz  |
| f <sub>ADC12OSC</sub> | Internal ADC12 oscillator       | ADC12DIV = 0,<br>f <sub>ADC12CLK</sub> = f <sub>ADC12OSC</sub>  | 2.2 V, 3 V      | 3.7  | 5   | 6.3  | MHz  |
| t <sub>CONVERT</sub>  | Conversion time                 | C <sub>VREF+</sub> ≥ 5 μF, Internal oscillator,<br>f <sub>ADC12OSC</sub> = 3.7 MHz to 6.3 MHz<br>External f <sub>ADC12CLK</sub> from ACLK, MCLK, or SMCLK,<br>ADC12SSEL ≠ 0 | 2.2 V, 3 V      | 2.06                                       |     | 3.51 | μs   |
|                       |                                 |   |                 | 13 × ADC12DIV<br>× 1/f <sub>ADC12CLK</sub> |     |      |      |
| t <sub>ADC12ON</sub>  | Turnon settling time of the ADC | (1)   |                 |  |     | 100  | ns   |
| t <sub>Sample</sub>   | Sampling time                   | R <sub>S</sub> = 400 Ω, R <sub>I</sub> = 1000 Ω,<br>C <sub>I</sub> = 30pF, τ = [R <sub>S</sub> + R <sub>I</sub> ] × C <sub>I</sub> (2)                                      | 3 V             | 1220                                       |     |      | ns   |
|                       |                                 |   | 2.2 V           | 1400                                       |     |      |      |

(1) The condition is that the error in a conversion started after t<sub>ADC12ON</sub> is less than ±0.5 LSB. The reference and input signal are already settled.

(2) Approximately ten Tau (τ) are needed to get an error of less than ±0.5 LSB:

$$t_{\text{Sample}} = \ln(2^{12}) \times (R_S + R_I) \times C_I + 800 \text{ ns where } n = \text{ADC resolution} = 12, R_S = \text{external source resistance.}$$

### 5.31 12-Bit ADC, Linearity Parameters

over recommended ranges of supply voltage and operating free-air temperature (unless otherwise noted)

| PARAMETER      |                              | TEST CONDITIONS  | V <sub>CC</sub> | MIN | TYP  | MAX        | UNIT |
|----------------|------------------------------|--|-----------------|-----|------|------------|------|
| E <sub>I</sub> | Integral linearity error     | 1.4 V ≤ (V <sub>REF+</sub> - V <sub>REF-/V<sub>REF-</sub></sub> ) min ≤ 1.6 V<br>1.6 V < (V <sub>REF+</sub> - V <sub>REF-/V<sub>REF-</sub></sub> ) min ≤ [V <sub>AVCC</sub> ]  | 2.2 V, 3 V      |     |      | ±2<br>±1.7 | LSB  |
| E <sub>D</sub> | Differential linearity error | (V <sub>REF+</sub> - V <sub>REF-/V<sub>REF-</sub></sub> ) min ≤ (V <sub>REF+</sub> - V <sub>REF-/V<sub>REF-</sub></sub> ),<br>C <sub>VREF+</sub> = 10 μF (tantalum) and 100 nF (ceramic)   | 2.2 V, 3 V      |     |      | ±1         | LSB  |
| E <sub>O</sub> | Offset error                 | (V <sub>REF+</sub> - V <sub>REF-/V<sub>REF-</sub></sub> ) min ≤ (V <sub>REF+</sub> - V <sub>REF-/V<sub>REF-</sub></sub> ),<br>Internal impedance of source R <sub>S</sub> < 100 Ω,<br>C <sub>VREF+</sub> = 10 μF (tantalum) and 100 nF (ceramic) | 2.2 V, 3 V      |     | ±2   | ±4         | LSB  |
| E <sub>G</sub> | Gain error                   | (V <sub>REF+</sub> - V <sub>REF-/V<sub>REF-</sub></sub> ) min ≤ (V <sub>REF+</sub> - V <sub>REF-/V<sub>REF-</sub></sub> ),<br>C <sub>VREF+</sub> = 10 μF (tantalum) and 100 nF (ceramic)   | 2.2 V, 3 V      |     | ±1.1 | ±2         | LSB  |
| E <sub>T</sub> | Total unadjusted error       | (V <sub>REF+</sub> - V <sub>REF-/V<sub>REF-</sub></sub> ) min ≤ (V <sub>REF+</sub> - V <sub>REF-/V<sub>REF-</sub></sub> ),<br>C <sub>VREF+</sub> = 10 μF (tantalum) and 100 nF (ceramic)   | 2.2 V, 3 V      |     | ±2   | ±5         | LSB  |

### 5.32 12-Bit ADC, Temperature Sensor and Built-In $V_{MID}$

over recommended ranges of supply voltage and operating free-air temperature (unless otherwise noted)

| PARAMETER            |   | TEST CONDITIONS  | $V_{CC}$   | MIN  | TYP           | MAX                | UNIT           |
|----------------------|---|--|------------|------|---------------|--------------------|----------------|
| $I_{SENSOR}$         | Operating supply current into $AV_{CC}$ terminal <sup>(1)</sup> | REFON = 0, INCH = 0Ah, ADC12ON = N/A, $T_A = 25^\circ C$         | 2.2 V      |      | 40            | 120                | $\mu A$        |
|                      |   |  | 3 V        |      | 60            | 160                |                |
| $V_{SENSOR}$         | <sup>(2)</sup>  | ADC12ON = 1, INCH = 0Ah, $T_A = 0^\circ C$                       | 2.2 V, 3 V |      | 986           |                    | mV             |
| $TC_{SENSOR}$        |   | ADC12ON = 1, INCH = 0Ah  | 2.2 V, 3 V |      | 3.55 $\pm$ 3% |                    | mV/ $^\circ C$ |
| $t_{SENSOR(sample)}$ | Sample time required if channel 10 is selected <sup>(3)</sup>   | ADC12ON = 1, INCH = 0Ah, Error of conversion result $\leq$ 1 LSB | 2.2 V      | 30   |               |                    | $\mu s$        |
|                      |   |  | 3 V        | 30   |               |                    |                |
| $I_{VMID}$           | Current into divider at channel 11 <sup>(4)</sup>               | ADC12ON = 1, INCH = 0Bh  | 2.2 V      |      |               | N/A <sup>(4)</sup> | $\mu A$        |
|                      |   |  | 3 V        |      |               | N/A <sup>(4)</sup> |                |
| $V_{MID}$            | $AV_{CC}$ divider at channel 11                                 | ADC12ON = 1, INCH = 0Bh, $V_{MID} \approx 0.5 \times V_{AVCC}$   | 2.2 V      |      | 1.1           | 1.1 $\pm$ 0.04     | V              |
|                      |   |  | 3 V        |      | 1.5           | 1.50 $\pm$ 0.04    |                |
| $t_{VMID(sample)}$   | Sample time required if channel 11 is selected <sup>(5)</sup>   | ADC12ON = 1, INCH = 0Bh, Error of conversion result $\leq$ 1 LSB | 2.2 V      | 1400 |               |                    | ns             |
|                      |   |  | 3 V        | 1220 |               |                    |                |

- (1) The sensor current  $I_{SENSOR}$  is consumed if (ADC12ON = 1 and REFON = 1), or (ADC12ON = 1 AND INCH = 0Ah and sample signal is high). When REFON = 1,  $I_{SENSOR}$  is already included in  $I_{REF+}$ .
- (2) The temperature sensor offset can be as much as  $\pm 20^\circ C$ . TI recommends a single-point calibration to minimize the offset error of the built-in temperature sensor.
- (3) The typical equivalent impedance of the sensor is 51 k $\Omega$ . The sample time required includes the sensor-on time  $t_{SENSOR(on)}$ .
- (4) No additional current is needed. The  $V_{MID}$  is used during sampling.
- (5) The on-time  $t_{VMID(on)}$  is included in the sampling time  $t_{VMID(sample)}$ ; no additional on time is needed.

### 5.33 12-Bit DAC, Supply Specifications

over recommended ranges of supply voltage and operating free-air temperature (unless otherwise noted)

| PARAMETER |   | TEST CONDITIONS   | $V_{CC}$   | MIN  | TYP | MAX  | UNIT    |
|-----------|---|---|------------|------|-----|------|---------|
| $AV_{CC}$ | Analog supply voltage                                 | $AV_{CC} = DV_{CC}$ , $AV_{SS} = DV_{SS} = 0 V$                                 |            | 2.20 |     | 3.60 | V       |
| $I_{DD}$  | Supply current, single DAC channel <sup>(1) (2)</sup> | DAC12AMPx = 2, DAC12IR = 0, DAC12_xDAT = 0800h                                  | 2.2 V, 3 V |      | 50  | 110  | $\mu A$ |
|           |   | DAC12AMPx = 2, DAC12IR = 1, DAC12_xDAT = 0800h, $V_{REF+} = V_{REF+} = AV_{CC}$ |            |      | 50  | 110  |         |
|           |   | DAC12AMPx = 5, DAC12IR = 1, DAC12_xDAT = 0800h, $V_{REF+} = V_{REF+} = AV_{CC}$ |            |      | 200 | 440  |         |
|           |   | DAC12AMPx = 7, DAC12IR = 1, DAC12_xDAT = 0800h, $V_{REF+} = V_{REF+} = AV_{CC}$ |            |      | 700 | 1500 |         |
| PSRR      | Power-supply rejection ratio <sup>(3)(4)</sup>        | DAC12_xDAT = 800h, $V_{REF} = 1.5 V$ , $\Delta AV_{CC} = 100 mV$                | 2.2 V      |      | 70  |      | dB      |
|           |   | DAC12_xDAT = 800h, $V_{REF} = 1.5 V$ or 2.5 V, $\Delta AV_{CC} = 100 mV$        | 3 V        |      |     |      |         |

- (1) No load at the output pin, DAC12\_0 or DAC12\_1, assuming that the control bits for the shared pins are set properly.
- (2) Current into reference terminals not included. If DAC12IR = 1 current flows through the input divider; see Reference Input specifications.
- (3)  $PSRR = 20 \times \log\{\Delta AV_{CC}/\Delta V_{DAC12\_xOUT}\}$ .
- (4)  $V_{REF}$  is applied externally. The internal reference is not used.

### 5.34 12-Bit DAC, Linearity Specifications

over recommended ranges of supply voltage and operating free-air temperature (unless otherwise noted) (see [Figure 5-26](#))

| PARAMETER               |   | TEST CONDITIONS   | V <sub>CC</sub> | MIN  | TYP | MAX  | UNIT          |
|-------------------------|---|---|-----------------|------|-----|------|---------------|
| Resolution              |   | 12-bit monotonic  |                 | 12   |     |      | bits          |
| INL                     | Integral nonlinearity <sup>(1)</sup>                  | V <sub>ref</sub> = 1.5 V,<br>DAC12AMP <sub>x</sub> = 7, DAC12IR = 1 | 2.2 V           | ±2.0 |     | ±8.0 | LSB           |
|                         |   | V <sub>ref</sub> = 2.5 V,<br>DAC12AMP <sub>x</sub> = 7, DAC12IR = 1 | 3 V             |      |     |      |               |
| DNL                     | Differential nonlinearity <sup>(1)</sup>              | V <sub>ref</sub> = 1.5 V,<br>DAC12AMP <sub>x</sub> = 7, DAC12IR = 1 | 2.2 V           | ±0.4 |     | ±1.0 | LSB           |
|                         |   | V <sub>ref</sub> = 2.5 V,<br>DAC12AMP <sub>x</sub> = 7, DAC12IR = 1 | 3 V             |      |     |      |               |
| E <sub>O</sub>          | Offset voltage without calibration <sup>(1) (2)</sup> | V <sub>ref</sub> = 1.5 V,<br>DAC12AMP <sub>x</sub> = 7, DAC12IR = 1 | 2.2 V           |      |     | ±21  | mV            |
|                         |   | V <sub>ref</sub> = 2.5 V,<br>DAC12AMP <sub>x</sub> = 7, DAC12IR = 1 | 3 V             |      |     |      |               |
|                         | Offset voltage with calibration <sup>(1) (2)</sup>    | V <sub>ref</sub> = 1.5 V,<br>DAC12AMP <sub>x</sub> = 7, DAC12IR = 1 | 2.2 V           |      |     | ±2.5 |               |
|                         |   | V <sub>ref</sub> = 2.5 V,<br>DAC12AMP <sub>x</sub> = 7, DAC12IR = 1 | 3 V             |      |     |      |               |
| d <sub>E(O)/dT</sub>    | Offset error temperature coefficient <sup>(1)</sup>   |   | 2.2 V, 3 V      |      |     | ±30  | µV/°C         |
| E <sub>G</sub>          | Gain error <sup>(1)</sup>                             | V <sub>REF</sub> = 1.5 V  | 2.2 V           |      |     | ±3.5 | %FSR          |
|                         |   | V <sub>REF</sub> = 2.5 V  | 3 V             |      |     |      |               |
| d <sub>E(G)/dT</sub>    | Gain temperature coefficient <sup>(1)</sup>           |   | 2.2 V, 3 V      |      | 10  |      | ppm of FSR/°C |
| t <sub>Offset_Cal</sub> | Time for offset calibration <sup>(3)</sup>            | DAC12AMP <sub>x</sub> = 2   | 2.2 V, 3 V      |      |     | 100  | ms            |
|                         |   | DAC12AMP <sub>x</sub> = 3, 5  |                 | 32   |     |      |               |
|                         |   | DAC12AMP <sub>x</sub> = 4, 6, 7                                     |                 | 6    |     |      |               |

- (1) Parameters calculated from the best-fit curve from 0x0A to 0xFFF. The best-fit curve method is used to deliver coefficients "a" and "b" of the first order equation:  $y = a + b \times x$ .  $V_{DAC12\_xOUT} = E_O + (1 + E_G) \times (V_{REF}/4095) \times DAC12\_xDAT$ , DAC12IR = 1.
- (2) The offset calibration works on the output operational amplifier. Offset calibration is triggered by setting bit DAC12CALON.
- (3) The offset calibration can be done if DAC12AMP<sub>x</sub> = {2, 3, 4, 5, 6, 7}. The output operational amplifier is switched off with DAC12AMP<sub>x</sub> = {0, 1}. TI recommends that the DAC12 module be configured before initiating calibration. Port activity during calibration may effect accuracy and is not recommended.

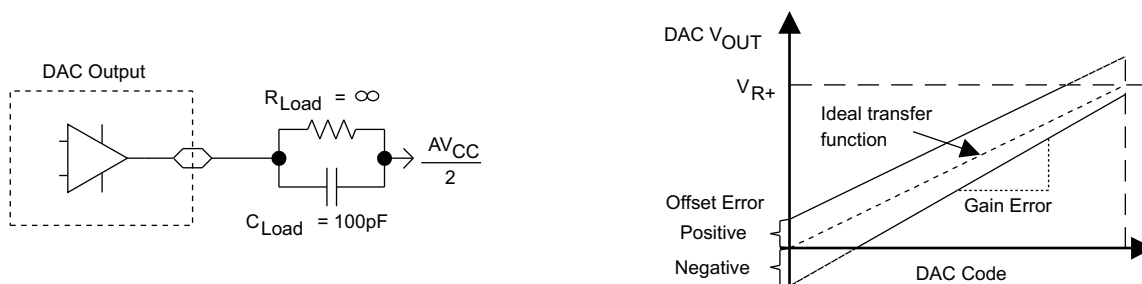


Figure 5-26. Linearity Test Load Conditions and Gain and Offset Definition

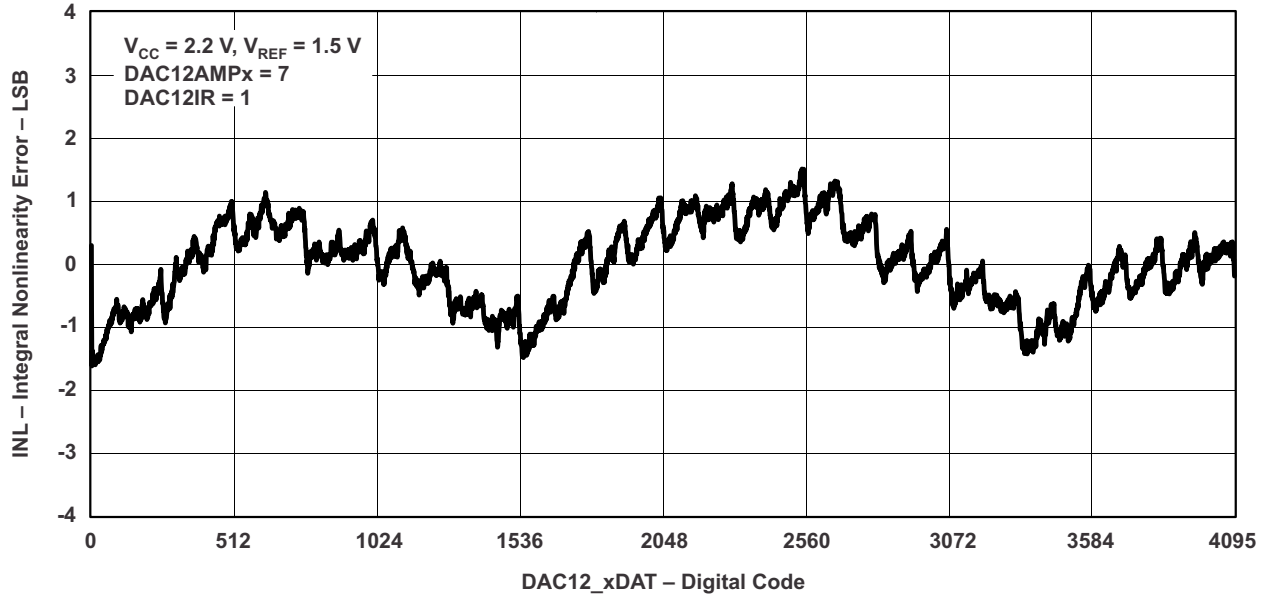


Figure 5-27. Typical INL Error vs Digital Input Data

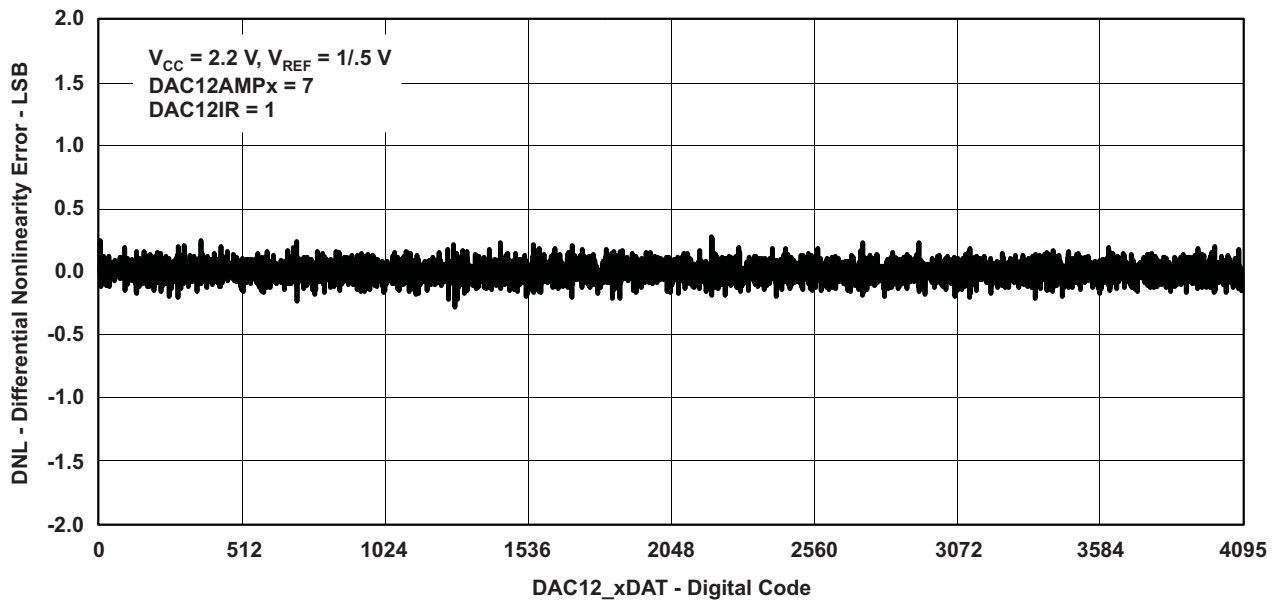


Figure 5-28. Typical DNL Error vs Digital Input Data



### 5.35 12-Bit DAC, Output Specifications

over recommended ranges of supply voltage and operating free-air temperature (unless otherwise noted)

| PARAMETER               | TEST CONDITIONS   | V <sub>CC</sub> | MIN  | TYP | MAX              | UNIT |   |
|-------------------------|---|-----------------|--|-----|------------------|------|---|
| V <sub>O</sub>          | No load, V <sub>REF+</sub> = AV <sub>CC</sub> , DAC12_xDAT = 0h, DAC12IR = 1, DAC12AMPx = 7                     | 2.2 V, 3 V      | 0  |     | 0.005            | V    |   |
|                         | No load, V <sub>REF+</sub> = AV <sub>CC</sub> , DAC12_xDAT = 0FFFh, DAC12IR = 1, DAC12AMPx = 7                  |                 | AV <sub>CC</sub> – 0.05  |     | AV <sub>CC</sub> |      |   |
|                         | R <sub>Load</sub> = 3 kΩ, V <sub>REF+</sub> = AV <sub>CC</sub> , DAC12_xDAT = 0h, DAC12IR = 1, DAC12AMPx = 7    |                 | 0  |     | 0.1              |      |   |
|                         | R <sub>Load</sub> = 3 kΩ, V <sub>REF+</sub> = AV <sub>CC</sub> , DAC12_xDAT = 0FFFh, DAC12IR = 1, DAC12AMPx = 7 |                 | AV <sub>CC</sub> – 0.13  |     | AV <sub>CC</sub> |      |   |
| C <sub>L(DAC12)</sub>   | Max DAC12 load capacitance  | 2.2 V, 3 V      |  |     | 100              | pF   |   |
| I <sub>L(DAC12)</sub>   | Max DAC12 load current  | 2.2 V           | –0.5   |     | +0.5             | mA   |   |
|                         |   | 3 V             | –1.0   |     | +1.0             |      |   |
| R <sub>O/P(DAC12)</sub> | Output resistance (see Figure 5-29) <sup>(1)</sup>  | 2.2 V, 3 V      | R <sub>Load</sub> = 3 kΩ, V <sub>O/P(DAC12)</sub> < 0.3 V, DAC12AMPx = 2, DAC12_xDAT = 0h        |     | 150              | 250  | Ω |
|                         |   |                 | R <sub>Load</sub> = 3 kΩ, V <sub>O/P(DAC12)</sub> > AV <sub>CC</sub> – 0.3 V, DAC12_xDAT = 0FFFh |     | 150              | 250  |   |
|                         |   |                 | R <sub>Load</sub> = 3 kΩ, 0.3 V ≤ V <sub>O/P(DAC12)</sub> ≤ AV <sub>CC</sub> – 0.3 V             |     | 1                | 4    |   |

(1) Data is valid after the offset calibration of the output amplifier.

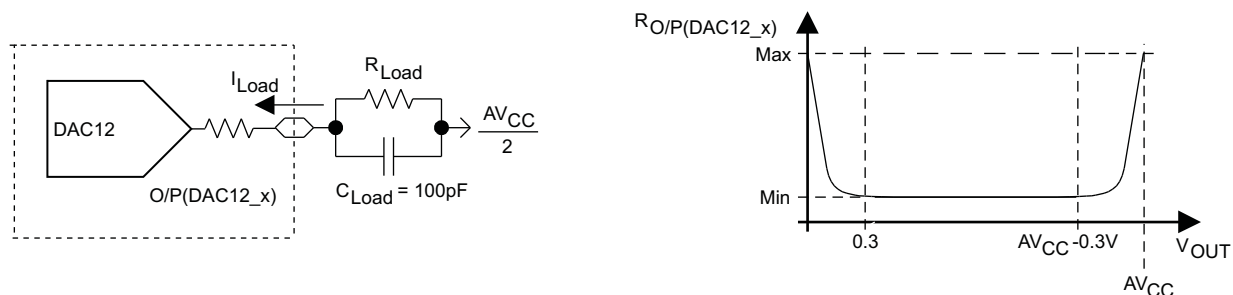


Figure 5-29. DAC12\_x Output Resistance Tests

### 5.36 12-Bit DAC, Reference Input Specifications

over recommended ranges of supply voltage and operating free-air temperature (unless otherwise noted)

| PARAMETER   | TEST CONDITIONS   | V <sub>CC</sub> | MIN              | TYP                    | MAX                    | UNIT |
|---|---|-----------------|------------------|------------------------|------------------------|------|
| V <sub>REF+</sub>                                   | DAC12IR = 0 <sup>(1) (2)</sup>  | 2.2 V, 3 V      |                  | AV <sub>CC</sub> /3    | AV <sub>CC</sub> + 0.2 | V    |
|   | DAC12IR = 1 <sup>(3) (4)</sup>  |                 | AV <sub>CC</sub> | AV <sub>CC</sub> + 0.2 |                        |      |
| R <sub>i(VREF+)</sub> ,<br>(R <sub>i(VREF+)</sub> ) | DAC12_0 IR = DAC12_1 IR = 0   | 2.2 V, 3 V      | 20               |                        |                        | MΩ   |
|   | DAC12_0 IR = 1, DAC12_1 IR = 0  |                 | 40               | 48                     | 56                     | kΩ   |
|   | DAC12_0 IR = 0, DAC12_1 IR = 1  |                 | 40               | 48                     | 56                     |      |
|   | DAC12_0 IR = DAC12_1 IR = 1, DAC12_0 SREFx = DAC12_1 SREFx <sup>(5)</sup> |                 | 20               | 24                     | 28                     |      |

(1) For a full-scale output, the reference input voltage can be as high as 1/3 of the maximum output voltage swing (AV<sub>CC</sub>).

(2) The maximum voltage applied at reference input voltage terminal V<sub>REF+</sub> = [AV<sub>CC</sub> – V<sub>E(O)</sub>] / [3 × (1 + E<sub>G</sub>)].

(3) For a full-scale output, the reference input voltage can be as high as the maximum output voltage swing (AV<sub>CC</sub>).

(4) The maximum voltage applied at reference input voltage terminal V<sub>REF+</sub> = [AV<sub>CC</sub> – V<sub>E(O)</sub>] / (1 + E<sub>G</sub>).

(5) When DAC12IR = 1 and DAC12SREFx = 0 or 1 for both channels, the reference input resistive dividers for each DAC are in parallel reducing the reference input resistance.

### 5.37 12-Bit DAC, Dynamic Specifications

$V_{ref} = V_{CC}$ , DAC12IR = 1, over recommended ranges of supply voltage and operating free-air temperature (unless otherwise noted) (see Figure 5-30 and Figure 5-31)

| PARAMETER    |                             | TEST CONDITIONS   |                           | $V_{CC}$   | MIN  | TYP     | MAX        | UNIT |
|--------------|-----------------------------|---|---------------------------|------------|------|---------|------------|------|
| $t_{ON}$     | DAC12 on time               | DAC12_xDAT = 800h,<br>Error $_{V(O)}$ < $\pm 0.5$ LSB <sup>(1)</sup><br>(see Figure 5-30) | DAC12AMPx = 0 → {2, 3, 4} | 2.2 V, 3 V | 60   | 120     | $\mu$ s    |      |
|              |                             |   | DAC12AMPx = 0 → {5, 6}    |            | 15   | 30      |            |      |
|              |                             |   | DAC12AMPx = 0 → 7         |            | 6    | 12      |            |      |
| $t_{S(FS)}$  | Settling time, full scale   | DAC12_xDAT =<br>80h → F7Fh → 80h  | DAC12AMPx = 2             | 2.2 V, 3 V | 100  | 200     | $\mu$ s    |      |
|              |                             |   | DAC12AMPx = 3, 5          |            | 40   | 80      |            |      |
|              |                             |   | DAC12AMPx = 4, 6, 7       |            | 15   | 30      |            |      |
| $t_{S(C-C)}$ | Settling time, code to code | DAC12_xDAT =<br>3F8h → 408h → 3F8h<br>BF8h → C08h → BF8h                                  | DAC12AMPx = 2             | 2.2 V, 3 V | 5    | $\mu$ s |            |      |
|              |                             |   | DAC12AMPx = 3, 5          |            | 2    |         |            |      |
|              |                             |   | DAC12AMPx = 4, 6, 7       |            | 1    |         |            |      |
| SR           | Slew rate                   | DAC12_xDAT =<br>80h → F7Fh → 80h <sup>(2)</sup>   | DAC12AMPx = 2             | 2.2 V, 3 V | 0.05 | 0.12    | V/ $\mu$ s |      |
|              |                             |   | DAC12AMPx = 3, 5          |            | 0.35 | 0.7     |            |      |
|              |                             |   | DAC12AMPx = 4, 6, 7       |            | 1.5  | 2.7     |            |      |
|              | Glitch energy, full-scale   | DAC12_xDAT =<br>80h → F7Fh → 80h  | DAC12AMPx = 2             | 2.2 V, 3 V | 600  | nV-s    |            |      |
|              |                             |   | DAC12AMPx = 3, 5          |            | 150  |         |            |      |
|              |                             |   | DAC12AMPx = 4, 6, 7       |            | 30   |         |            |      |

- (1)  $R_{Load}$  and  $C_{Load}$  connected to  $AV_{SS}$  (not  $AV_{CC}/2$ ) in Figure 5-30.  
(2) Slew rate applies to output voltage steps  $\geq 200$  mV.

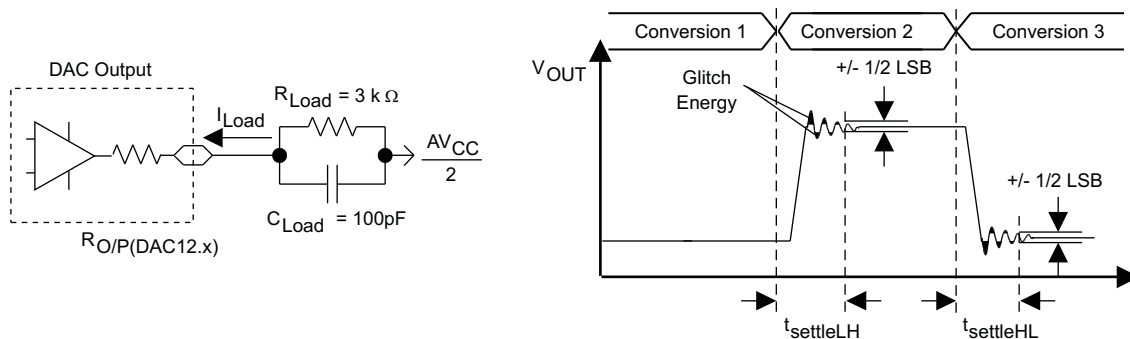


Figure 5-30. Settling Time and Glitch Energy Testing

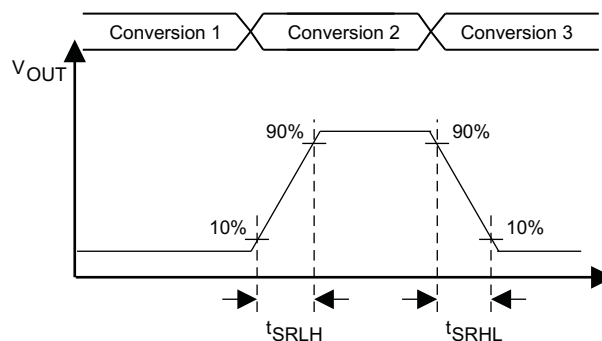


Figure 5-31. Slew Rate Testing

### 5.38 12-Bit DAC, Dynamic Specifications Continued

T<sub>A</sub> = 25°C (unless otherwise noted)

| PARAMETER  | TEST CONDITIONS   | V <sub>CC</sub> | MIN | TYP | MAX | UNIT |
|--|---|-----------------|-----|-----|-----|------|
| BW <sub>-3dB</sub><br>3-dB bandwidth,<br>V <sub>DC</sub> = 1.5 V, V <sub>AC</sub> = 0.1 VPP<br>(see Figure 5-32) | DAC12AMP <sub>x</sub> = {2, 3, 4}, DAC12SREF <sub>x</sub> = 2,<br>DAC12IR = 1, DAC12_xDAT = 800h  | 2.2 V, 3 V      | 40  |     |     | kHz  |
|  | DAC12AMP <sub>x</sub> = {5, 6}, DAC12SREF <sub>x</sub> = 2,<br>DAC12IR = 1, DAC12_xDAT = 800h   |                 | 180 |     |     |      |
|  | DAC12AMP <sub>x</sub> = 7, DAC12SREF <sub>x</sub> = 2,<br>DAC12IR = 1, DAC12_xDAT = 800h  |                 | 550 |     |     |      |
| Channel-to-channel<br>crosstalk<br>(see Figure 5-33) <sup>(1)</sup>  | DAC12_0DAT = 800h, No Load,<br>DAC12_1DAT = 80h ↔ F7Fh, R <sub>Load</sub> = 3 kΩ<br>f <sub>DAC12_1OUT</sub> = 10 kHz at 50/50 duty cycle  | 2.2 V, 3 V      |     | -80 |     | dB   |
|  | DAC12_0DAT = 80h ↔ F7Fh, R <sub>Load</sub> = 3 kΩ,<br>DAC12_1DAT = 800h, No Load,<br>f <sub>DAC12_0OUT</sub> = 10 kHz at 50/50 duty cycle |                 |     | -80 |     |      |

(1) R<sub>LOAD</sub> = 3 kΩ, C<sub>LOAD</sub> = 100 pF

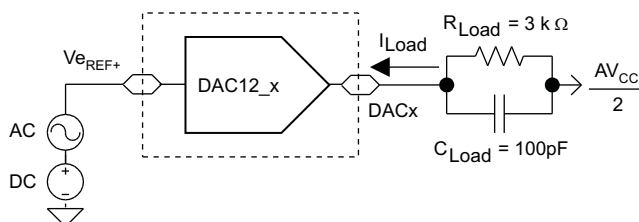


Figure 5-32. Test Conditions for 3-dB Bandwidth Specification

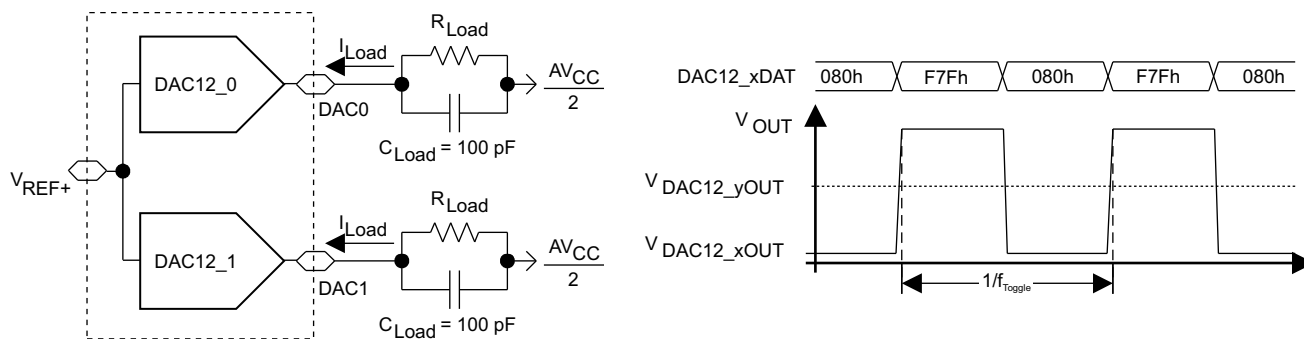


Figure 5-33. Crosstalk Test Conditions

### 5.39 Operational Amplifier OA, Supply Specifications

over recommended ranges of supply voltage and operating free-air temperature (unless otherwise noted)

| PARAMETER       |                               | TEST CONDITIONS                                 | V <sub>CC</sub> | MIN | TYP | MAX | UNIT |
|-----------------|-------------------------------|---|-----------------|-----|-----|-----|------|
| V <sub>CC</sub> | Supply voltage                |   |                 | 2.2 |     | 3.6 | V    |
| I <sub>CC</sub> | Supply current <sup>(1)</sup> | Fast Mode, OARRIP = 1 (rail-to-rail mode off)   | 2.2 V, 3 V      |     | 180 | 290 | μA   |
|                 |                               | Medium Mode, OARRIP = 1 (rail-to-rail mode off) |                 |     | 110 | 190 |      |
|                 |                               | Slow Mode, OARRIP = 1 (rail-to-rail mode off)   |                 |     | 50  | 80  |      |
|                 |                               | Fast Mode, OARRIP = 0 (rail-to-rail mode on)    |                 |     | 300 | 490 |      |
|                 |                               | Medium Mode, OARRIP = 0 (rail-to-rail mode on)  |                 |     | 190 | 350 |      |
|                 |                               | Slow Mode, OARRIP = 0 (rail-to-rail mode on)    |                 |     | 90  | 190 |      |
| PSRR            | Power supply rejection ratio  | Noninverting                                    | 2.2 V, 3 V      |     | 70  |     | dB   |

(1) P6SEL.x = 1 for each corresponding pin when used in OA input or OA output mode.

### 5.40 Operational Amplifier OA, Input/Output Specifications

over recommended ranges of supply voltage and operating free-air temperature (unless otherwise noted)

| PARAMETER              |  | TEST CONDITIONS  | V <sub>CC</sub> | MIN                   | TYP                         | MAX                          | UNIT   |             |    |
|------------------------|--|--|-----------------|-----------------------|-----------------------------|------------------------------|--------|-------------|----|
| V <sub>I/P</sub>       | Voltage supply, I/P                                | OARRIP = 1 (rail-to-rail mode off)   |                 | -0.1                  |                             | V <sub>CC</sub> - 1.2        | V      |             |    |
|                        |  | OARRIP = 0 (rail-to-rail mode on)  |                 | -0.1                  |                             | V <sub>CC</sub> + 0.1        |        |             |    |
| I <sub>lkg</sub>       | Input leakage current, I/P <sup>(1) (2)</sup>      | T <sub>A</sub> = -40 to +55°C  |                 | -5                    | ±0.5                        | 5                            | nA     |             |    |
|                        |  | T <sub>A</sub> = +55 to +85°C  |                 | -20                   | ±5                          | 20                           |        |             |    |
| V <sub>n</sub>         | Voltage noise density, I/P                         | Fast Mode  |                 |                       | f <sub>V(I/P)</sub> = 1 kHz | 50                           | nV/√Hz |             |    |
|                        |  |  |                 |                       |                             | Medium Mode                  |        | 80          |    |
|                        |  |  |                 |                       |                             | Slow Mode                    |        | 140         |    |
|                        |  | Fast Mode  |                 |                       |                             | f <sub>V(I/P)</sub> = 10 kHz |        | 30          |    |
|                        |  |  |                 |                       |                             |                              |        | Medium Mode | 50 |
|                        |  |  |                 |                       |                             |                              |        | Slow Mode   | 65 |
| V <sub>IO</sub>        | Offset voltage, I/P                                |  | 2.2 V, 3 V      |                       |                             |                              | ±10    | mV          |    |
|                        | Offset temperature drift, I/P                      | <sup>(3)</sup>   | 2.2 V, 3 V      |                       | ±10                         |                              |        | μV/°C       |    |
|                        | Offset voltage drift with supply, I/P              | 0.3 V ≤ V <sub>IN</sub> ≤ V <sub>CC</sub> - 0.3 V<br>ΔV <sub>CC</sub> ≤ ±10%, T <sub>A</sub> = 25°C  | 2.2 V, 3 V      |                       |                             |                              | ±1.5   | mV/V        |    |
| V <sub>OH</sub>        | High-level output voltage, O/P                     | Fast Mode, I <sub>SOURCE</sub> ≤ -500 μA   | 2.2 V           | V <sub>CC</sub> - 0.2 |                             | V <sub>CC</sub>              | V      |             |    |
|                        |  | Slow Mode, I <sub>SOURCE</sub> ≤ -150 μA   | 3 V             | V <sub>CC</sub> - 0.1 |                             | V <sub>CC</sub>              |        |             |    |
| V <sub>OL</sub>        | Low-level output voltage, O/P                      | Fast Mode, I <sub>SOURCE</sub> ≤ +500 μA   | 2.2 V           | V <sub>SS</sub>       |                             | 0.2                          | V      |             |    |
|                        |  | Slow Mode, I <sub>SOURCE</sub> ≤ +150 μA   | 3 V             | V <sub>SS</sub>       |                             | 0.1                          |        |             |    |
| R <sub>O/P (OAx)</sub> | Output resistance (see Figure 5-34) <sup>(4)</sup> | R <sub>Load</sub> = 3 kΩ, C <sub>Load</sub> = 50 pF, OARRIP = 0 (rail-to-rail mode on), V <sub>O/P(OAx)</sub> < 0.2 V                            | 2.2 V, 3 V      |                       | 150                         | 250                          | Ω      |             |    |
|                        |  | R <sub>Load</sub> = 3 kΩ, C <sub>Load</sub> = 50 pF, OARRIP = 0 (rail-to-rail mode on), V <sub>O/P(OAx)</sub> > AV <sub>CC</sub> - 0.2 V         |                 |                       | 150                         | 250                          |        |             |    |
|                        |  | R <sub>Load</sub> = 3 kΩ, C <sub>Load</sub> = 50 pF, OARRIP = 0 (rail-to-rail mode on), 0.2 V ≤ V <sub>O/P(OAx)</sub> ≤ AV <sub>CC</sub> - 0.2 V |                 |                       | 0.1                         | 4                            |        |             |    |
| CMRR                   | Common-mode rejection ratio                        | Noninverting   | 2.2 V, 3 V      |                       | 70                          |                              | dB     |             |    |

(1) ESD damage can degrade input current leakage.

(2) The input bias current is overridden by the input leakage current.

(3) Calculated using the box method.

(4) Specification valid for voltage-follower OAx configuration.

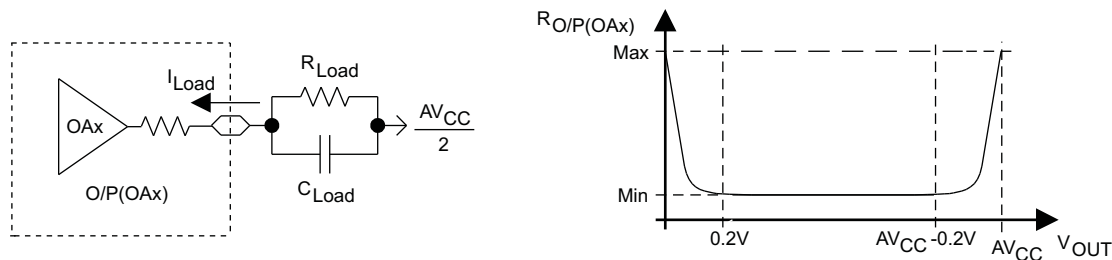


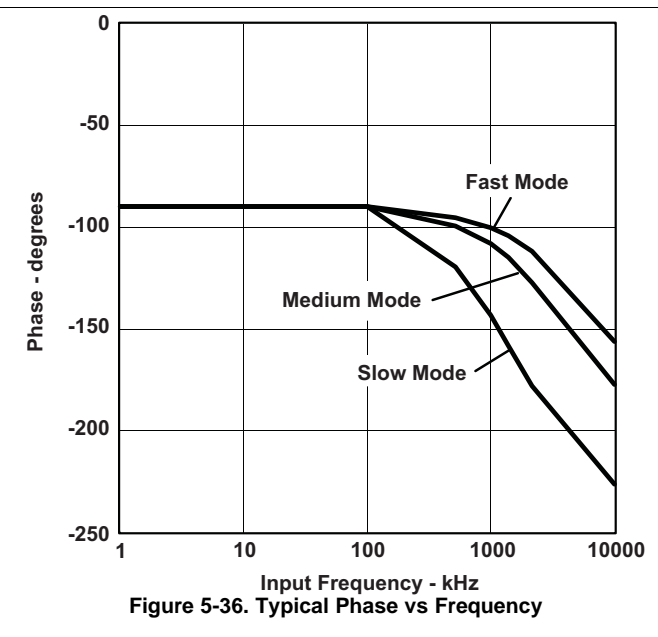
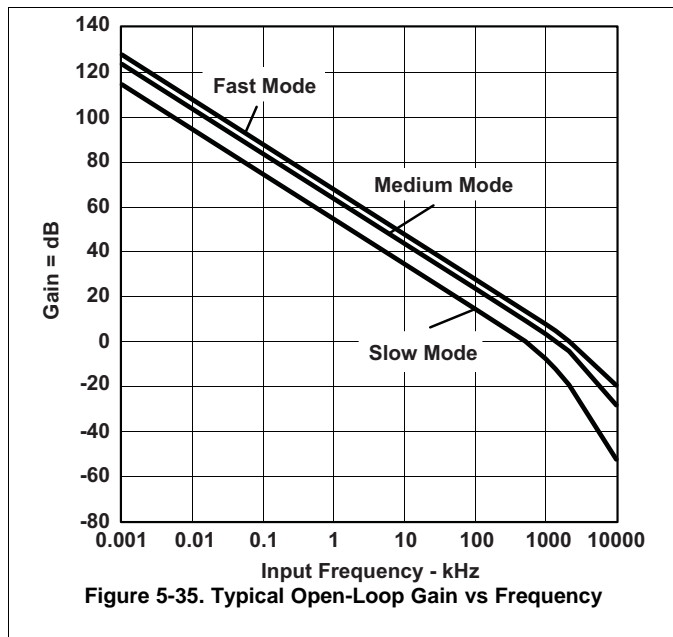
Figure 5-34. OAx Output Resistance Tests

### 5.41 Operational Amplifier OA, Dynamic Specifications

over recommended ranges of supply voltage and operating free-air temperature (unless otherwise noted)

| PARAMETER              |  | TEST CONDITIONS  | V <sub>CC</sub> | MIN | TYP | MAX | UNIT |
|------------------------|--|--|-----------------|-----|-----|-----|------|
| SR                     | Slew rate  | Fast Mode  | 2.2 V, 3 V      |     | 1.2 |     | V/μs |
|                        |  | Medium Mode  |                 |     | 0.8 |     |      |
|                        |  | Slow Mode  |                 |     | 0.3 |     |      |
| Open-loop voltage gain |  |  |                 |     | 100 |     | dB   |
| φ <sub>m</sub>         | Phase margin   | C <sub>L</sub> = 50 pF   |                 |     | 60  |     | deg  |
|                        | Gain margin  | C <sub>L</sub> = 50 pF   |                 |     | 20  |     | dB   |
| GBW                    | Gain-bandwidth product (see Figure 5-35 and Figure 5-36) | Noninverting, Fast Mode, R <sub>L</sub> = 47 kΩ, C <sub>L</sub> = 50 pF    | 2.2 V, 3 V      |     | 2.2 |     | MHz  |
|                        |  | Noninverting, Medium Mode, R <sub>L</sub> = 300 kΩ, C <sub>L</sub> = 50 pF |                 |     | 1.4 |     |      |
|                        |  | Noninverting, Slow Mode, R <sub>L</sub> = 300 kΩ, C <sub>L</sub> = 50 pF   |                 |     | 0.5 |     |      |
| t <sub>en(on)</sub>    | Enable time on   | t <sub>on</sub> , Noninverting, Gain = 1                                   | 2.2 V, 3 V      |     | 10  | 20  | μs   |
| t <sub>en(off)</sub>   | Enable time off  |  | 2.2 V, 3 V      |     |     | 1   | μs   |

### 5.42 Operational Amplifier OA, Typical Characteristics



### 5.43 Operational Amplifier OA Feedback Network, Noninverting Amplifier Mode (OAF<sub>Cx</sub> = 4)

over recommended operating free-air temperature (unless otherwise noted)

| PARAMETER           |  | TEST CONDITIONS        | V <sub>CC</sub> | MIN   | TYP   | MAX   | UNIT |
|---------------------|--|------------------------|-----------------|-------|-------|-------|------|
| G                   | Gain                                       | OAFBR <sub>x</sub> = 0 | 2.2 V, 3 V      | 0.996 | 1.00  | 1.002 |      |
|                     |  | OAFBR <sub>x</sub> = 1 |                 | 1.329 | 1.334 | 1.340 |      |
|                     |  | OAFBR <sub>x</sub> = 2 |                 | 1.987 | 2.001 | 2.016 |      |
|                     |  | OAFBR <sub>x</sub> = 3 |                 | 2.64  | 2.667 | 2.70  |      |
|                     |  | OAFBR <sub>x</sub> = 4 |                 | 3.93  | 4.00  | 4.06  |      |
|                     |  | OAFBR <sub>x</sub> = 5 |                 | 5.22  | 5.33  | 5.43  |      |
|                     |  | OAFBR <sub>x</sub> = 6 |                 | 7.76  | 7.97  | 8.18  |      |
|                     |  | OAFBR <sub>x</sub> = 7 |                 | 15.0  | 15.8  | 16.6  |      |
| THD                 | Total harmonic distortion and nonlinearity | All gains              | 2.2 V           | -60   |       | dB    |      |
|                     |  |                        | 3 V             | -70   |       |       |      |
| t <sub>Settle</sub> | Settling time <sup>(1)</sup>               | All power modes        | 2.2 V, 3 V      | 7     | 12    | μs    |      |

(1) The settling time specifies the time until an ADC result is stable. This includes the minimum required sampling time of the ADC. The settling time of the amplifier itself might be faster.

### 5.44 Operational Amplifier OA Feedback Network, Inverting Amplifier Mode (OAF<sub>Cx</sub> = 6)<sup>(1)</sup>

over recommended operating free-air temperature (unless otherwise noted)

| PARAMETER           |  | TEST CONDITIONS        | V <sub>CC</sub> | MIN     | TYP    | MAX     | UNIT |
|---------------------|--|------------------------|-----------------|---------|--------|---------|------|
| G                   | Gain                                       | OAFBR <sub>x</sub> = 1 | 2.2 V, 3 V      | -0.371  | -0.335 | -0.298  |      |
|                     |  | OAFBR <sub>x</sub> = 2 |                 | -1.031  | -1.002 | -0.972  |      |
|                     |  | OAFBR <sub>x</sub> = 3 |                 | -1.727  | -1.668 | -1.609  |      |
|                     |  | OAFBR <sub>x</sub> = 4 |                 | -3.142  | -3.00  | -2.856  |      |
|                     |  | OAFBR <sub>x</sub> = 5 |                 | -4.581  | -4.33  | -4.073  |      |
|                     |  | OAFBR <sub>x</sub> = 6 |                 | -7.529  | -6.97  | -6.379  |      |
|                     |  | OAFBR <sub>x</sub> = 7 |                 | -17.040 | -14.8  | -12.279 |      |
| THD                 | Total harmonic distortion and nonlinearity | All gains              | 2.2 V           | -60     |        | dB      |      |
|                     |  |                        | 3 V             | -70     |        |         |      |
| t <sub>Settle</sub> | Settling time <sup>(2)</sup>               | All power modes        | 2.2 V, 3 V      | 7       | 12     | μs      |      |

(1) This includes the two OA configuration "inverting amplifier with input buffer". Both OAs need to be set to the same power mode, OAPM<sub>x</sub>.

(2) The settling time specifies the time until an ADC result is stable. This includes the minimum required sampling time of the ADC. The settling time of the amplifier itself might be faster.

## 5.45 Flash Memory (FG461x Devices Only)

over recommended ranges of supply voltage and operating free-air temperature (unless otherwise noted)

| PARAMETER                      |   | TEST CONDITIONS       | V <sub>CC</sub> | MIN             | TYP             | MAX | UNIT             |
|--------------------------------|---|-----------------------|-----------------|-----------------|-----------------|-----|------------------|
| V <sub>CC(PGM/ERASE)</sub>     | Program and erase supply voltage                    |                       |                 | 2.7             |                 | 3.6 | V                |
| f <sub>FTG</sub>               | Flash timing generator frequency                    |                       |                 | 257             |                 | 476 | kHz              |
| I <sub>PGM</sub>               | Supply current from DVCC during program             |                       | 2.7 V, 3.6 V    |                 | 3               | 5   | mA               |
| I <sub>ERASE</sub>             | Supply current from DVCC during erase               | (1)                   | 2.7 V, 3.6 V    |                 | 3               | 7   | mA               |
| I <sub>GMERASE</sub>           | Supply current from DVCC during global mass erase   | (2)                   | 2.7 V, 3.6 V    |                 | 6               | 14  | mA               |
| t <sub>CPT</sub>               | Cumulative program time                             | (3)                   | 2.7 V, 3.6 V    |                 |                 | 10  | ms               |
| t <sub>CMErase</sub>           | Cumulative mass erase time                          |                       | 2.7 V, 3.6 V    | 20              |                 |     | ms               |
|                                | Program and erase endurance                         |                       |                 | 10 <sup>4</sup> | 10 <sup>5</sup> |     | cycles           |
| t <sub>Retention</sub>         | Data retention duration                             | T <sub>J</sub> = 25°C |                 | 100             |                 |     | years            |
| t <sub>Word</sub>              | Word or byte program time                           | (4)                   |                 |                 | 30              |     | t <sub>FTG</sub> |
| t <sub>Block, 0</sub>          | Block program time for 1st byte or word             |                       |                 |                 | 25              |     |                  |
| t <sub>Block, 1-63</sub>       | Block program time for each additional byte or word |                       |                 |                 | 18              |     |                  |
| t <sub>Block, End</sub>        | Block program end-sequence wait time                |                       |                 |                 | 6               |     |                  |
| t <sub>Mass Erase</sub>        | Mass erase time                                     |                       |                 |                 | 10593           |     |                  |
| t <sub>Global Mass Erase</sub> | Global mass erase time                              |                       |                 |                 | 10593           |     |                  |
| t <sub>Seg Erase</sub>         | Segment erase time                                  |                       |                 |                 | 4819            |     |                  |

(1) Lower 64KB or upper 64KB flash memory erased.

(2) All flash memory erased.

(3) The cumulative program time must not be exceeded during a block-write operation. This parameter is only relevant if the block write feature is used.

(4) These values are hardwired into the flash controller state machine (t<sub>FTG</sub> = 1/f<sub>FTG</sub>).

## 5.46 JTAG Interface

over recommended ranges of supply voltage and operating free-air temperature (unless otherwise noted)

| PARAMETER             |  | TEST CONDITIONS | V <sub>CC</sub> | MIN | TYP | MAX | UNIT |
|-----------------------|--|-----------------|-----------------|-----|-----|-----|------|
| f <sub>TCK</sub>      | TCK input frequency                              | (1)             | 2.2 V           | 0   |     | 5   | MHz  |
|                       |  |                 | 3 V             | 0   |     | 10  |      |
| R <sub>Internal</sub> | Internal pullup resistance on TMS, TCK, TDI/TCLK | (2)             | 2.2 V, 3 V      | 25  | 60  | 90  | kΩ   |

(1) f<sub>TCK</sub> may be restricted to meet the timing requirements of the module selected.

(2) TMS, TDI/TCLK, and TCK pullup resistors are implemented in all versions.

## 5.47 JTAG Fuse<sup>(1)</sup>

over recommended operating free-air temperature range (unless otherwise noted)

| PARAMETER           |  | TEST CONDITIONS       | MIN | MAX | UNIT |
|---------------------|--|-----------------------|-----|-----|------|
| V <sub>CC(FB)</sub> | Supply voltage during fuse-blow condition        | T <sub>A</sub> = 25°C | 2.5 |     | V    |
| V <sub>FB</sub>     | Voltage level on TDI/TCLK for fuse-blow (FG461x) |                       | 6   | 7   | V    |
| I <sub>FB</sub>     | Supply current into TDI/TCLK during fuse blow    |                       |     | 100 | mA   |
| t <sub>FB</sub>     | Time to blow fuse                                |                       |     | 1   | ms   |

(1) After the fuse is blown, no further access to the MSP430 JTAG/Test and emulation features is possible. The JTAG block is switched to bypass mode.

## 6 Detailed Description

### 6.1 CPU

The MSP430 CPU has a 16-bit RISC architecture that is highly transparent to the application. All operations, other than program-flow instructions, are performed as register operations in conjunction with seven addressing modes for source operand and four addressing modes for destination operand.

The CPU is integrated with 16 registers that provide reduced instruction execution time. The register-to-register operation execution time is one cycle of the CPU clock.

Four of the registers, R0 to R3, are dedicated as program counter, stack pointer, status register, and constant generator, respectively. The remaining registers are general-purpose registers.

Peripherals are connected to the CPU using data, address, and control buses, and can be handled with all instructions.

The MSP430xG461x device family uses the MSP430X CPU and is completely backwards compatible with the MSP430 CPU. For a complete description of the MSP430X CPU, refer to the *MSP430x4xx Family User's Guide* ([SLAU056](#)).

|                          |           |
|--------------------------|-----------|
| Program Counter          | PC/R0     |
| Stack Pointer            | SP/R1     |
| Status Register          | SR/CG1/R2 |
| Constant Generator       | CG2/R3    |
| General-Purpose Register | R4        |
| General-Purpose Register | R5        |
| General-Purpose Register | R6        |
| General-Purpose Register | R7        |
| General-Purpose Register | R8        |
| General-Purpose Register | R9        |
| General-Purpose Register | R10       |
| General-Purpose Register | R11       |
| General-Purpose Register | R12       |
| General-Purpose Register | R13       |
| General-Purpose Register | R14       |
| General-Purpose Register | R15       |



## 6.2 Instruction Set

The instruction set consists of the original 51 instructions with three formats and seven address modes and additional instructions for the expanded address range. Each instruction can operate on word and byte data. [Table 6-1](#) shows examples of the three types of instruction formats; the address modes are listed in [Table 6-2](#).

**Table 6-1. Instruction Word Formats**

| FORMAT                            | EXAMPLE   | OPERATION             |
|-----------------------------------|-----------|-----------------------|
| Dual operands, source-destination | ADD R4,R5 | R4 + R5 → R5          |
| Single operands, destination only | CALL R8   | PC → (TOS), R8 → PC   |
| Relative jump, un/conditional     | JNE       | Jump-on-equal bit = 0 |

**Table 6-2. Address Mode Descriptions**

| ADDRESS MODE           | S <sup>(1)</sup> | D <sup>(1)</sup> | SYNTAX             | EXAMPLE          | OPERATION                     |
|------------------------|------------------|------------------|--------------------|------------------|-------------------------------|
| Register               | •                | •                | MOV Rs,Rd          | MOV R10,R11      | R10 → R11                     |
| Indexed                | •                | •                | MOV X(Rn),Y(Rm)    | MOV 2(R5),6(R6)  | M(2+R5) → M(6+R6)             |
| Symbolic (PC relative) | •                | •                | MOV EDE,TONI       |                  | M(EDE) → M(TONI)              |
| Absolute               | •                | •                | MOV & MEM, & TCDAT |                  | M(MEM) → M(TCDAT)             |
| Indirect               | •                |                  | MOV @Rn,Y(Rm)      | MOV @R10,Tab(R6) | M(R10) → M(Tab+R6)            |
| Indirect autoincrement | •                |                  | MOV @Rn+,Rm        | MOV @R10+,R11    | M(R10) → R11<br>R10 + 2 → R10 |
| Immediate              | •                |                  | MOV #X,TONI        | MOV #45,TONI     | #45 → M(TONI)                 |

(1) NOTE: S = source D = destination

## 6.3 Operating Modes

These devices have one active mode and five software-selectable low-power modes of operation. An interrupt event can wake up the device from any of the five low-power modes, service the request, and restore back to the low-power mode on return from the interrupt program.

The following six operating modes can be configured by software:

- Active mode (AM)
  - All clocks are active
- Low-power mode 0 (LPM0)
  - CPU is disabled
  - ACLK and SMCLK remain active. MCLK is disabled
  - FLL+ loop control remains active
- Low-power mode 1 (LPM1)
  - CPU is disabled
  - FLL+ loop control is disabled
  - ACLK and SMCLK remain active. MCLK is disabled
- Low-power mode 2 (LPM2)
  - CPU is disabled
  - MCLK, FLL+ loop control and DCOCLK are disabled
  - DCO DC generator remains enabled
  - ACLK remains active
- Low-power mode 3 (LPM3)
  - CPU is disabled
  - MCLK, FLL+ loop control, and DCOCLK are disabled
  - DCO DC generator is disabled
  - ACLK remains active
- Low-power mode 4 (LPM4)
  - CPU is disabled
  - ACLK is disabled
  - MCLK, FLL+ loop control, and DCOCLK are disabled
  - DCO DC generator is disabled
  - Crystal oscillator is stopped

## 6.4 Interrupt Vector Addresses

The interrupt vectors and the power-up start address are in the address range 0FFFFh to 0FFC0h. The vector contains the 16-bit address of the appropriate interrupt-handler instruction sequence.

**Table 6-3. Interrupt Sources, Flags, and Vectors**

| INTERRUPT SOURCE   | INTERRUPT FLAG   | SYSTEM INTERRUPT                                | WORD ADDRESS | PRIORITY    |
|--|--|---|--------------|-------------|
| Power-Up<br>External Reset<br>Watchdog<br>Flash Memory   | WDTIFG<br>KEYV <sup>(1) (2)</sup>  | Reset   | 0FFFEh       | 31, highest |
| NMI<br>Oscillator Fault<br>Flash Memory Access Violation | NMIIFG <sup>(1) (3)</sup><br>OFIFG <sup>(1) (3)</sup><br>ACCVIFG <sup>(1) (4)(2)</sup> | (Non)maskable<br>(Non)maskable<br>(Non)maskable | 0FFFCh       | 30          |
| Timer_B7   | TBCCR0 CCIFG0 <sup>(4)</sup>   | Maskable  | 0FFFAh       | 29          |
| Timer_B7   | TBCCR1 CCIFG1 to TBCCR6 CCIFG6,<br>TBIFG <sup>(1)(4)</sup>                             | Maskable  | 0FFF8h       | 28          |
| Comparator_A   | CAIFG  | Maskable  | 0FFF6h       | 27          |
| Watchdog Timer+  | WDTIFG   | Maskable  | 0FFF4h       | 26          |
| USCI_A0, USCI_B0 Receive                                 | UCA0RXIFG, UCB0RXIFG <sup>(1)</sup>  | Maskable  | 0FFF2h       | 25          |
| USCI_A0, USCI_B0 Transmit                                | UCA0TXIFG, UCB0TXIFG <sup>(1)</sup>  | Maskable  | 0FFF0h       | 24          |
| ADC12  | ADC12IFG <sup>(1) (4)</sup>  | Maskable  | 0FFEEh       | 23          |
| Timer_A3   | TACCR0 CCIFG0 <sup>(4)</sup>   | Maskable  | 0FFECCh      | 22          |
| Timer_A3   | TACCR1 CCIFG1 and TACCR2 CCIFG2,<br>TAIFG <sup>(1) (4)</sup>                           | Maskable  | 0FFEAh       | 21          |
| I/O Port P1 (Eight Flags)                                | P1IFG.0 to P1IFG.7 <sup>(1) (4)</sup>  | Maskable  | 0FFE8h       | 20          |
| USART1 Receive   | URXIFG1  | Maskable  | 0FFE6h       | 19          |
| USART1 Transmit  | UTXIFG1  | Maskable  | 0FFE4h       | 18          |
| I/O Port P2 (Eight Flags)                                | P2IFG.0 to P2IFG.7 <sup>(1) (4)</sup>  | Maskable  | 0FFE2h       | 17          |
| Basic Timer 1, RTC                                       | BTIFG  | Maskable  | 0FFE0h       | 16          |
| DMA  | DMA0IFG, DMA1IFG, DMA2IFG <sup>(1) (4)</sup>   | Maskable  | 0FFDEh       | 15          |
| DAC12  | DAC12.0IFG, DAC12.1IFG <sup>(1) (4)</sup>  | Maskable  | 0FFDCh       | 14          |
| Reserved   | Reserved <sup>(5)</sup>  |   | 0FFDAh       | 13          |
|  |  |   | ⋮            | ⋮           |
|  |  |   | 0FFC0h       | 0, lowest   |

(1) Multiple source flags

(2) Access and key violations, KEYV and ACCVIFG, only applicable to FG devices.

(3) A reset is generated if the CPU tries to fetch instructions from within the module register memory address range (0h to 01FFh).  
(Non)maskable: the individual interrupt-enable bit can disable an interrupt event, but the general-interrupt enable cannot disable it.


(4) Interrupt flags are located in the module.

(5) The interrupt vectors at addresses 0FFDAh to 0FFC0h are not used in this device and can be used for regular program code if necessary.

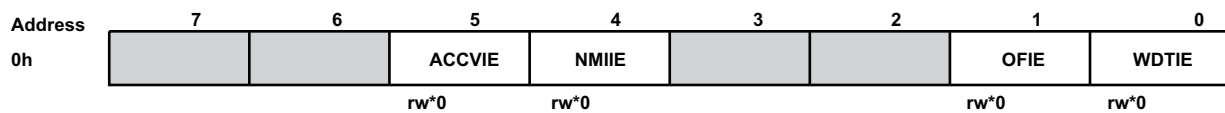
## 6.5 Special Function Registers (SFRs)

The MSP430 SFRs are in the lowest address space and are organized as byte mode registers. SFRs should be accessed with byte instructions.

### Legend

|   |   |
|---|---|
| rw  | Bit can be read and written.                            |
| rw-0, rw-1  | Bit can be read and written. It is Reset or Set by PUC. |
| rw-(0), rw-(1)  | Bit can be read and written. It is Reset or Set by POR. |
|  | SFR bit is not present in device                        |

### 6.5.1 Interrupt Enable 1 and 2

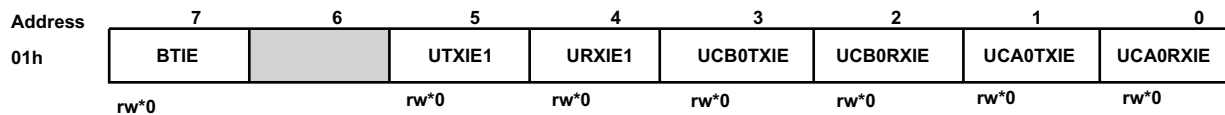


WDTIE Watchdog timer interrupt enable. Inactive if watchdog mode is selected.  
Active if watchdog timer is configured as a general-purpose timer.

OFIE Oscillator fault-interrupt enable

NMIIE Nonmaskable interrupt enable

ACCVIE Flash access violation interrupt enable



UCA0RXIE USCI\_A0 receive-interrupt enable

UCA0TXIE USCI\_A0 transmit-interrupt enable

UCB0RXIE USCI\_B0 receive-interrupt enable

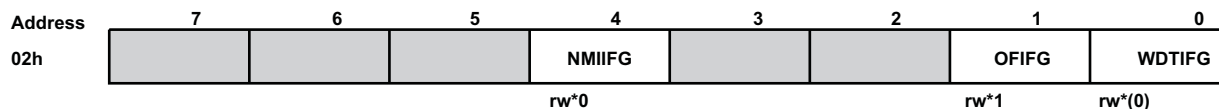
UCB0TXIE USCI\_B0 transmit-interrupt enable

URXIE1 USART1 UART and SPI receive-interrupt enable

UTXIE1 USART1 UART and SPI transmit-interrupt enable

BTIE Basic timer interrupt enable

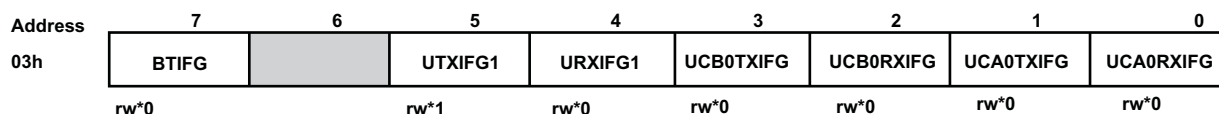
### 6.5.2 Interrupt Flag Register 1 and 2



WDTIFG Set on watchdog timer overflow (in watchdog mode) or security key violation  
Reset on V<sub>CC</sub> power-on or a reset condition at the  $\overline{\text{RST}}$ /NMI pin in reset mode

OFIFG Flag set on oscillator fault

NMIIFG Set by the  $\overline{\text{RST}}$ /NMI pin



UCA0RXIFG USCI\_A0 receive-interrupt flag

UCA0TXIFG USCI\_A0 transmit-interrupt flag

UCB0RXIFG USCI\_B0 receive-interrupt flag

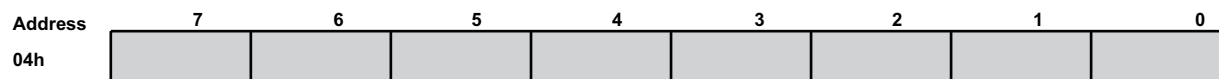
UCB0TXIFG USCI\_B0 transmit-interrupt flag

URXIFG0 USART1: UART and SPI receive flag

UTXIFG0 USART1: UART and SPI transmit flag

BTIFG Basic timer flag

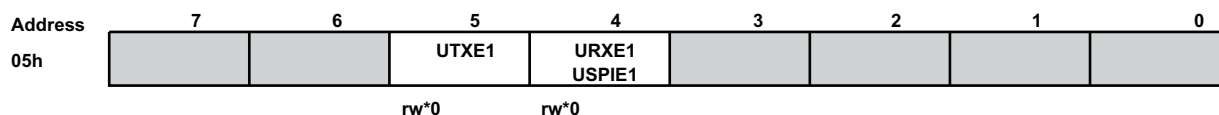
### 6.5.3 Module Enable Registers 1 and 2



URXE1 USART1: UART mode receive enable

UTXE1 USART1: UART mode transmit enable

USPIE1 USART1: SPI mode transmit and receive enable



URXE1 USART1: UART mode receive enable

UTXE1 USART1: UART mode transmit enable

USPIE1 USART1: SPI mode transmit and receive enable

## 6.6 Memory Organization

Table 6-4 summarizes the memory organization for the FG461x devices, and Table 6-5 summarizes the memory organization for the CG461x devices.

**Table 6-4. MSP430FG461x Memory Organization**

|   |                              |      | MSP430FG4616                        | MSP430FG4617                        | MSP430FG4618                        | MSP430FG4619                        |
|---|------------------------------|------|-------------------------------------|-------------------------------------|-------------------------------------|-------------------------------------|
| Memory<br>Main: interrupt vector<br>Main: code memory | Size                         |      | 92KB                                | 92KB                                | 116KB                               | 120KB                               |
|   | Flash<br>Flash               |      | 0FFFFh-0FFC0h<br>018FFFh-002100h    | 0FFFFh-0FFC0h<br>019FFFh-003100h    | 0FFFFh-0FFC0h<br>01FFFFh-003100h    | 0FFFFh-0FFC0h<br>01FFFFh-002100h    |
| RAM   | Total                        | Size | 4KB<br>020FFh-01100h                | 8KB<br>030FFh-01100h                | 8KB<br>030FFh-01100h                | 4KB<br>020FFh-01100h                |
|   | Extended                     | Size | 2KB<br>020FFh-01900h                | 6KB<br>030FFh-01900h                | 6KB<br>030FFh-01900h                | 2KB<br>020FFh-01900h                |
|   | Mirrored                     | Size | 2KB<br>018FFh-01100h                | 2KB<br>018FFh-01100h                | 2KB<br>018FFh-01100h                | 2KB<br>018FFh-01100h                |
| Information memory                                    | Size<br>Flash                |      | 256 Byte<br>010FFh-01000h           | 256 Byte<br>010FFh-01000h           | 256 Byte<br>010FFh-01000h           | 256 Byte<br>010FFh-01000h           |
| Boot memory   | Size<br>ROM                  |      | 1KB<br>0FFFh-0C00h                  | 1KB<br>0FFFh-0C00h                  | 1KB<br>0FFFh-0C00h                  | 1KB<br>0FFFh-0C00h                  |
| RAM<br>(Mirrored at 018FFh-01100h)                    | Size                         |      | 2KB<br>09FFh-0200h                  | 2KB<br>09FFh-0200h                  | 2KB<br>09FFh-0200h                  | 2KB<br>09FFh-0200h                  |
| Peripherals   | 16 bit<br>8 bit<br>8-bit SFR |      | 01FFh-0100h<br>0FFh-010h<br>0Fh-00h | 01FFh-0100h<br>0FFh-010h<br>0Fh-00h | 01FFh-0100h<br>0FFh-010h<br>0Fh-00h | 01FFh-0100h<br>0FFh-010h<br>0Fh-00h |

**Table 6-5. MSP430CG461x Memory Organization**

|   |                              |      | MSP430CG4616                        | MSP430CG4617                        | MSP430CG4618                        | MSP430CG4619                        |
|---|------------------------------|------|-------------------------------------|-------------------------------------|-------------------------------------|-------------------------------------|
| Memory<br>Main: interrupt vector<br>Main: code memory | Size                         |      | 92KB                                | 92KB                                | 116KB                               | 120KB                               |
|   | ROM<br>ROM                   |      | 0FFFFh-0FFC0h<br>018FFFh-002100h    | 0FFFFh-0FFC0h<br>019FFFh-003100h    | 0FFFFh-0FFC0h<br>01FFFFh-003100h    | 0FFFFh-0FFC0h<br>01FFFFh-002100h    |
| RAM   | Total                        | Size | 4KB<br>020FFh-01100h                | 8KB<br>030FFh-01100h                | 8KB<br>030FFh-01100h                | 4KB<br>020FFh-01100h                |
|   | Extended                     | Size | 2KB<br>020FFh-01900h                | 6KB<br>030FFh-01900h                | 6KB<br>030FFh-01900h                | 2KB<br>020FFh-01900h                |
|   | Mirrored                     | Size | 2KB<br>018FFh-01100h                | 2KB<br>018FFh-01100h                | 2KB<br>018FFh-01100h                | 2KB<br>018FFh-01100h                |
| Information memory                                    | Size<br>ROM                  |      | 256 Byte<br>010FFh-01000h           | 256 Byte<br>010FFh-01000h           | 256 Byte<br>010FFh-01000h           | 256 Byte<br>010FFh-01000h           |
| Boot memory<br>(Optional on CG)                       | Size<br>ROM                  |      | 1KB<br>0FFFh-0C00h                  | 1KB<br>0FFFh-0C00h                  | 1KB<br>0FFFh-0C00h                  | 1KB<br>0FFFh-0C00h                  |
| RAM<br>(Mirrored at 018FFh-01100h)                    | Size                         |      | 2KB<br>09FFh-0200h                  | 2KB<br>09FFh-0200h                  | 2KB<br>09FFh-0200h                  | 2KB<br>09FFh-0200h                  |
| Peripherals   | 16 bit<br>8 bit<br>8-bit SFR |      | 01FFh-0100h<br>0FFh-010h<br>0Fh-00h | 01FFh-0100h<br>0FFh-010h<br>0Fh-00h | 01FFh-0100h<br>0FFh-010h<br>0Fh-00h | 01FFh-0100h<br>0FFh-010h<br>0Fh-00h |

## 6.7 Bootstrap Loader (BSL)

The BSL lets users program the flash memory or RAM using a UART serial interface. Access to the MCU memory through the BSL is protected by user-defined password. A bootstrap loader security key is provided at address 0FFBEh to disable the BSL completely or to disable the erasure of the flash if an invalid password is supplied. The BSL is optional for ROM-based devices. For complete description of the features of the BSL and its implementation, see the application report *Features of the MSP430 Bootstrap Loader* ([SLAA089](#)).

| BSLKEY          | DESCRIPTION  |
|-----------------|--|
| 00000h          | Erase of flash disabled if an invalid password is supplied |
| 0AA55h          | BSL disabled   |
| any other value | BSL enabled  |

| BSL FUNCTION  | PZ/QW PACKAGE PINS |
|---------------|--------------------|
| Data Transmit | 87/A7 – P1.0       |
| Data Receiver | 86/E7 – P1.1       |

## 6.8 Flash Memory

The flash memory can be programmed by the JTAG port, the bootstrap loader, or in system by the CPU. The CPU can perform single-byte and single-word writes to the flash memory. Features of the flash memory include:

- Flash memory has n segments of main memory and two segments of information memory (A and B) of 128 bytes each. Each segment in main memory is 512 bytes in size.
- Segments 0 to n may be erased in one step, or each segment may be individually erased.
- Segments A and B can be erased individually, or as a group with segments 0-n. Segments A and B are also called information memory.
- New devices may have some bytes programmed in the information memory (needed for test during manufacturing). The user should perform an erase of the information memory before the first use.

## 6.9 Peripherals

Peripherals are connected to the CPU through data, address, and control buses. Peripherals can be handled using all instructions. For complete module descriptions, refer to the *MSP430x4xx Family User's Guide*.

### 6.9.1 DMA Controller

The DMA controller allows movement of data from one memory address to another without CPU intervention. For example, the DMA controller can be used to move data from the ADC12 conversion memory to RAM. Using the DMA controller can increase the throughput of peripheral modules. The DMA controller reduces system power consumption by allowing the CPU to remain in sleep mode without having to awaken to move data to or from a peripheral.

## 6.9.2 Oscillator and System Clock

The clock system in the MSP430xG461x family of devices is supported by the FLL+ module, which includes support for a 32768-Hz watch crystal oscillator, an internal digitally controlled oscillator (DCO), and a high-frequency crystal oscillator. The FLL+ clock module is designed to meet the requirements of both low system cost and low power consumption. The FLL+ features digital frequency locked loop (FLL) hardware that, in conjunction with a digital modulator, stabilizes the DCO frequency to a programmable multiple of the watch crystal frequency. The internal DCO provides a fast turnon clock source and stabilizes in less than 6  $\mu$ s. The FLL+ module provides the following clock signals:

- Auxiliary clock (ACLK), sourced from a 32768-Hz watch crystal or a high-frequency crystal
- Main clock (MCLK), the system clock used by the CPU
- Submain clock (SMCLK), the subsystem clock used by the peripheral modules
- ACLK/n, the buffered output of ACLK, ACLK/2, ACLK/4, or ACLK/8

## 6.9.3 Brownout, Supply Voltage Supervisor (SVS)

The brownout circuit provides the proper internal reset signal to the device during power-on and power-off. The SVS circuitry detects if the supply voltage drops below a user-selectable level and supports both supply voltage supervision (the device is automatically reset) and supply voltage monitoring (the device is not automatically reset).

The CPU begins code execution after the brownout circuit releases the device reset. However,  $V_{CC}$  may not have ramped to  $V_{CC(min)}$  at that time. The user must make sure the default FLL+ settings are not changed until  $V_{CC}$  reaches  $V_{CC(min)}$ . If desired, the SVS circuit can be used to determine when  $V_{CC}$  reaches  $V_{CC(min)}$ .

## 6.9.4 Digital I/O

There are ten 8-bit I/O ports implemented—ports P1 through P10:

- All individual I/O bits are independently programmable.
- Any combination of input, output, and interrupt conditions is possible.
- Edge-selectable interrupt input capability for all the eight bits of ports P1 and P2.
- Read and write access to port-control registers is supported by all instructions
- Ports P7/P8 and P9/P10 can be accessed word-wise as ports PA and PB, respectively.

## 6.9.5 Basic Timer1 and Real-Time Clock

The Basic Timer1 has two independent 8-bit timers that can be cascaded to form a 16-bit timer/counter. Both timers can be read and written by software. Basic Timer1 is extended to provide an integrated real-time clock (RTC). An internal calendar compensates for months with less than 31 days and includes leap-year correction.

## 6.9.6 LCD\_A Drive With Regulated Charge Pump

The LCD\_A driver generates the segment and common signals required to drive a segment LCD display. The LCD\_A controller has dedicated data memory to hold segment drive information. Common and segment signals are generated as defined by the mode. Static, 2-MUX, 3-MUX, and 4-MUX LCDs are supported by this peripheral. The module can provide a LCD voltage independent of the supply voltage with its integrated charge pump. Furthermore it is possible to control the level of the LCD voltage and, thus, contrast by software.

## 6.9.7 Watchdog Timer (WDT+)

The primary function of the WDT+ module is to perform a controlled system restart after a software problem occurs. If the selected time interval expires, a system reset is generated. If the watchdog function is not needed in an application, the module can be configured as an interval timer and can generate interrupts at selected time intervals.



### 6.9.8 Universal Serial Communication Interface (USCI)

The USCI modules are used for serial data communication. The USCI module supports synchronous communication protocols like SPI (3-pin or 4-pin), I<sup>2</sup>C, and asynchronous communication protocols like UART, enhanced UART with automatic baudrate detection, and IrDA.

The USCI\_A0 module provides support for SPI (3-pin or 4-pin), UART, enhanced UART and IrDA.

The USCI\_B0 module provides support for SPI (3-pin or 4-pin) and I<sup>2</sup>C.

### 6.9.9 USART1

The hardware universal synchronous/asynchronous receive transmit (USART) peripheral module is used for serial data communication. The USART supports synchronous SPI (3-pin or 4-pin) and asynchronous UART communication protocols, using double-buffered transmit and receive channels.

### 6.9.10 Hardware Multiplier

The multiplication operation is supported by a dedicated peripheral module. The module performs 16×16, 16×8, 8×16, and 8×8 bit operations. The module supports signed and unsigned multiplication as well as signed and unsigned multiply-and-accumulate operations. The result of an operation can be accessed immediately after the operands have been loaded into the peripheral registers. No additional clock cycles are required.

### 6.9.11 Timer\_A3

Timer\_A3 is a 16-bit timer/counter with three capture/compare registers. Timer\_A3 can support multiple capture/compares, PWM outputs, and interval timing. Timer\_A3 also has extensive interrupt capabilities. Interrupts may be generated from the counter on overflow conditions and from each of the capture/compare registers.

**Table 6-6. Timer\_A3 Signal Connections**

| INPUT PIN NUMBER | DEVICE INPUT SIGNAL       | MODULE INPUT NAME | MODULE BLOCK | MODULE OUT SIGNAL | OUTPUT PIN NUMBER |
|------------------|---------------------------|-------------------|--------------|-------------------|-------------------|
| PZ/QZW           |                           |                   |              |                   | PZ/QZW            |
| 82/B9 - P1.5     | TACLK                     | TACLK             | Timer        | NA                |                   |
|                  | ACLK                      | ACLK              |              |                   |                   |
|                  | SMCLK                     | SMCLK             |              |                   |                   |
| 82/B9 - P1.5     | $\overline{\text{TACLK}}$ | INCLK             |              |                   |                   |
| 87/A7 - P1.0     | TA0                       | CCI0A             | CCR0         | TA0               | 87/A7 - P1.0      |
| 86/E7 - P1.1     | TA0                       | CCI0B             |              |                   |                   |
|                  | DV <sub>SS</sub>          | GND               |              |                   |                   |
|                  | DV <sub>CC</sub>          | V <sub>CC</sub>   |              |                   |                   |
| 85/D7 - P1.2     | TA1                       | CCI1A             | CCR1         | TA1               | 85/D7 - P1.2      |
|                  | CAOUT (internal)          | CCI1B             |              |                   |                   |
|                  | DV <sub>SS</sub>          | GND               |              |                   |                   |
|                  | DV <sub>CC</sub>          | V <sub>CC</sub>   |              |                   |                   |
| 79/A10 - P2.0    | TA2                       | CCI2A             | CCR2         | TA2               | 79/A10 - P2.0     |
|                  | ACLK (internal)           | CCI2B             |              |                   |                   |
|                  | DV <sub>SS</sub>          | GND               |              |                   |                   |
|                  | DV <sub>CC</sub>          | V <sub>CC</sub>   |              |                   |                   |

### 6.9.12 Timer\_B7

Timer\_B7 is a 16-bit timer/counter with seven capture/compare registers. Timer\_B7 can support multiple capture/compares, PWM outputs, and interval timing. Timer\_B7 also has extensive interrupt capabilities. Interrupts may be generated from the counter on overflow conditions and from each of the capture/compare registers.

**Table 6-7. Timer\_B7 Signal Connections**

| INPUT PIN NUMBER | DEVICE INPUT SIGNAL | MODULE INPUT NAME | MODULE BLOCK | MODULE OUT SIGNAL | OUTPUT PIN NUMBER |
|------------------|---------------------|-------------------|--------------|-------------------|-------------------|
| PZ/QZW           |                     |                   |              |                   | PZ/QZW            |
| 83/B8 - P1.4     | TBCLK               | TBCLK             | Timer        | NA                |                   |
|                  | ACLK                | ACLK              |              |                   |                   |
|                  | SMCLK               | SMCLK             |              |                   |                   |
| 83/B8 - P1.4     | TBCLK               | INCLK             | CCR0CCR0     | TB0TB0            |                   |
| 78/D8 - P2.1     | TB0                 | CCI0A             |              |                   | 78/D8 - P2.1      |
| 78/D8 - P2.1     | TB0                 | CCI0B             |              |                   | ADC12 (internal)  |
|                  | DV <sub>SS</sub>    | GND               |              |                   |                   |
|                  | DV <sub>CC</sub>    | V <sub>CC</sub>   |              |                   |                   |
| 77/E8 - P2.2     | TB1                 | CCI1A             | CCR1         | TB1               | 77/E8 - P2.2      |
| 77/E8 - P2.2     | TB1                 | CCI1B             |              |                   | ADC12 (internal)  |
|                  | DV <sub>SS</sub>    | GND               |              |                   |                   |
|                  | DV <sub>CC</sub>    | V <sub>CC</sub>   |              |                   |                   |
| 76/A11 - P2.3    | TB2                 | CCI2A             | CCR2         | TB2               | 76/A11 - P2.3     |
| 76/A11 - P2.3    | TB2                 | CCI2B             |              |                   |                   |
|                  | DV <sub>SS</sub>    | GND               |              |                   |                   |
|                  | DV <sub>CC</sub>    | V <sub>CC</sub>   |              |                   |                   |
| 67/E12 - P3.4    | TB3                 | CCI3A             | CCR3         | TB3               | 67/E12 - P3.4     |
| 67/E12 - P3.4    | TB3                 | CCI3B             |              |                   |                   |
|                  | DV <sub>SS</sub>    | GND               |              |                   |                   |
|                  | DV <sub>CC</sub>    | V <sub>CC</sub>   |              |                   |                   |
| 66/G9 - P3.5     | TB4                 | CCI4A             | CCR4         | TB4               | 66/G9 - P3.5      |
| 66/G9 - P3.5     | TB4                 | CCI4B             |              |                   |                   |
|                  | DV <sub>SS</sub>    | GND               |              |                   |                   |
|                  | DV <sub>CC</sub>    | V <sub>CC</sub>   |              |                   |                   |
| 65/F11 - P3.6    | TB5                 | CCI5A             | CCR5         | TB5               | 65/F11 - P3.6     |
| 65/F11 - P3.6    | TB5                 | CCI5B             |              |                   |                   |
|                  | DV <sub>SS</sub>    | GND               |              |                   |                   |
|                  | DV <sub>CC</sub>    | V <sub>CC</sub>   |              |                   |                   |
| 64/F12 - P3.7    | TB6                 | CCI6A             | CCR6         | TB6               | 64/F12 - P3.7     |
|                  | ACLK (internal)     | CCI6B             |              |                   |                   |
|                  | DV <sub>SS</sub>    | GND               |              |                   |                   |
|                  | DV <sub>CC</sub>    | V <sub>CC</sub>   |              |                   |                   |

### 6.9.13 Comparator\_A

The primary function of the comparator\_A module is to support precision slope analog-to-digital conversions, battery-voltage supervision, and monitoring of external analog signals.

### 6.9.14 ADC12

The ADC12 module supports fast, 12-bit analog-to-digital conversions. The module implements a 12-bit SAR core, sample select control, reference generator and a 16 word conversion-and-control buffer. The conversion-and-control buffer allows up to 16 independent ADC samples to be converted and stored without any CPU intervention.

### 6.9.15 DAC12

The DAC12 module is a 12-bit R-ladder voltage-output DAC. The DAC12 can be used in 8-bit or 12-bit mode and can be used in conjunction with the DMA controller. When multiple DAC12 modules are present, they may be grouped together for synchronous operation.

### 6.9.16 OA

The MSP430xG461x has three configurable low-current general-purpose operational amplifiers. Each OA input and output terminal is software-selectable and offer a flexible choice of connections for various applications. The OA op amps primarily support front-end analog signal conditioning before analog-to-digital conversion.

**Table 6-8. OA Signal Connections**

| INPUT PIN NUMBER | DEVICE INPUT SIGNAL   | MODULE INPUT NAME | MODULE BLOCK | MODULE OUTPUT SIGNAL | DEVICE OUTPUT SIGNAL | OUTPUT PIN NUMBER |
|------------------|-----------------------|-------------------|--------------|----------------------|----------------------|-------------------|
| PZ               |                       |                   |              |                      |                      | PZ                |
| 95 - P6.0        | OA0I0                 | OA0I0             | OA0          | OA0OUT               | OA0O                 | 96 - P6.1         |
| 97 - P6.2        | OA0I1                 | OA0I1             |              |                      | OA0O                 | ADC12 (internal)  |
|                  | DAC12_0OUT (internal) | DAC12_0OUT        |              |                      |                      |                   |
|                  | DAC12_1OUT (internal) | DAC12_1OUT        |              |                      |                      |                   |
| 3- P6.4          | OA1I0                 | OA1I0             | OA1          | OA1OUT               | OA1O                 | 2- P6.3           |
| 13 - P5.0        | OA1I1                 | OA1I1             |              |                      | OA1O                 | 13- P5.0          |
|                  | DAC12_0OUT (internal) | DAC12_0OUT        |              |                      | OA1O                 | ADC12 (internal)  |
|                  | DAC12_1OUT (internal) | DAC12_1OUT        |              |                      |                      |                   |
| 5- P6.6          | OA2I0                 | OA2I0             | OA2          | OA2OUT               | OA2O                 | 4- P6.5           |
| 14 - P10.7       | OA2I1                 | OA2I1             |              |                      | OA2O                 | 14 - P10.7        |
|                  | DAC12_0OUT (internal) | DAC12_0OUT        |              |                      | OA2O                 | ADC12 (internal)  |
|                  | DAC12_1OUT (internal) | DAC12_1OUT        |              |                      |                      |                   |

### 6.9.17 Peripheral File Map

Table 6-9 lists the registers and addresses for peripherals with word access. Table 6-10 lists the registers and addresses for peripherals with byte access.

**Table 6-9. Peripherals With Word Access**

| MODULE                            | REGISTER NAME  | ACRONYM   | ADDRESS   |
|-----------------------------------|--|---|---|
| <b>Watchdog+</b>                  | Watchdog timer control   | WDTCTL  | 0120h   |
| <b>Timer_B7</b>                   | Capture/compare register 6<br>Capture/compare register 5<br>Capture/compare register 4<br>Capture/compare register 3<br>Capture/compare register 2<br>Capture/compare register 1<br>Capture/compare register 0<br>Timer_B register<br>Capture/compare control 6<br>Capture/compare control 5<br>Capture/compare control 4<br>Capture/compare control 3<br>Capture/compare control 2<br>Capture/compare control 1<br>Capture/compare control 0<br>Timer_B control<br>Timer_B interrupt vector | TBCCR6<br>TBCCR5<br>TBCCR4<br>TBCCR3<br>TBCCR2<br>TBCCR1<br>TBCCR0<br>TBR<br>TBCCTL6<br>TBCCTL5<br>TBCCTL4<br>TBCCTL3<br>TBCCTL2<br>TBCCTL1<br>TBCCTL0<br>TBCTL<br>TBIV | 019Eh<br>019Ch<br>019Ah<br>0198h<br>0196h<br>0194h<br>0192h<br>0190h<br>018Eh<br>018Ch<br>018Ah<br>0188h<br>0186h<br>0184h<br>0182h<br>0180h<br>011Eh |
| <b>Timer_A3</b>                   | Capture/compare register 2<br>Capture/compare register 1<br>Capture/compare register 0<br>Timer_A register<br>Capture/compare control 2<br>Capture/compare control 1<br>Capture/compare control 0<br>Timer_A control<br>Timer_A interrupt vector   | TACCR2<br>TACCR1<br>TACCR0<br>TAR<br>TACCTL2<br>TACCTL1<br>TACCTL0<br>TACTL<br>TAIV   | 0176h<br>0174h<br>0172h<br>0170h<br>0166h<br>0164h<br>0162h<br>0160h<br>012Eh   |
| <b>Hardware Multiplier</b>        | Sum extend<br>Result high word<br>Result low word<br>Second operand<br>Multiply signed + accumulate/operand1<br>Multiply + accumulate/operand1<br>Multiply signed/operand1<br>Multiply unsigned/operand1   | SUMEXT<br>RESHI<br>RESLO<br>OP2<br>MACS<br>MAC<br>MPYS<br>MPY   | 013Eh<br>013Ch<br>013Ah<br>0138h<br>0136h<br>0134h<br>0132h<br>0130h  |
| <b>Flash</b><br>(FG devices only) | Flash control 3<br>Flash control 2<br>Flash control 1  | FCTL3<br>FCTL2<br>FCTL1   | 012Ch<br>012Ah<br>0128h   |
| <b>DMA</b>                        | DMA module control 0<br>DMA module control 1<br>DMA interrupt vector   | DMACTL0<br>DMACTL1<br>DMAIV   | 0122h<br>0124h<br>0126h   |
| <b>DMA Channel 0</b>              | DMA channel 0 control<br>DMA channel 0 source address<br>DMA channel 0 destination address<br>DMA channel 0 transfer size  | DMA0CTL<br>DMA0SA<br>DMA0DA<br>DMA0SZ   | 01D0h<br>01D2h<br>01D6h<br>01DAh  |
| <b>DMA Channel 1</b>              | DMA channel 1 control<br>DMA channel 1 source address<br>DMA channel 1 destination address<br>DMA channel 1 transfer size  | DMA1CTL<br>DMA1SA<br>DMA1DA<br>DMA1SZ   | 01DCCh<br>01DEh<br>01E2h<br>01E6h   |
| <b>DMA Channel 2</b>              | DMA channel 2 control<br>DMA channel 2 source address<br>DMA channel 2 destination address<br>DMA channel 2 transfer size  | DMA2CTL<br>DMA2SA<br>DMA2DA<br>DMA2SZ   | 01E8h<br>01EAh<br>01EEh<br>01F2h  |

**Table 6-9. Peripherals With Word Access (continued)**

| MODULE  | REGISTER NAME                  | ACRONYM    | ADDRESS |
|---|--------------------------------|------------|---------|
| <b>ADC12</b><br>See also <a href="#">Table 6-10</a> | Conversion memory 15           | ADC12MEM15 | 015Eh   |
|   | Conversion memory 14           | ADC12MEM14 | 015Ch   |
|   | Conversion memory 13           | ADC12MEM13 | 015Ah   |
|   | Conversion memory 12           | ADC12MEM12 | 0158h   |
|   | Conversion memory 11           | ADC12MEM11 | 0156h   |
|   | Conversion memory 10           | ADC12MEM10 | 0154h   |
|   | Conversion memory 9            | ADC12MEM9  | 0152h   |
|   | Conversion memory 8            | ADC12MEM8  | 0150h   |
|   | Conversion memory 7            | ADC12MEM7  | 014Eh   |
|   | Conversion memory 6            | ADC12MEM6  | 014Ch   |
|   | Conversion memory 5            | ADC12MEM5  | 014Ah   |
|   | Conversion memory 4            | ADC12MEM4  | 0148h   |
|   | Conversion memory 3            | ADC12MEM3  | 0146h   |
|   | Conversion memory 2            | ADC12MEM2  | 0144h   |
|   | Conversion memory 1            | ADC12MEM1  | 0142h   |
|   | Conversion memory 0            | ADC12MEM0  | 0140h   |
|   | Interrupt-vector-word register | ADC12IV    | 01A8h   |
|   | Inerrupt-enable register       | ADC12IE    | 01A6h   |
| Inerrupt-flag register                              | ADC12IFG                       | 01A4h      |         |
| Control register 1                                  | ADC12CTL1                      | 01A2h      |         |
| Control register 0                                  | ADC12CTL0                      | 01A0h      |         |
| <b>DAC12</b>  | DAC12_1 data                   | DAC12_1DAT | 01CAh   |
|   | DAC12_1 control                | DAC12_1CTL | 01C2h   |
|   | DAC12_0 data                   | DAC12_0DAT | 01C8h   |
|   | DAC12_0 control                | DAC12_0CTL | 01C0h   |
| <b>Port PA</b>                                      | Port PA selection              | PASEL      | 03Eh    |
|   | Port PA direction              | PADIR      | 03Ch    |
|   | Port PA output                 | PAOUT      | 03Ah    |
|   | Port PA input                  | PAIN       | 038h    |
| <b>Port PB</b>                                      | Port PB selection              | PBSEL      | 00Eh    |
|   | Port PB direction              | PBDIR      | 00Ch    |
|   | Port PB output                 | PBOUT      | 00Ah    |
|   | Port PB input                  | PBIN       | 008h    |

**Table 6-10. Peripherals With Byte Access**

| MODULE   | REGISTER NAME                              | ACRONYM     | ADDRESS |
|--|--|-------------|---------|
| <b>OA2</b>   | Operational Amplifier 2 control register 1 | OA2CTL1     | 0C5h    |
|  | Operational Amplifier 2 control register 0 | OA2CTL0     | 0C4h    |
| <b>OA1</b>   | Operational Amplifier 1 control register 1 | OA1CTL1     | 0C3h    |
|  | Operational Amplifier 1 control register 0 | OA1CTL0     | 0C2h    |
| <b>OA0</b>   | Operational Amplifier 0 control register 1 | OA0CTL1     | 0C1h    |
|  | Operational Amplifier 0 control register 0 | OA0CTL0     | 0C0h    |
| <b>LCD_A</b>   | LCD Voltage Control 1                      | LCDAVCTL1   | 0AFh    |
|  | LCD Voltage Control 0                      | LCDAVCTL0   | 0AEh    |
|  | LCD Voltage Port Control 1                 | LCDAPCTL1   | 0ADh    |
|  | LCD Voltage Port Control 0                 | LCDAPCTL0   | 0ACh    |
|  | LCD memory 20                              | LCDM20      | 0A4h    |
|  | :  | :           | :       |
|  | LCD memory 16                              | LCDM16      | 0A0h    |
|  | LCD memory 15                              | LCDM15      | 09Fh    |
|  | :  | :           | :       |
|  | LCD memory 1                               | LCDM1       | 091h    |
|  | LCD control and mode                       | LCDCTL      | 090h    |
| <b>ADC12</b><br>(Memory control registers require byte access) | ADC memory-control register 15             | ADC12MCTL15 | 08Fh    |
|  | ADC memory-control register 14             | ADC12MCTL14 | 08Eh    |
|  | ADC memory-control register 13             | ADC12MCTL13 | 08Dh    |
|  | ADC memory-control register 12             | ADC12MCTL12 | 08Ch    |
|  | ADC memory-control register 11             | ADC12MCTL11 | 08Bh    |
|  | ADC memory-control register 10             | ADC12MCTL10 | 08Ah    |
|  | ADC memory-control register 9              | ADC12MCTL9  | 089h    |
|  | ADC memory-control register 8              | ADC12MCTL8  | 088h    |
|  | ADC memory-control register 7              | ADC12MCTL7  | 087h    |
|  | ADC memory-control register 6              | ADC12MCTL6  | 086h    |
|  | ADC memory-control register 5              | ADC12MCTL5  | 085h    |
|  | ADC memory-control register 4              | ADC12MCTL4  | 084h    |
|  | ADC memory-control register 3              | ADC12MCTL3  | 083h    |
|  | ADC memory-control register 2              | ADC12MCTL2  | 082h    |
|  | ADC memory-control register 1              | ADC12MCTL1  | 081h    |
| ADC memory-control register 0                                  | ADC12MCTL0                                 | 080h        |         |
| <b>USART1</b>  | Transmit buffer                            | U1TXBUF     | 07Fh    |
|  | Receive buffer                             | U1RXBUF     | 07Eh    |
|  | Baud rate                                  | U1BR1       | 07Dh    |
|  | Baud rate                                  | U1BR0       | 07Ch    |
|  | Modulation control                         | U1MCTL      | 07Bh    |
|  | Receive control                            | U1RCTL      | 07Ah    |
|  | Transmit control                           | U1TCTL      | 079h    |
|  | USART control                              | U1CTL       | 078h    |
| <b>USCI</b>  | USCI I2C Slave Address                     | UCBI2CSA    | 011Ah   |
|  | USCI I2C Own Address                       | UCBI2COA    | 0118h   |
|  | USCI Synchronous Transmit Buffer           | UCBTXBUF    | 06Fh    |
|  | USCI Synchronous Receive Buffer            | UCBRXBUF    | 06Eh    |
|  | USCI Synchronous Status                    | UCBSTAT     | 06Dh    |
|  | USCI I2C Interrupt Enable                  | UCBI2CIE    | 06Ch    |
|  | USCI Synchronous Bit Rate 1                | UCBBR1      | 06Bh    |
|  | USCI Synchronous Bit Rate 0                | UCBBR0      | 06Ah    |
|  | USCI Synchronous Control 1                 | UCBCTL1     | 069h    |
|  | USCI Synchronous Control 0                 | UCBCTL0     | 068h    |
|  | USCI Transmit Buffer                       | UCATXBUF    | 067h    |
|  | USCI Receive Buffer                        | UCARXBUF    | 066h    |
|  | USCI Status                                | UCASTAT     | 065h    |
|  | USCI Modulation Control                    | UCAMCTL     | 064h    |
|  | USCI Baud Rate 1                           | UCABR1      | 063h    |
|  | USCI Baud Rate 0                           | UCABR0      | 062h    |
|  | USCI Control 1                             | UCACTL1     | 061h    |
|  | USCI Control 0                             | UCACTL0     | 060h    |
|  | USCI IrDA Receive Control                  | UCAIRRCTL   | 05Fh    |
|  | USCI IrDA Transmit Control                 | UCAIRTCTL   | 05Eh    |
| USCI LIN Control   | UCAABCTL                                   | 05Dh        |         |
| <b>Comparator_A</b>  | Comparator_A port disable                  | CAPD        | 05Bh    |
|  | Comparator_A control 2                     | CACTL2      | 05Ah    |
|  | Comparator_A control 1                     | CACTL1      | 059h    |

**Table 6-10. Peripherals With Byte Access (continued)**

| MODULE                         | REGISTER NAME  | ACRONYM  | ADDRESS  |
|--------------------------------|--|--|--|
| <b>BrownOUT, SVS</b>           | SVS control register (Reset by brownout signal)  | SVSCTL   | 056h   |
| <b>FLL+Clock</b>               | FLL+ Control 1<br>FLL+ Control 0<br>System clock frequency control<br>System clock frequency integrator<br>System clock frequency integrator   | FLL_CTL1<br>FLL_CTL0<br>SCFQCTL<br>SCFI1<br>SCFI0  | 054h<br>053h<br>052h<br>051h<br>050h   |
| <b>RTC<br/>(Basic Timer 1)</b> | Real Time Clock Year High Byte<br>Real Time Clock Year Low Byte<br>Real Time Clock Month<br>Real Time Clock Day of Month<br>Basic Timer1 Counter 2<br>Basic Timer1 Counter 1<br>Real Time Counter 4<br>(Real Time Clock Day of Week)<br>Real Time Counter 3<br>(Real Time Clock Hour)<br>Real Time Counter 2<br>(Real Time Clock Minute)<br>Real Time Counter 1<br>(Real Time Clock Second)<br>Real Time Clock Control<br>Basic Timer1 Control | RTCYEARH<br>RTCYEARL<br>RTCMON<br>RTCDAW<br>BTCNT2<br>BTCNT1<br>RTCNT4<br>(RTCDOW)<br>RTCNT3<br>(RTCHOUR)<br>RTCNT2<br>(RTCMIN)<br>RTCNT1<br>(RTCSEC)<br>RTCCTL<br>BTCTL | 04Fh<br>04Eh<br>04Dh<br>04Ch<br>047h<br>046h<br>045h<br>044h<br>043h<br>042h<br>041h<br>040h |
| <b>Port P10</b>                | Port P10 selection<br>Port P10 direction<br>Port P10 output<br>Port P10 input  | P10SEL<br>P10DIR<br>P10OUT<br>P10IN  | 00Fh<br>00Dh<br>00Bh<br>009h   |
| <b>Port P9</b>                 | Port P9 selection<br>Port P9 direction<br>Port P9 output<br>Port P9 input  | P9SEL<br>P9DIR<br>P9OUT<br>P9IN  | 00Eh<br>00Ch<br>00Ah<br>008h   |
| <b>Port P8</b>                 | Port P8 selection<br>Port P8 direction<br>Port P8 output<br>Port P8 input  | P8SEL<br>P8DIR<br>P8OUT<br>P8IN  | 03Fh<br>03Dh<br>03Bh<br>039h   |
| <b>Port P7</b>                 | Port P7 selection<br>Port P7 direction<br>Port P7 output<br>Port P7 input  | P7SEL<br>P7DIR<br>P7OUT<br>P7IN  | 03Eh<br>03Ch<br>03Ah<br>038h   |
| <b>Port P6</b>                 | Port P6 selection<br>Port P6 direction<br>Port P6 output<br>Port P6 input  | P6SEL<br>P6DIR<br>P6OUT<br>P6IN  | 037h<br>036h<br>035h<br>034h   |
| <b>Port P5</b>                 | Port P5 selection<br>Port P5 direction<br>Port P5 output<br>Port P5 input  | P5SEL<br>P5DIR<br>P5OUT<br>P5IN  | 033h<br>032h<br>031h<br>030h   |
| <b>Port P4</b>                 | Port P4 selection<br>Port P4 direction<br>Port P4 output<br>Port P4 input  | P4SEL<br>P4DIR<br>P4OUT<br>P4IN  | 01Fh<br>01Eh<br>01Dh<br>01Ch   |
| <b>Port P3</b>                 | Port P3 selection<br>Port P3 direction<br>Port P3 output<br>Port P3 input  | P3SEL<br>P3DIR<br>P3OUT<br>P3IN  | 01Bh<br>01Ah<br>019h<br>018h   |
| <b>Port P2</b>                 | Port P2 selection<br>Port P2 interrupt enable<br>Port P2 interrupt-edge select<br>Port P2 interrupt flag<br>Port P2 direction<br>Port P2 output<br>Port P2 input   | P2SEL<br>P2IE<br>P2IES<br>P2IFG<br>P2DIR<br>P2OUT<br>P2IN  | 02Eh<br>02Dh<br>02Ch<br>02Bh<br>02Ah<br>029h<br>028h   |

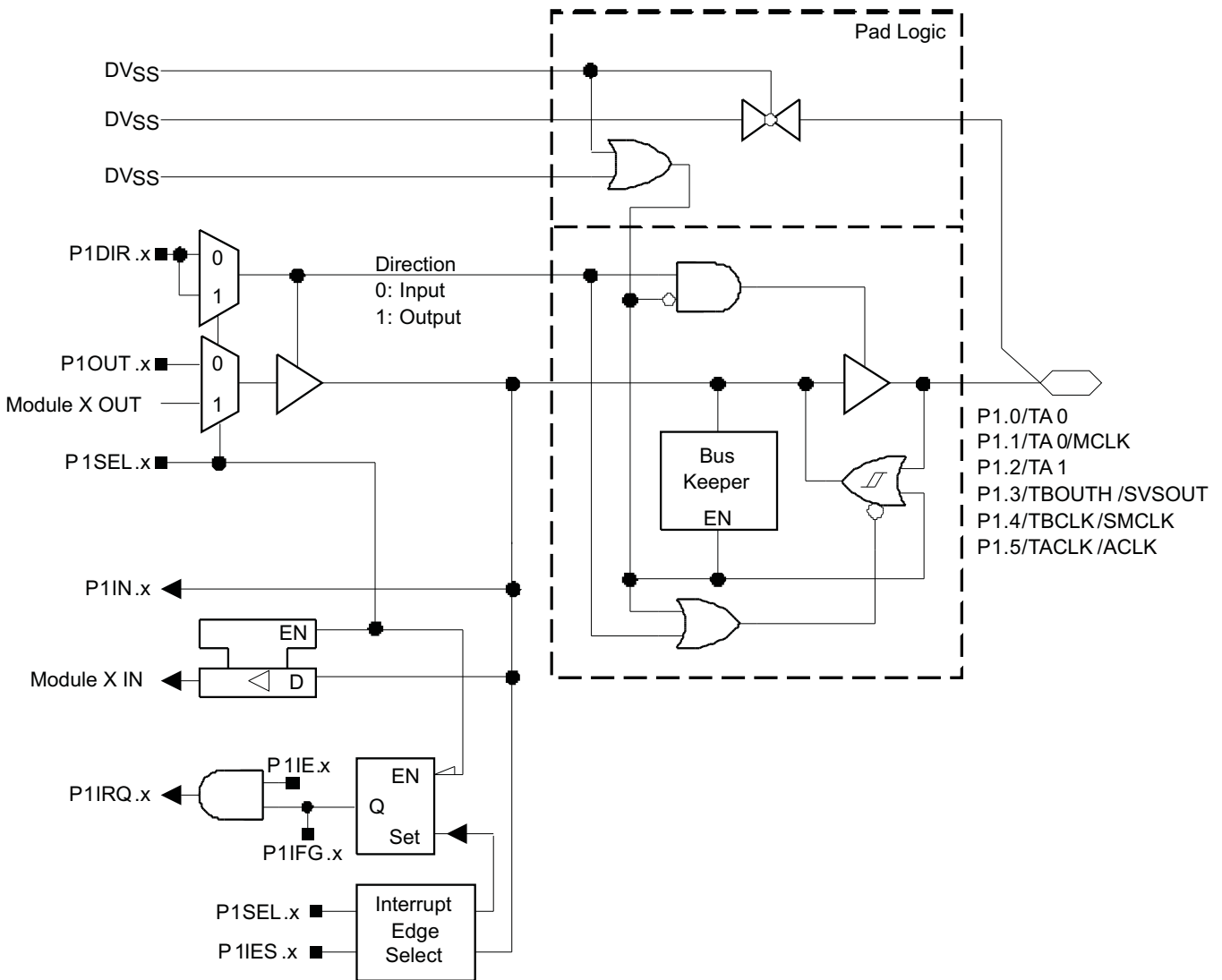
**Table 6-10. Peripherals With Byte Access (continued)**

| MODULE                   | REGISTER NAME                 | ACRONYM | ADDRESS |
|--------------------------|-------------------------------|---------|---------|
| <b>Port P1</b>           | Port P1 selection             | P1SEL   | 026h    |
|                          | Port P1 interrupt enable      | P1IE    | 025h    |
|                          | Port P1 interrupt-edge select | P1IES   | 024h    |
|                          | Port P1 interrupt flag        | P1IFG   | 023h    |
|                          | Port P1 direction             | P1DIR   | 022h    |
|                          | Port P1 output                | P1OUT   | 021h    |
|                          | Port P1 input                 | P1IN    | 020h    |
| <b>Special functions</b> | SFR module enable 2           | ME2     | 005h    |
|                          | SFR module enable 1           | ME1     | 004h    |
|                          | SFR interrupt flag 2          | IFG2    | 003h    |
|                          | SFR interrupt flag 1          | IFG1    | 002h    |
|                          | SFR interrupt enable 2        | IE2     | 001h    |
|                          | SFR interrupt enable 1        | IE1     | 000h    |



## 6.10 Input/Output Schematics

### 6.10.1 Port P1, P1.0 to P1.5, Input/Output With Schmitt Trigger

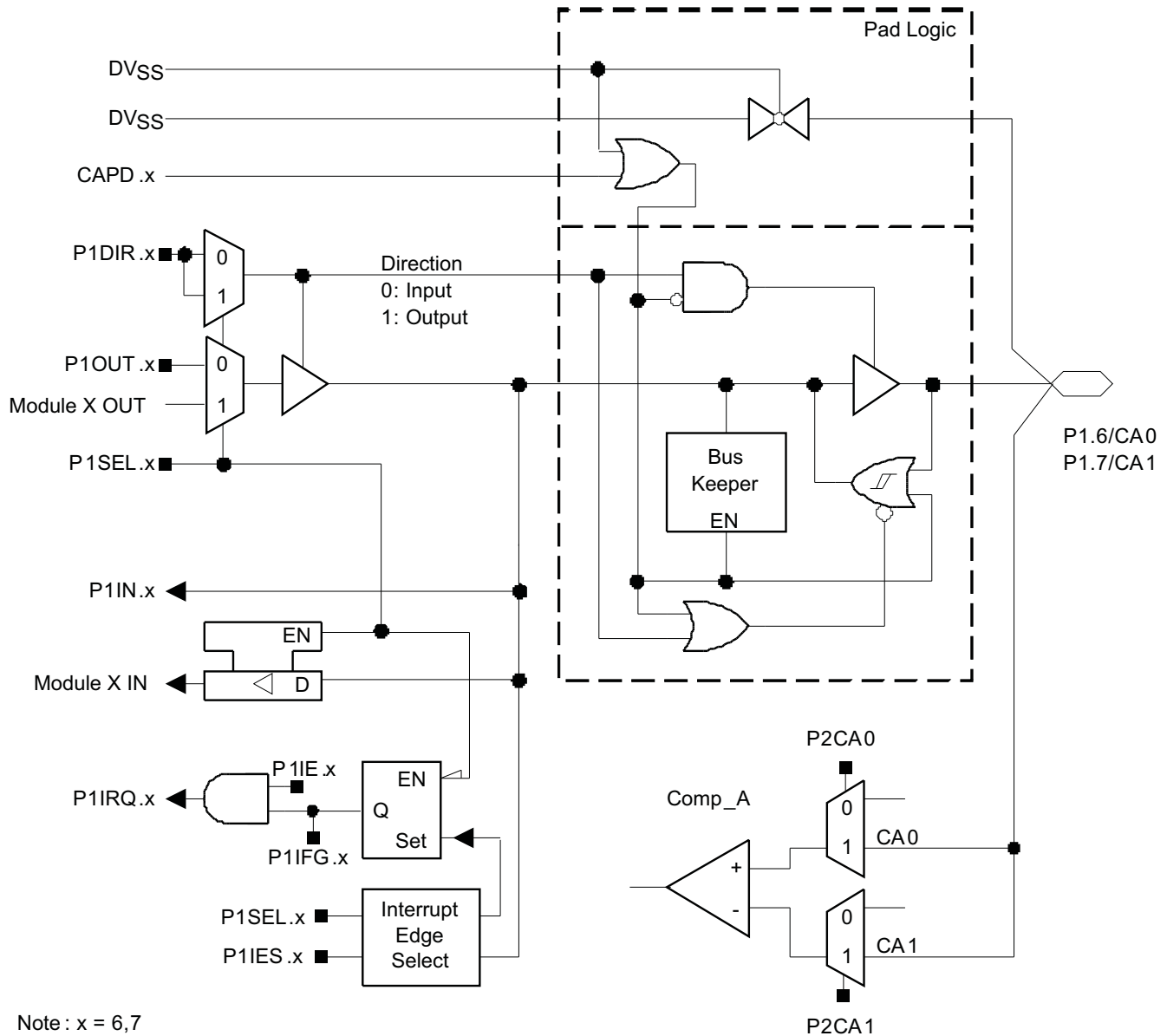


Note : x = 0,1,2,3,4,5

**Table 6-11. Port P1 (P1.0 to P1.5) Pin Functions**

| PIN NAME (P1.x)    | x | FUNCTION        | CONTROL BITS OR SIGNALS |         |
|--------------------|---|-----------------|-------------------------|---------|
|                    |   |                 | P1DIR.x                 | P1SEL.x |
| P1.0/TA0           | 0 | P1.0 (I/O)      | I: 0; O: 1              | 0       |
|                    |   | Timer_A3.CCI0A  | 0                       | 1       |
|                    |   | Timer_A3.TA0    | 1                       | 1       |
| P1.1/TA0/MCLK      | 1 | P1.1 (I/O)      | I: 0; O: 1              | 0       |
|                    |   | Timer_A3.CCI0B  | 0                       | 1       |
|                    |   | MCLK            | 1                       | 1       |
| P1.2/TA1           | 2 | P1.2 (I/O)      | I: 0; O: 1              | 0       |
|                    |   | Timer_A3.CCI1A  | 0                       | 1       |
|                    |   | Timer_A3.TA1    | 1                       | 1       |
| P1.3/TBOUTH/SVSOUT | 3 | P1.3 (I/O)      | I: 0; O: 1              | 0       |
|                    |   | Timer_B7.TBOUTH | 0                       | 1       |
|                    |   | SVSOUT          | 1                       | 1       |
| P1.4/TBCLK/SMCLK   | 4 | P1.4 (I/O)      | I: 0; O: 1              | 0       |
|                    |   | Timer_B7.TBCLK  | 0                       | 1       |
|                    |   | SMCLK           | 1                       | 1       |
| P1.5/TACLK/ACLK    | 5 | P1.5 (I/O)      | I: 0; O: 1              | 0       |
|                    |   | Timer_A3.TACLK  | 0                       | 1       |
|                    |   | ACLK            | 1                       | 1       |

### 6.10.2 Port P1, P1.6, P1.7, Input/Output With Schmitt Trigger



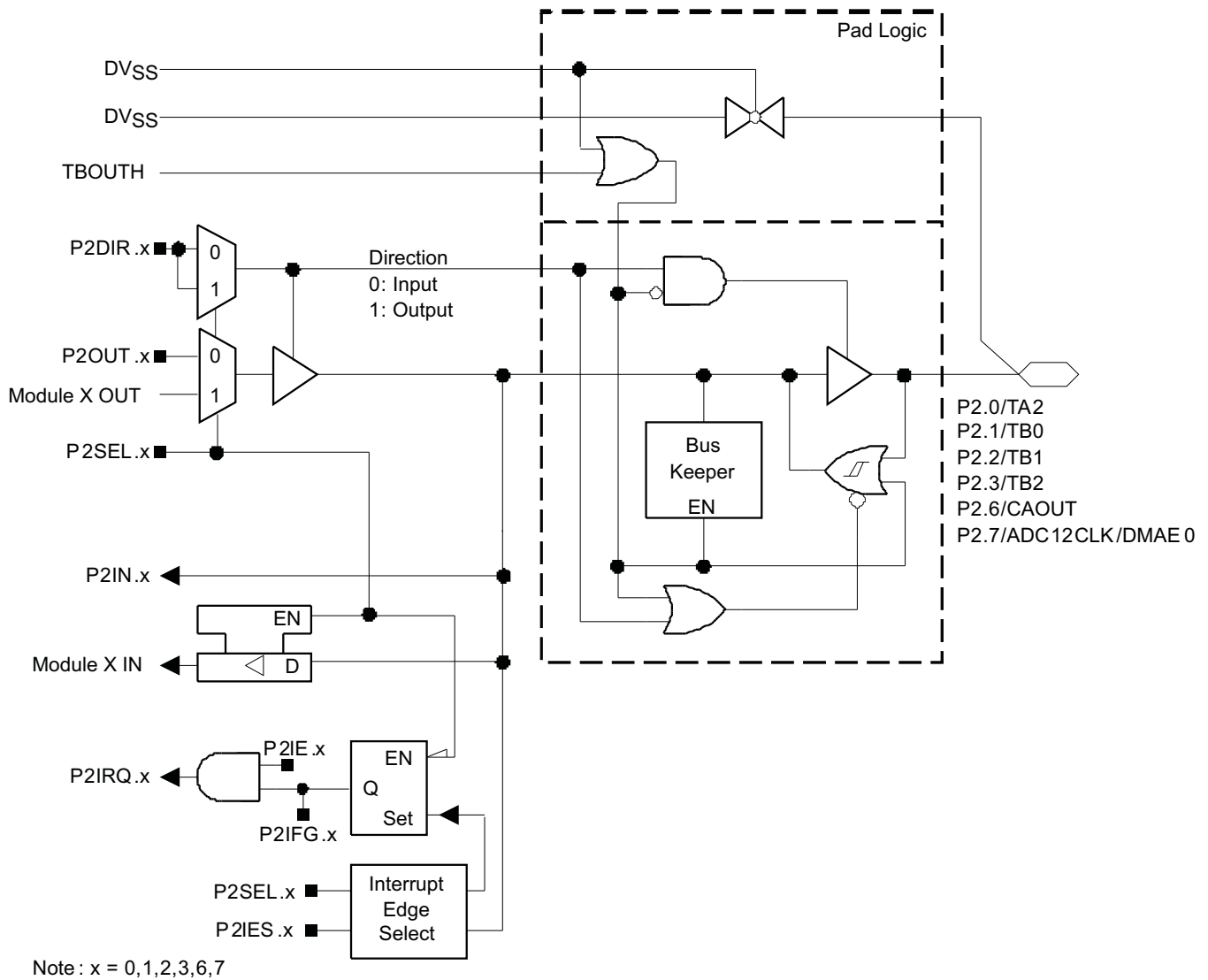
Note : x = 6,7

**Table 6-12. Port P1 (P1.6 and P1.7) Pin Functions**

| PIN NAME (P1.x) | x | FUNCTION   | CONTROL BITS OR SIGNALS <sup>(1)</sup> |            |         |
|-----------------|---|------------|--|------------|---------|
|                 |   |            | CAPD.x                                 | P1DIR.x    | P1SEL.x |
| P1.6/CA0        | 6 | P1.6 (I/O) | 0                                      | I: 0; O: 1 | 0       |
|                 |   | CA0        | 1                                      | X          | X       |
| P1.7/CA1        | 7 | P1.7 (I/O) | 0                                      | I: 0; O: 1 | 0       |
|                 |   | CA1        | 1                                      | X          | X       |

(1) X = don't care

### 6.10.3 Port P2, P2.0 to P2.3, P2.6 to P2.7, Input/Output With Schmitt Trigger

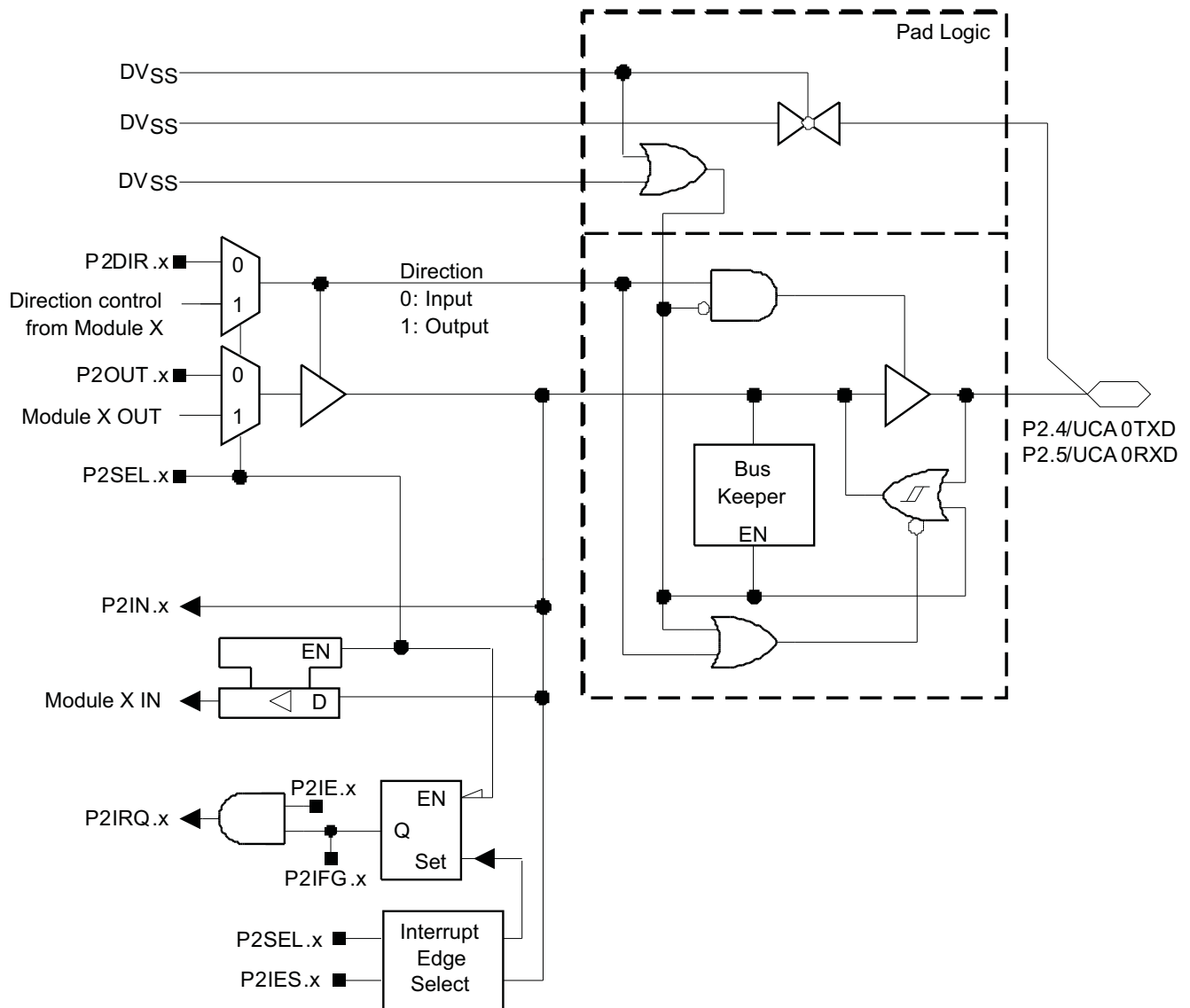


**Table 6-13. Port P2 (P2.0, P2.1, P2.2, P2.3, P2.6 and P2.7) Pin Functions**

| PIN NAME (P2.x)     | x | FUNCTION                          | CONTROL BITS OR SIGNALS |         |
|---------------------|---|-----------------------------------|-------------------------|---------|
|                     |   |                                   | P2DIR.x                 | P2SEL.x |
| P2.0/TA2            | 0 | P2.0 (I/O)                        | I: 0; O: 1              | 0       |
|                     |   | Timer_A3.CCI2A                    | 0                       | 1       |
|                     |   | Timer_A3.TA2                      | 1                       | 1       |
| P2.1/TB0            | 1 | P2.1 (I/O)                        | I: 0; O: 1              | 0       |
|                     |   | Timer_B7.CCI0A and Timer_B7.CCI0B | 0                       | 1       |
|                     |   | Timer_B7.TB0 <sup>(1)</sup>       | 1                       | 1       |
| P2.2/TB1            | 2 | P2.2 (I/O)                        | I: 0; O: 1              | 0       |
|                     |   | Timer_B7.CCI1A and Timer_B7.CCI1B | 0                       | 1       |
|                     |   | Timer_B7.TB1 <sup>(1)</sup>       | 1                       | 1       |
| P2.3/TB3            | 3 | P2.3 (I/O)                        | I: 0; O: 1              | 0       |
|                     |   | Timer_B7.CCI2A and Timer_B7.CCI2B | 0                       | 1       |
|                     |   | Timer_B7.TB3 <sup>(1)</sup>       | 1                       | 1       |
| P2.6/CAOUT          | 6 | P2.6 (I/O)                        | I: 0; O: 1              | 0       |
|                     |   | CAOUT                             | 1                       | 1       |
| P2.7/ADC12CLK/DMAE0 | 7 | P2.7 (I/O)                        | I: 0; O: 1              | 0       |
|                     |   | ADC12CLK                          | 1                       | 1       |
|                     |   | DMAE0                             | 0                       | 1       |

(1) Setting TBOUTH causes all Timer\_B outputs to be set to high impedance.

### 6.10.4 Port P2, P2.4 to P2.5, Input/Output With Schmitt Trigger



Note: x = 4,5

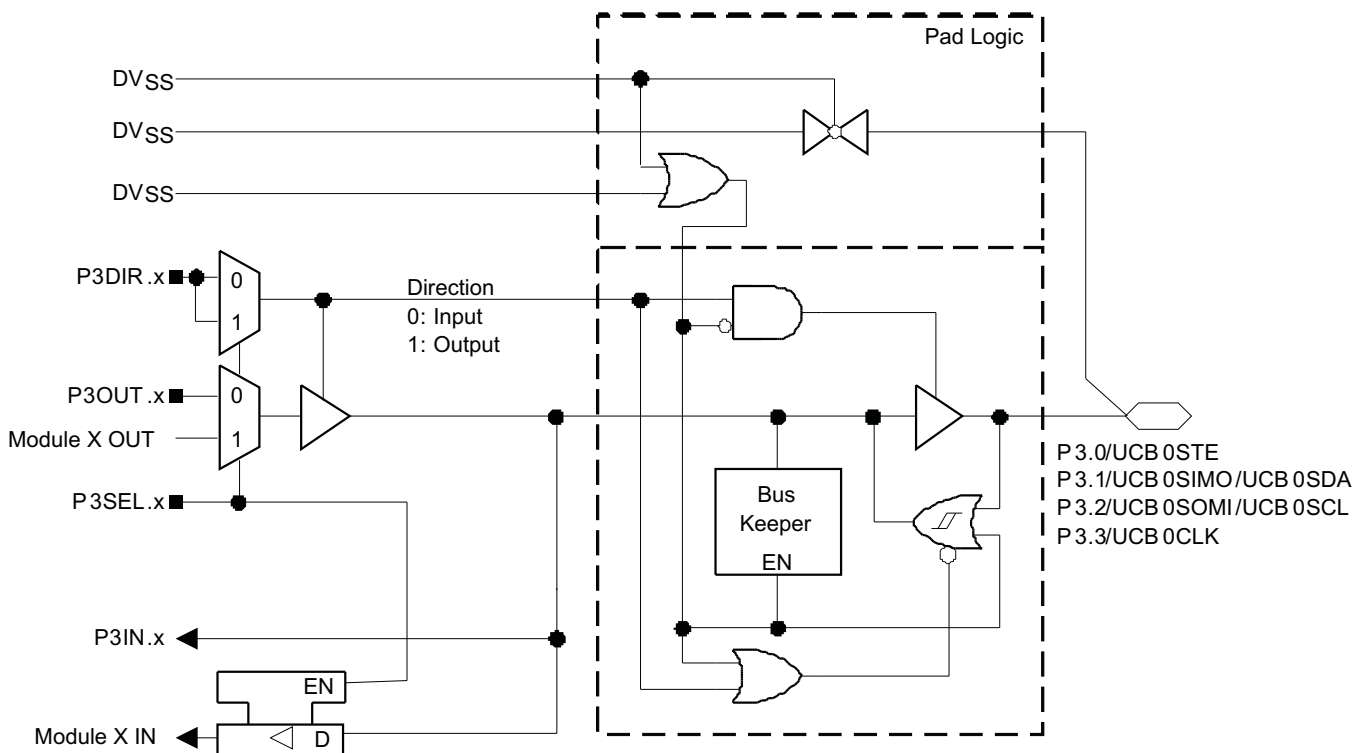
Table 6-14. Port P2 (P2.4 and P2.5) Pin Functions

| PIN NAME (P2.x) | x | FUNCTION                       | CONTROL BITS OR SIGNALS <sup>(1)</sup> |         |
|-----------------|---|--------------------------------|--|---------|
|                 |   |                                | P2DIR.x                                | P2SEL.x |
| P2.4/UCA0TXD    | 4 | P2.4 (I/O)                     | I: 0; O: 1                             | 0       |
|                 |   | USCI_A0.UCA0TXD <sup>(2)</sup> | X                                      | 1       |
| P2.5/UCA0RXD    | 5 | P2.5 (I/O)                     | I: 0; O: 1                             | 0       |
|                 |   | USCI_A0.UCA0RXD <sup>(2)</sup> | X                                      | 1       |

(1) X = don't care

(2) When in USCI mode, P2.4 is set to output, P2.5 is set to input.

### 6.10.5 Port P3, P3.0 to P3.3, Input/Output With Schmitt Trigger



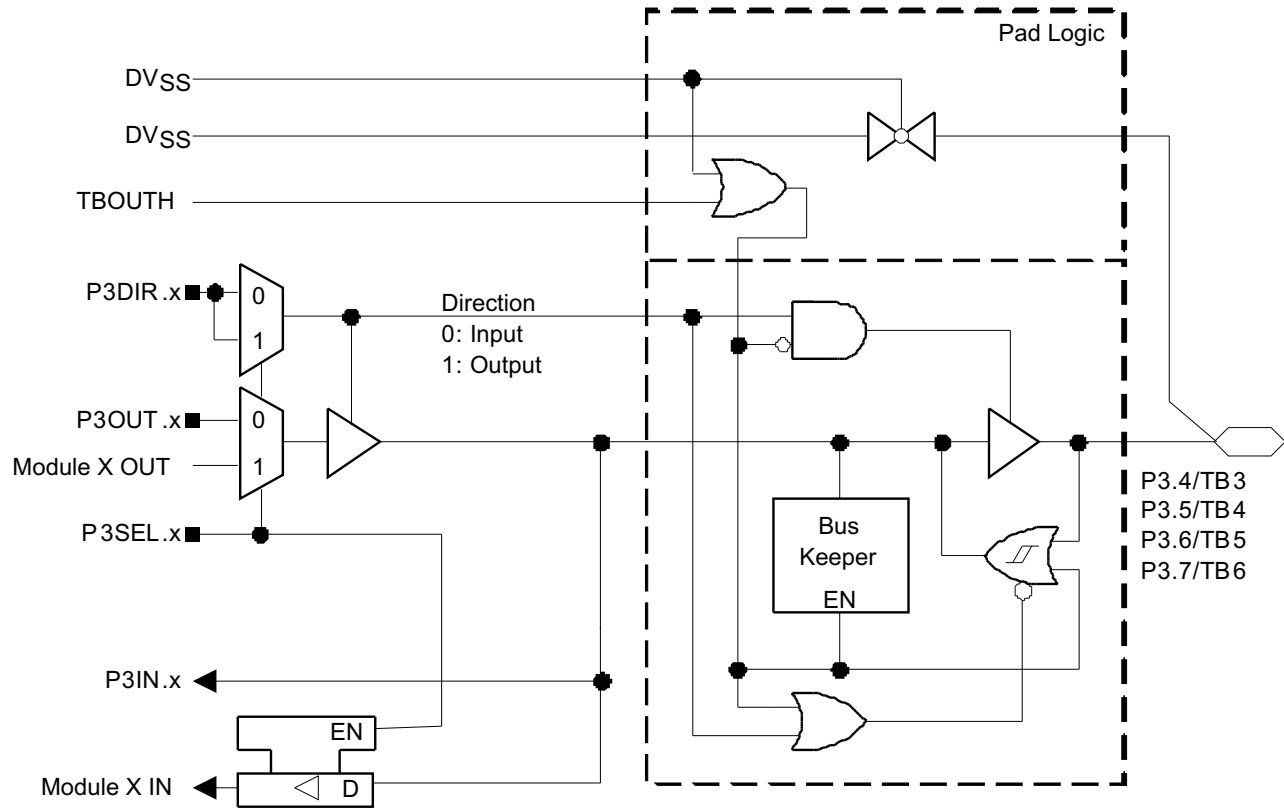
Note: x = 0,1,2,3

Table 6-15. Port P3 (P3.0 to P3.3) Pin Functions

| PIN NAME (P3.x)       | x | FUNCTION                            | CONTROL BITS OR SIGNALS <sup>(1)</sup> |         |
|-----------------------|---|-------------------------------------|--|---------|
|                       |   |                                     | P3DIR.x                                | P3SEL.x |
| P3.0/UCB0STE          | 0 | P3.0 (I/O)                          | I: 0; O: 1                             | 0       |
|                       |   | UCB0STE <sup>(2)</sup>              | X                                      | 1       |
| P3.1/UCB0SIMO/UCB0SDA | 1 | P3.1 (I/O)                          | I: 0; O: 1                             | 0       |
|                       |   | UCB0SIMO/UCB0SDA <sup>(2) (3)</sup> | X                                      | 1       |
| P3.2/UCB0SOMI/UCB0SCL | 2 | P3.2 (I/O)                          | I: 0; O: 1                             | 0       |
|                       |   | UCB0SOMI/UCB0SCL <sup>(2) (3)</sup> | X                                      | 1       |
| P3.3/UCB0CLK          | 3 | P3.3 (I/O)                          | I: 0; O: 1                             | 0       |
|                       |   | UCB0CLK <sup>(2)</sup>              | X                                      | 1       |

- (1) X = don't care
- (2) The pin direction is controlled by the USCI module.
- (3) If the I<sup>2</sup>C functionality is selected the output drives only the logical 0 to V<sub>SS</sub> level.

### 6.10.6 Port P3, P3.4 to P3.7, Input/Output With Schmitt Trigger



Note: x = 4,5,6,7

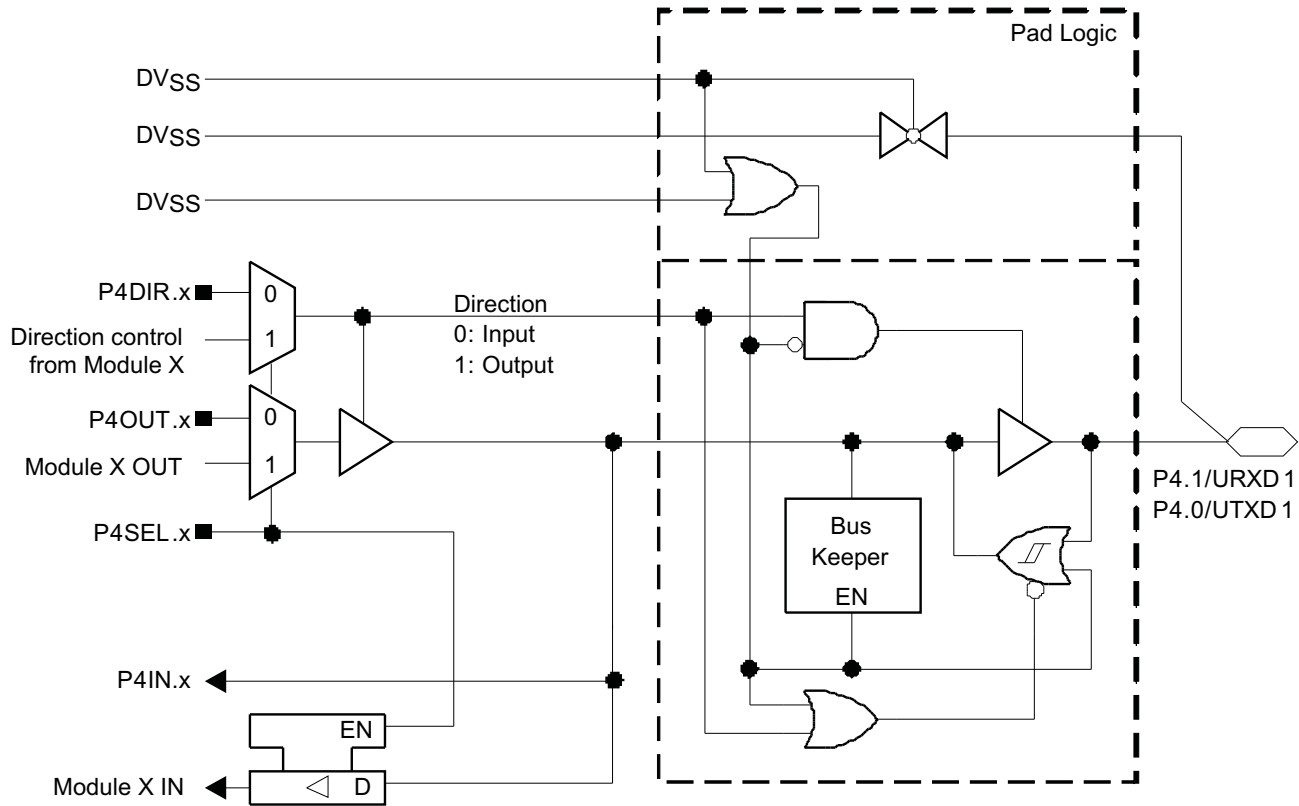
**Table 6-16. Port P3 (P3.4 to P3.7) Pin Functions**

| PIN NAME (P3.x) | x | FUNCTION                          | CONTROL BITS OR SIGNALS |         |
|-----------------|---|-----------------------------------|-------------------------|---------|
|                 |   |                                   | P3DIR.x                 | P3SEL.x |
| P3.4/TB3        | 4 | P3.4 (I/O)                        | I: 0; O: 1              | 0       |
|                 |   | Timer_B7.CCI3A and Timer_B7.CCI3B | 0                       | 1       |
|                 |   | Timer_B7.TB3 <sup>(1)</sup>       | 1                       | 1       |
| P3.5/TB4        | 5 | P3.5 (I/O)                        | I: 0; O: 1              | 0       |
|                 |   | Timer_B7.CCI4A and Timer_B7.CCI4B | 0                       | 1       |
|                 |   | Timer_B7.TB4 <sup>(1)</sup>       | 1                       | 1       |
| P3.6/TB5        | 6 | P3.6 (I/O)                        | I: 0; O: 1              | 0       |
|                 |   | Timer_B7.CCI5A and Timer_B7.CCI5B | 0                       | 1       |
|                 |   | Timer_B7.TB5 <sup>(1)</sup>       | 1                       | 1       |
| P3.7/TB6        | 7 | P3.7 (I/O)                        | I: 0; O: 1              | 0       |
|                 |   | Timer_B7.CCI6A and Timer_B7.CCI6B | 0                       | 1       |
|                 |   | Timer_B7.TB6 <sup>(1)</sup>       | 1                       | 1       |

(1) Setting TBOUTH causes all Timer\_B outputs to be set to high impedance.



### 6.10.7 Port P4, P4.0 to P4.1, Input/Output With Schmitt Trigger



Note: x = 0,1

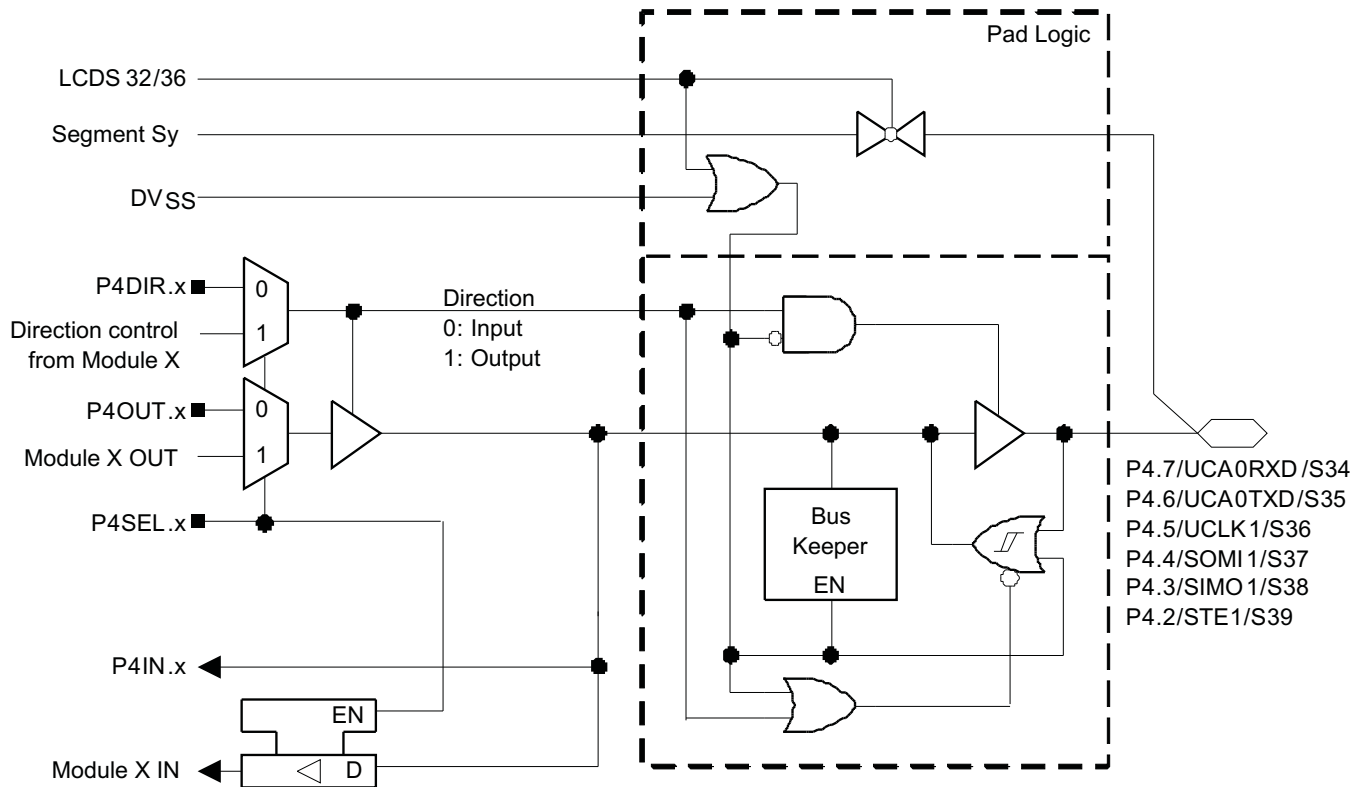
Table 6-17. Port P4 (P4.0 to P4.1) Pin Functions

| PIN NAME (P4.x) | x | FUNCTION                    | CONTROL BITS OR SIGNALS <sup>(1)</sup> |         |
|-----------------|---|-----------------------------|--|---------|
|                 |   |                             | P4DIR.x                                | P4SEL.x |
| P4.0/UTXD1      | 0 | P4.0 (I/O)                  | I: 0; O: 1                             | 0       |
|                 |   | USART1.UTXD1 <sup>(2)</sup> | X                                      | 1       |
| P4.1/URXD1      | 1 | P4.1 (I/O)                  | I: 0; O: 1                             | 0       |
|                 |   | USART1.URXD1 <sup>(2)</sup> | X                                      | 1       |

(1) X = don't care

(2) When in USART1 mode, P4.0 is set to output, P4.1 is set to input.

### 6.10.8 Port P4, P4.2 to P4.7, Input/Output With Schmitt Trigger



Note : x = 2,3,4,5,6,7  
 y = 34,35,36,37,38,39

**Table 6-18. Port P4 (P4.2 to P4.5) Pin Functions**

| PIN NAME (P4.x) | x | FUNCTION                    | CONTROL BITS OR SIGNALS <sup>(1)</sup> |         |        |
|-----------------|---|-----------------------------|--|---------|--------|
|                 |   |                             | P4DIR.x                                | P4SEL.x | LCDS36 |
| P4.2/STE1/S39   | 2 | P4.2 (I/O)                  | I: 0; O: 1                             | 0       | 0      |
|                 |   | USART1.STE1                 | X                                      | 1       | 0      |
|                 |   | S39                         | X                                      | X       | 1      |
| P4.3/SIMO/S38   | 3 | P4.3 (I/O)                  | I: 0; O: 1                             | 0       | 0      |
|                 |   | USART1.SIMO1 <sup>(2)</sup> | X                                      | 1       | 0      |
|                 |   | S38                         | X                                      | X       | 1      |
| P4.4/SOMI/S37   | 4 | P4.4 (I/O)                  | I: 0; O: 1                             | 0       | 0      |
|                 |   | USART1.SOMI1 <sup>(2)</sup> | X                                      | 1       | 0      |
|                 |   | S37                         | X                                      | X       | 1      |
| P4.5/SOMI/S36   | 5 | P4.5 (I/O)                  | I: 0; O: 1                             | 0       | 0      |
|                 |   | USART1.UCLK1 <sup>(2)</sup> | X                                      | 1       | 0      |
|                 |   | S36                         | X                                      | X       | 1      |

(1) X = don't care

(2) The pin direction is controlled by the USART1 module.

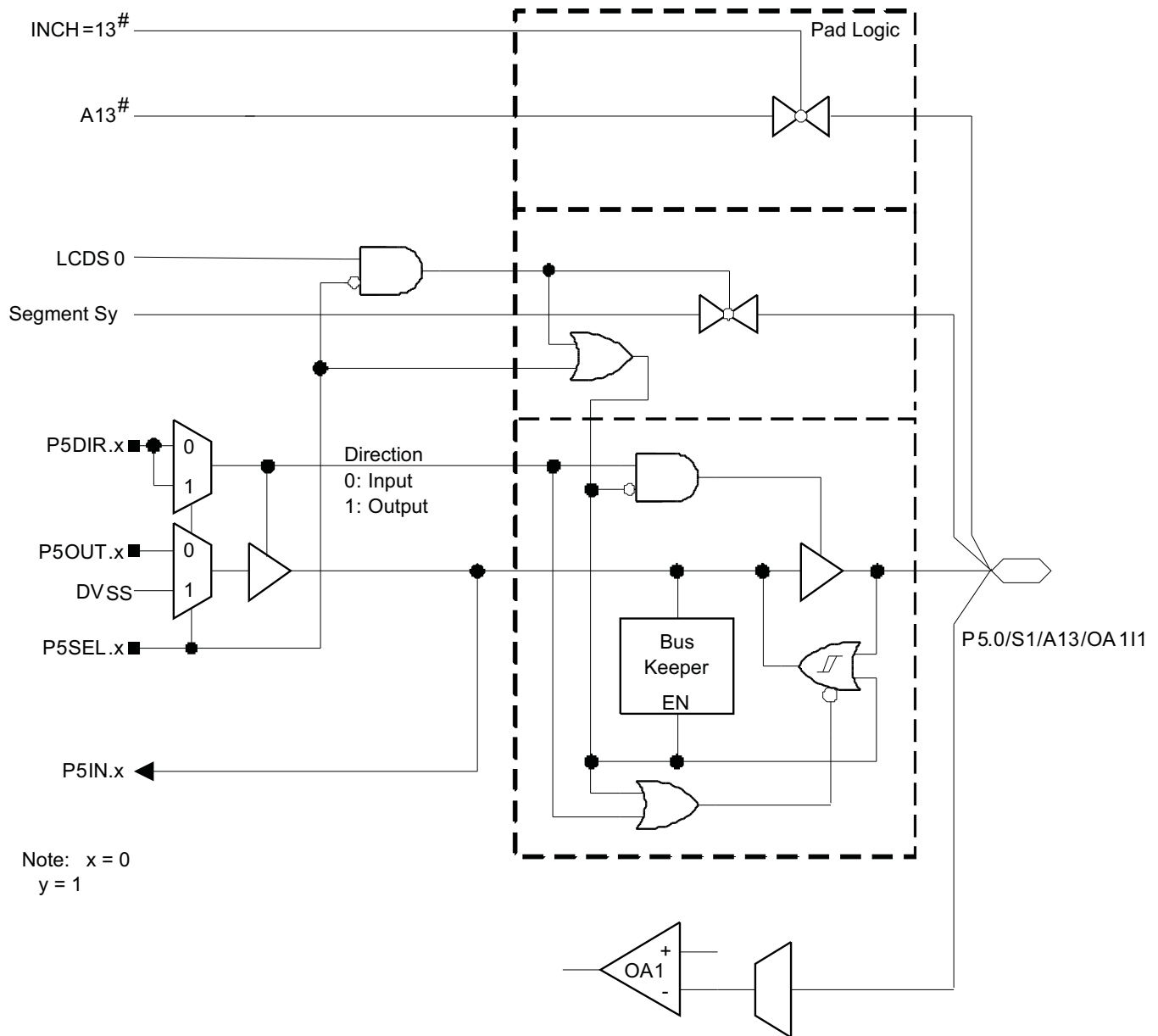
**Table 6-19. Port P4 (P4.6 and P4.7) Pin Functions**

| PIN NAME (P4.x)  | x | FUNCTION                       | CONTROL BITS OR SIGNALS <sup>(1)</sup> |         |        |
|------------------|---|--------------------------------|--|---------|--------|
|                  |   |                                | P4DIR.x                                | P4SEL.x | LCDS32 |
| P4.6/UCA0TXD/S35 | 6 | P4.6 (I/O)                     | I: 0; O: 1                             | 0       | 0      |
|                  |   | USCI_A0.UCA0TXD <sup>(2)</sup> | X                                      | 1       | 0      |
|                  |   | S35                            | X                                      | X       | 1      |
| P4.7/UCA0RXD/S34 | 7 | P4.7 (I/O)                     | I: 0; O: 1                             | 0       | 0      |
|                  |   | USCI_A0.UCA0RXD <sup>(2)</sup> | X                                      | 1       | 0      |
|                  |   | S34                            | X                                      | X       | 1      |

(1) X = don't care

(2) When in USCI mode, P4.6 is set to output, P4.7 is set to input.

### 6.10.9 Port P5, P5.0, Input/Output With Schmitt Trigger



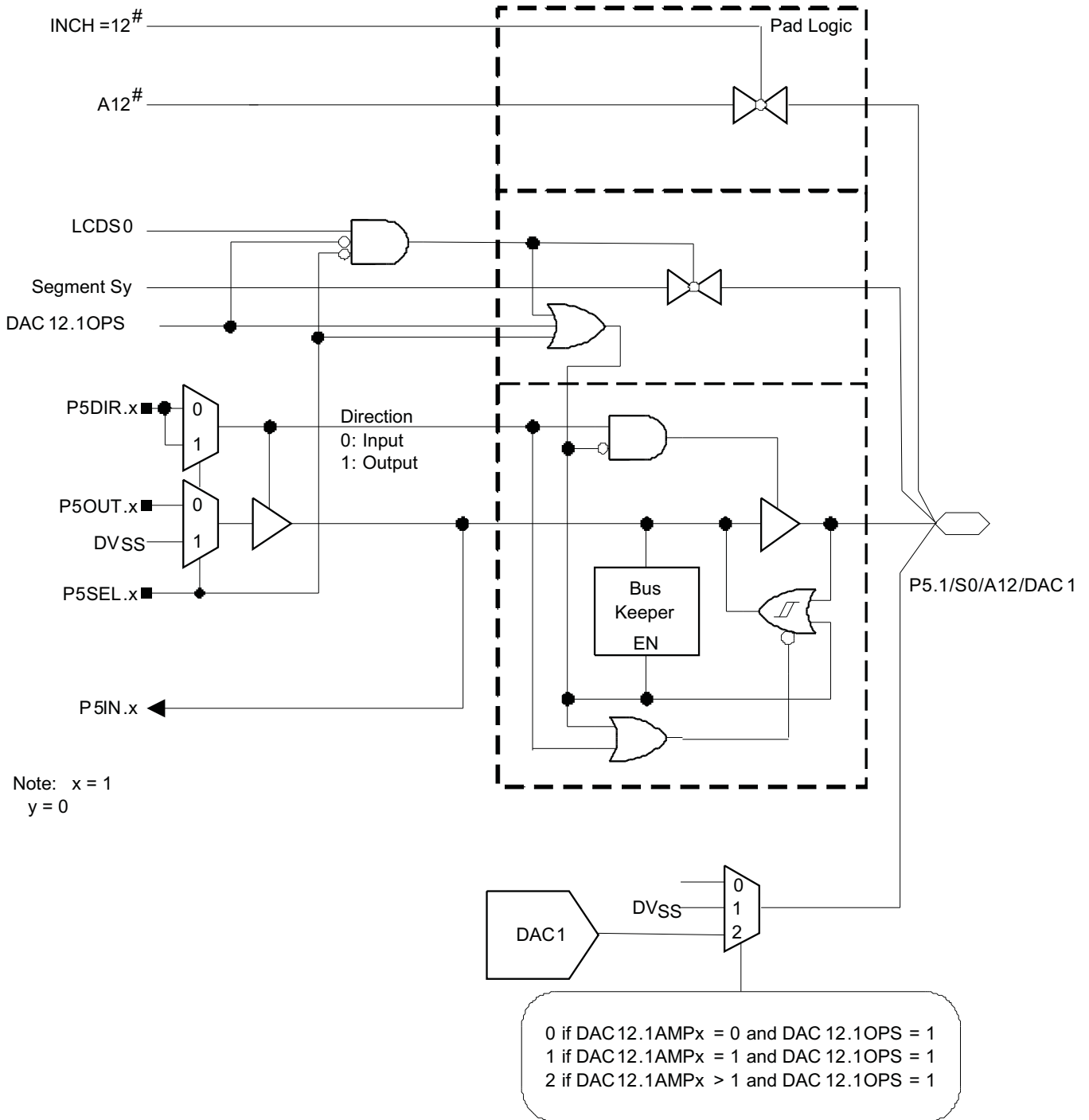
**Table 6-20. Port P5 (P5.0) Pin Functions**

| PIN NAME (P5.x)   | x | FUNCTION           | CONTROL BITS OR SIGNALS <sup>(1)</sup> |         |       |                          |       |
|-------------------|---|--------------------|--|---------|-------|--------------------------|-------|
|                   |   |                    | P5DIR.x                                | P5SEL.x | INCHx | OAPx (OA1)<br>OANx (OA1) | LCDS0 |
| P5.0/S1/A13/OA111 | 0 | P5.0 (I/O)         | I: 0; O: 1                             | 0       | X     | X                        | 0     |
|                   |   | OAI11              | 0                                      | X       | X     | 1                        | 0     |
|                   |   | A13 <sup>(2)</sup> | X                                      | 1       | 13    | X                        | X     |
|                   |   | S1 enabled         | X                                      | 0       | X     | X                        | 1     |
|                   |   | S1 disabled        | X                                      | 1       | X     | X                        | 1     |

(1) X = don't care

(2) Setting the P5SEL.x bit disables the output driver and the input Schmitt trigger to prevent parasitic cross currents when applying analog signals.

6.10.10 Port P5, P5.1, Input/Output With Schmitt Trigger



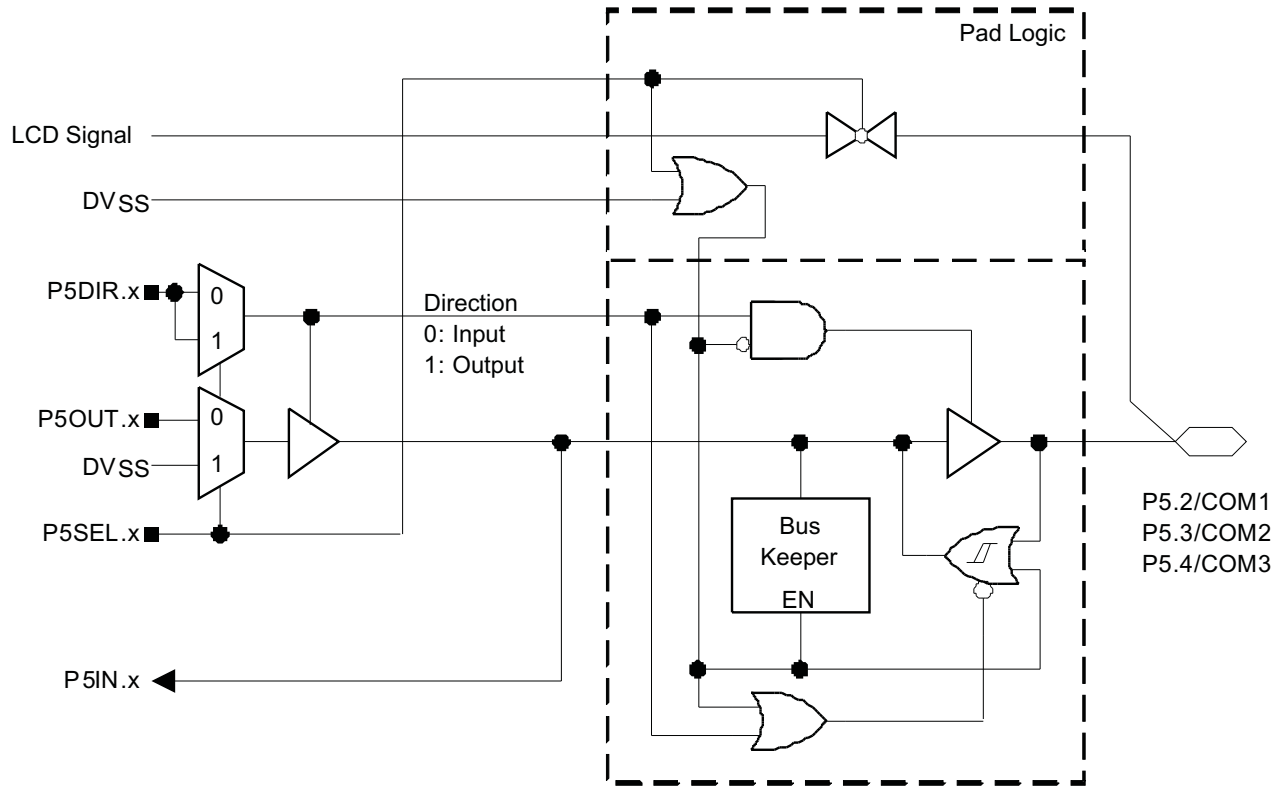
**Table 6-21. Port P5 (P5.1) Pin Functions**

| PIN NAME (P5.x)  | x | FUNCTION            | CONTROL BITS OR SIGNALS <sup>(1)</sup> |         |       |            |             |       |
|------------------|---|---------------------|--|---------|-------|------------|-------------|-------|
|                  |   |                     | P5DIR.x                                | P5SEL.x | INCHx | DAC12.1OPS | DAC12.1AMPx | LCDS0 |
| P5.1/S0/A12/DAC1 | 1 | P5.1 (I/O)          | I: 0; O: 1                             | 0       | X     | 0          | X           | 0     |
|                  |   | DAC1 high impedance | X                                      | X       | X     | 1          | 0           | X     |
|                  |   | DVSS                | X                                      | X       | X     | 1          | 1           | X     |
|                  |   | DAC1 output         | X                                      | X       | X     | 1          | >1          | X     |
|                  |   | A12 <sup>(2)</sup>  | X                                      | 1       | 12    | 0          | X           | 0     |
|                  |   | S0 enabled          | X                                      | 0       | X     | 0          | X           | 1     |
|                  |   | S0 disabled         | X                                      | 1       | X     | 0          | X           | 1     |

(1) X = don't care

(2) Setting the P5SEL.x bit disables the output driver and the input Schmitt trigger to prevent parasitic cross currents when applying analog signals.

6.10.11 Port P5, P5.2 to P5.4, Input/Output With Schmitt Trigger



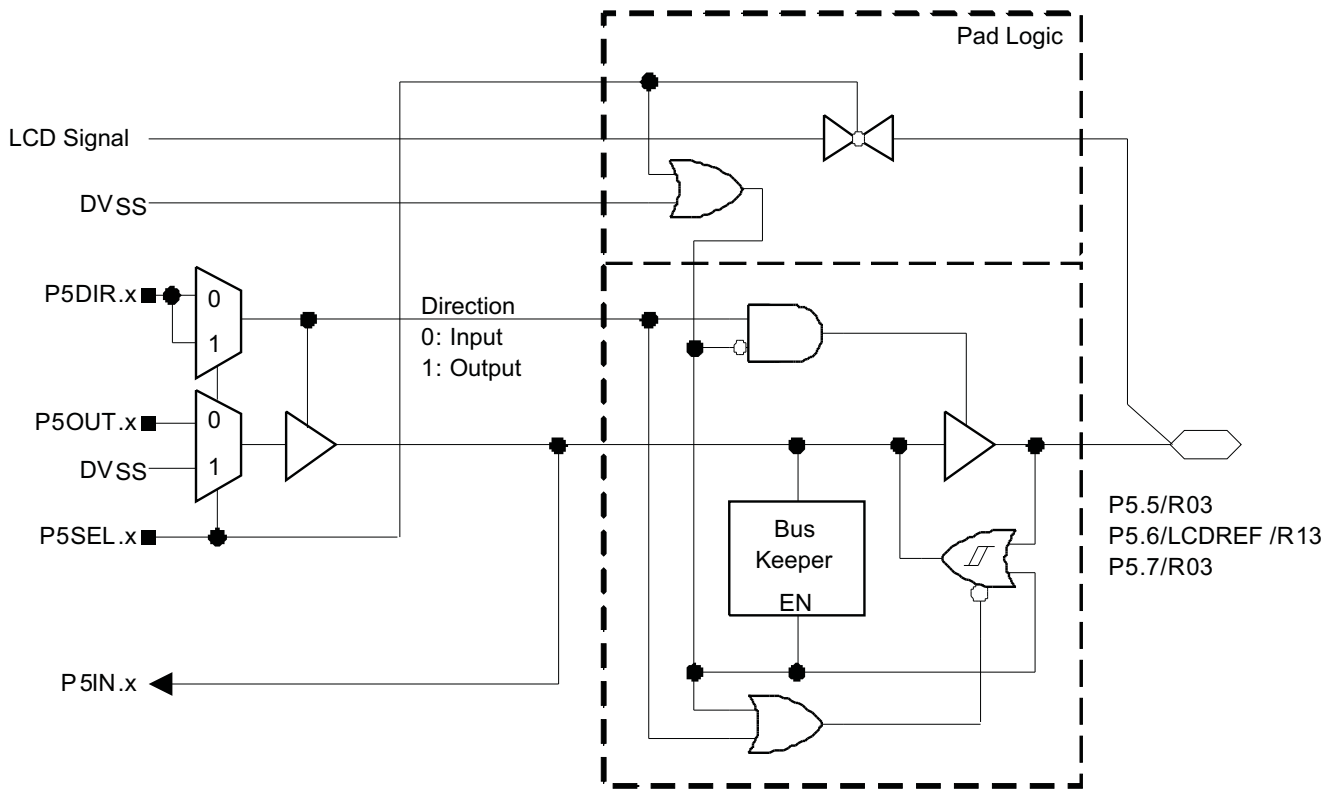
Note : x = 2,3,4

Table 6-22. Port P5 (P5.2 to P5.4) Pin Functions

| PIN NAME (P5.x) | x | FUNCTION   | CONTROL BITS OR SIGNALS <sup>(1)</sup> |         |
|-----------------|---|------------|--|---------|
|                 |   |            | P5DIR.x                                | P5SEL.x |
| P5.2/COM1       | 2 | P5.2 (I/O) | I: 0; O: 1                             | 0       |
|                 |   | COM1       | X                                      | 1       |
| P5.3/COM2       | 3 | P5.3 (I/O) | I: 0; O: 1                             | 0       |
|                 |   | COM2       | X                                      | 1       |
| P5.4/COM3       | 4 | P5.4 (I/O) | I: 0; O: 1                             | 0       |
|                 |   | COM3       | X                                      | 1       |

(1) X = don't care

### 6.10.12 Port P5, P5.5 to P5.7, Input/Output With Schmitt Trigger



Note: x = 5,6,7

Table 6-23. Port P5 (P5.5 to P5.7) Pin Functions

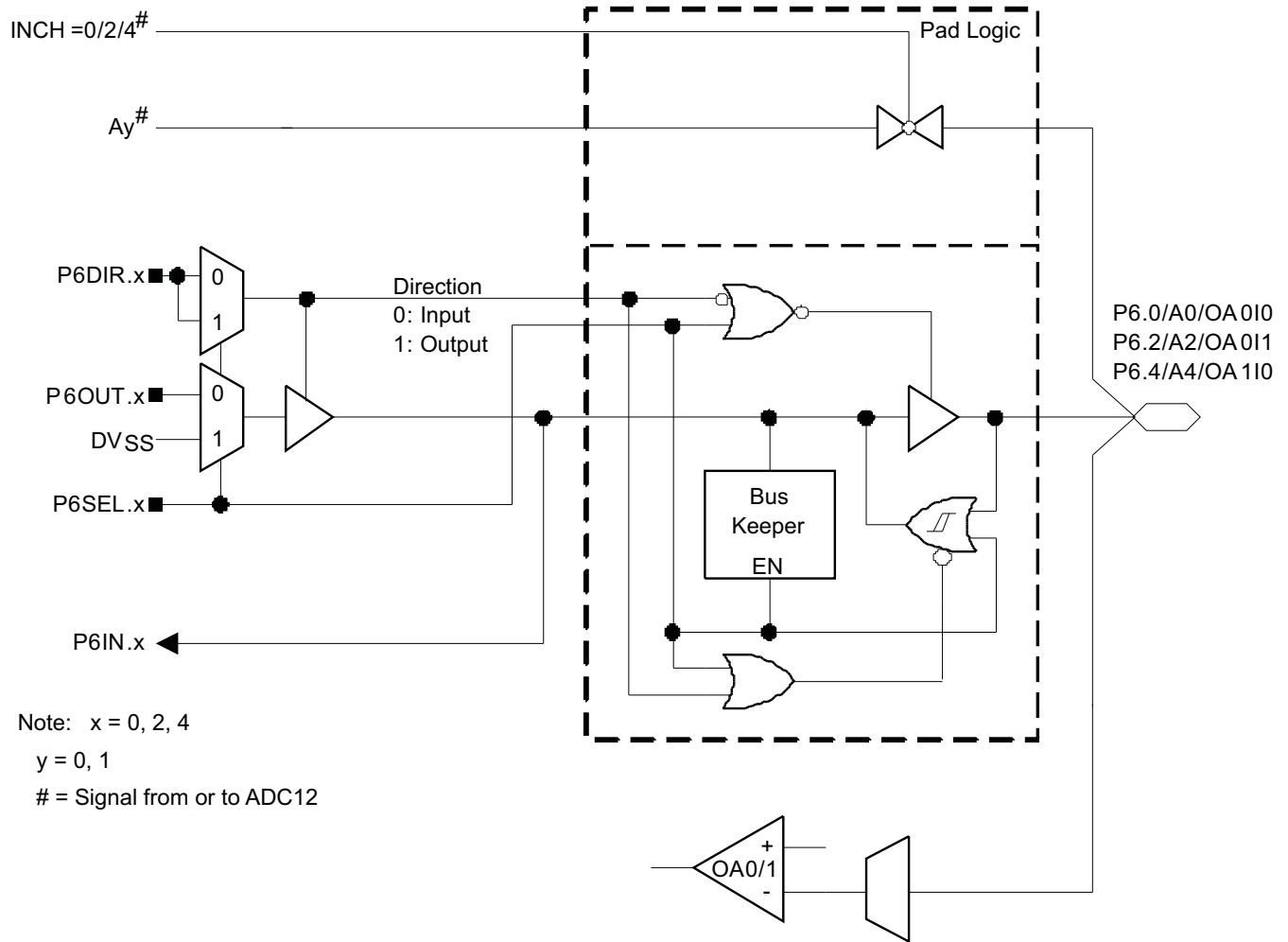
| PIN NAME (P5.x) | x | FUNCTION                     | CONTROL BITS OR SIGNALS <sup>(1)</sup> |         |
|-----------------|---|------------------------------|--|---------|
|                 |   |                              | P5DIR.x                                | P5SEL.x |
| P5.5/R03        | 5 | P5.5 (I/O)                   | I: 0; O: 1                             | 0       |
|                 |   | R03                          | X                                      | 1       |
| P5.6/LCDREF/R13 | 6 | P5.6 (I/O)                   | I: 0; O: 1                             | 0       |
|                 |   | R13 or LCDREF <sup>(2)</sup> | X                                      | 1       |
| P5.7/R03        | 7 | P5.7 (I/O)                   | I: 0; O: 1                             | 0       |
|                 |   | R03                          | X                                      | 1       |

(1) X = don't care

(2) External reference for the LCD\_A charge pump is applied when VLCDREFx = 01. Otherwise R13 is selected.



### 6.10.13 Port P6, P6.0, P6.2, and P6.4, Input/Output With Schmitt Trigger



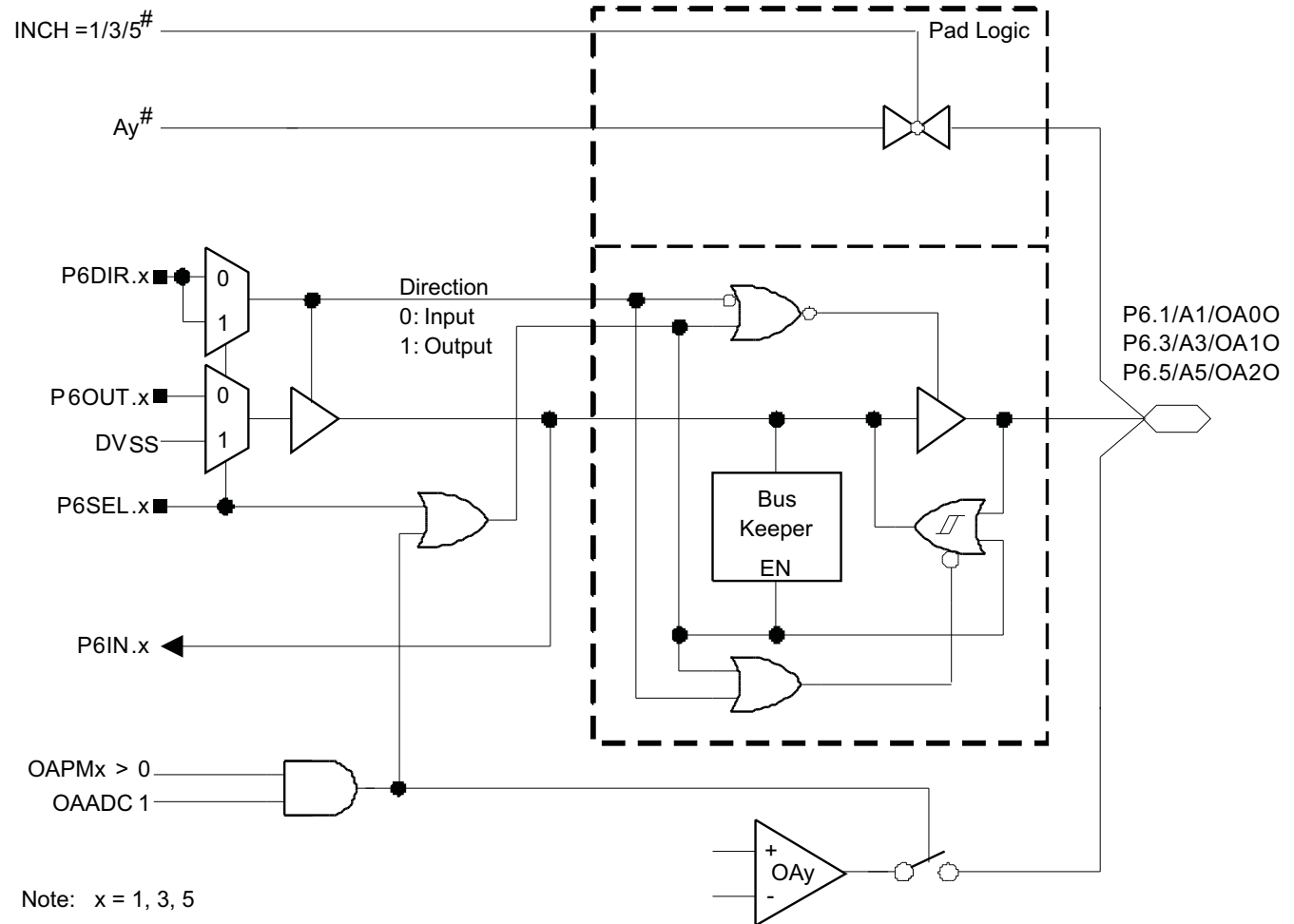
Note: x = 0, 2, 4  
y = 0, 1  
# = Signal from or to ADC12

Table 6-24. Port P6 (P6.0, P6.2, and P6.4) Pin Functions

| PIN NAME (P6.x) | x | FUNCTION          | CONTROL BITS OR SIGNALS <sup>(1)</sup> |         |                          |                          |       |
|-----------------|---|-------------------|--|---------|--------------------------|--------------------------|-------|
|                 |   |                   | P6DIR.x                                | P6SEL.x | OAPx (OA0)<br>OANx (OA0) | OAPx (OA1)<br>OANx (OA1) | INCHx |
| P6.0/A0/OA0I0   | 0 | P6.0 (I/O)        | I: 0; O: 1                             | 0       | X                        | X                        | X     |
|                 |   | OA0I0             | 0                                      | X       | 0                        | X                        | X     |
|                 |   | A0 <sup>(2)</sup> | X                                      | 1       | X                        | X                        | 0     |
| P6.2/A2/OA0I1   | 2 | P6.2 (I/O)        | I: 0; O: 1                             | 0       | X                        | X                        | X     |
|                 |   | OA0I1             | 0                                      | X       | 1                        | X                        | X     |
|                 |   | A2 <sup>(2)</sup> | X                                      | 1       | X                        | X                        | 2     |
| P6.4/A4/OA1I0   | 4 | P6.4 (I/O)        | I: 0; O: 1                             | 0       | X                        | X                        | X     |
|                 |   | OA1I0             | 0                                      | X       | X                        | 0                        | X     |
|                 |   | A4 <sup>(2)</sup> | X                                      | 1       | X                        | X                        | 4     |

(1) X = don't care  
(2) Setting the P6SEL.x bit disables the output driver and the input Schmitt trigger to prevent parasitic cross currents when applying analog signals.

### 6.10.14 Port P6, P6.1, P6.3, and P6.5 Input/Output With Schmitt Trigger



**Table 6-25. Port P6 (P6.1, P6.3, and P6.5) Pin Functions**

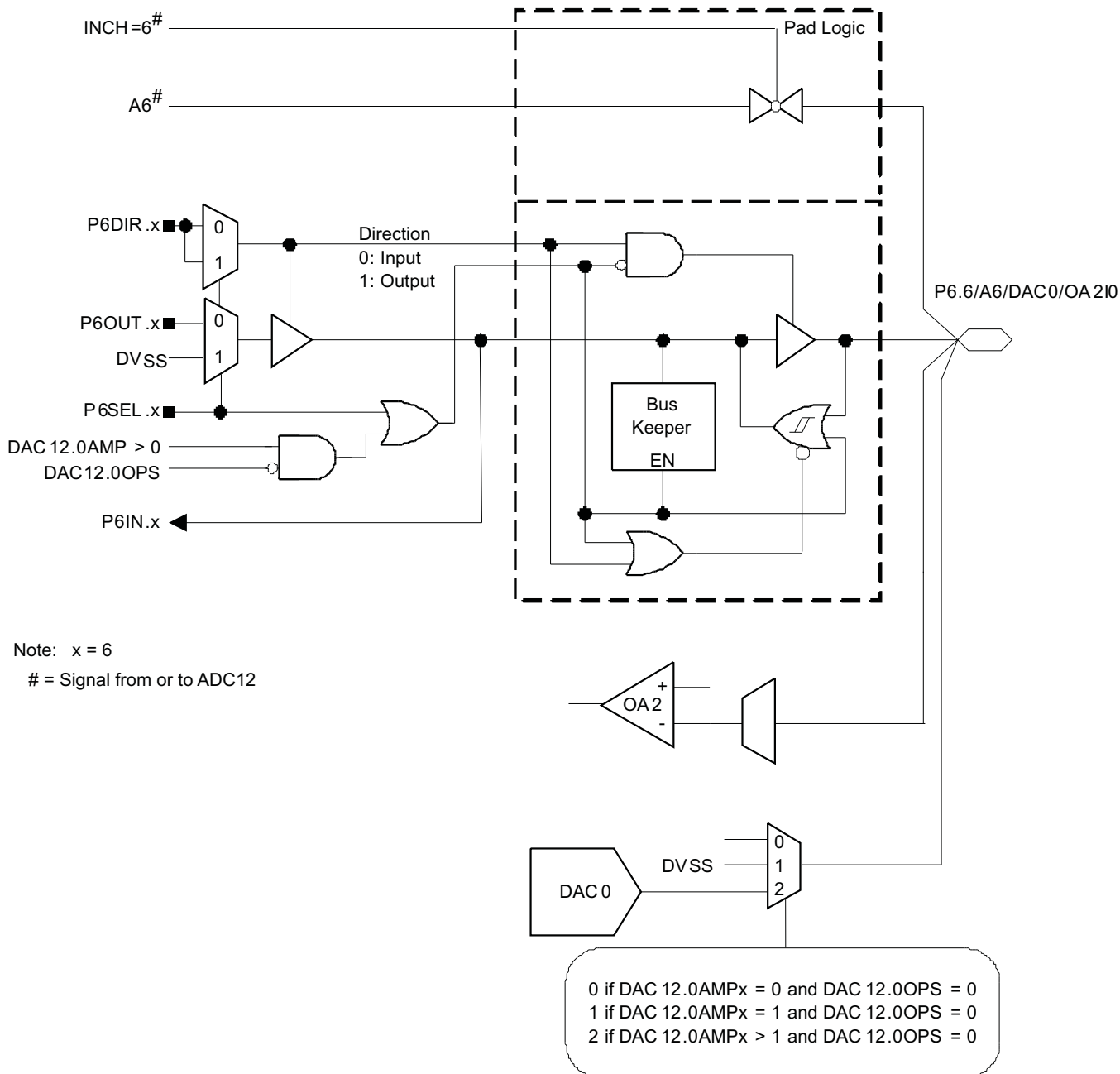
| PIN NAME (P6.x) | x | FUNCTION            | CONTROL BITS OR SIGNALS <sup>(1)</sup> |         |        |       |       |
|-----------------|---|---------------------|--|---------|--------|-------|-------|
|                 |   |                     | P6DIR.x                                | P6SEL.x | OAADC1 | OAPMx | INCHx |
| P6.1/A1/OA00    | 1 | P6.1 (I/O)          | I: 0; O: 1                             | 0       | X      | 0     | X     |
|                 |   | OA00 <sup>(2)</sup> | X                                      | X       | 1      | >0    | X     |
|                 |   | A1 <sup>(3)</sup>   | X                                      | 1       | X      | 0     | 1     |
| P6.3/A3/OA10    | 3 | P6.3 (I/O)          | I: 0; O: 1                             | 0       | X      | 0     | X     |
|                 |   | OA10 <sup>(2)</sup> | X                                      | X       | 1      | >0    | X     |
|                 |   | A3 <sup>(3)</sup>   | X                                      | 1       | X      | 0     | 3     |
| P6.5/A5/OA20    | 5 | P6.5 (I/O)          | I: 0; O: 1                             | 0       | X      | 0     | X     |
|                 |   | OA20 <sup>(2)</sup> | X                                      | X       | 1      | >0    | X     |
|                 |   | A5 <sup>(3)</sup>   | X                                      | 1       | X      | 0     | 5     |

(1) X = don't care

(2) Setting the OAADC1 bit or setting OAFcx = 00 will cause the operational amplifier to be present at the pin as well as internally connected to the corresponding ADC12 input.

(3) Setting the P6SEL.x bit disables the output driver and the input Schmitt trigger to prevent parasitic cross currents when applying analog signals.

### 6.10.15 Port P6, P6.6, Input/Output With Schmitt Trigger



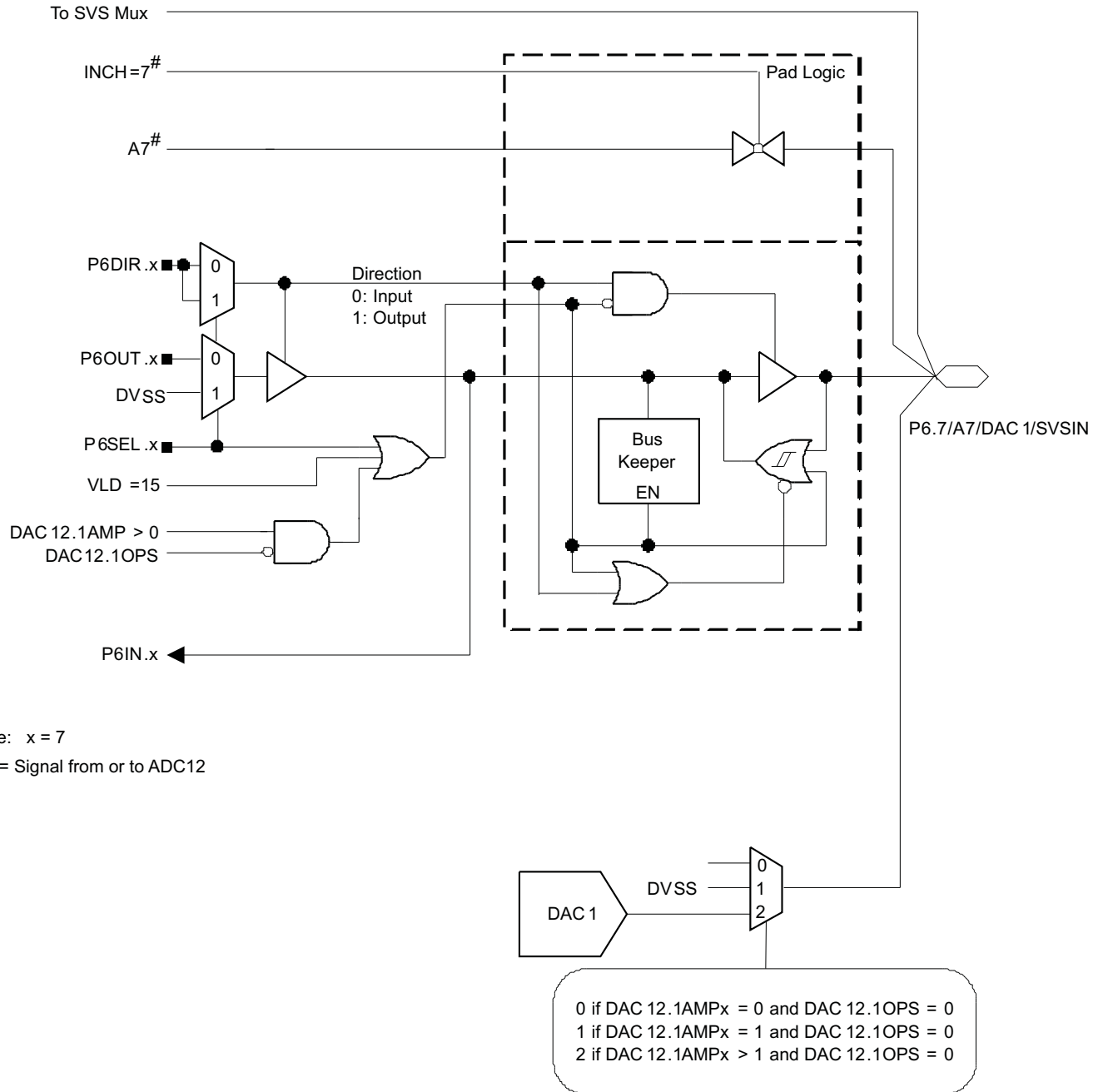
**Table 6-26. Port P6 (P6.6) Pin Functions**

| PIN NAME (P6.x)    | x | FUNCTION            | CONTROL BITS OR SIGNALS <sup>(1)</sup> |         |       |            |             |                          |
|--------------------|---|---------------------|--|---------|-------|------------|-------------|--------------------------|
|                    |   |                     | P6DIR.x                                | P6SEL.x | INCHx | DAC12.0OPS | DAC12.0AMPx | OAPx (OA2)<br>OANx (OA2) |
| P6.6/A6/DAC0/OA2I0 | 6 | P6.6 (I/O)          | I: 0; O: 1                             | 0       | X     | 1          | X           | X                        |
|                    |   | DAC0 high impedance | X                                      | X       | X     | 0          | 0           | X                        |
|                    |   | DVSS                | X                                      | X       | X     | 0          | 1           | X                        |
|                    |   | DAC0 output         | X                                      | X       | X     | 0          | >1          | X                        |
|                    |   | A6 <sup>(2)</sup>   | X                                      | 1       | 6     | X          | X           | X                        |
|                    |   | OA2I0               | 0                                      | X       | 0     | X          | X           | 0                        |

(1) X = don't care

(2) Setting the P6SEL.x bit disables the output driver and the input Schmitt trigger to prevent parasitic cross currents when applying analog signals.

### 6.10.16 Port P6, P6.7, Input/Output With Schmitt Trigger



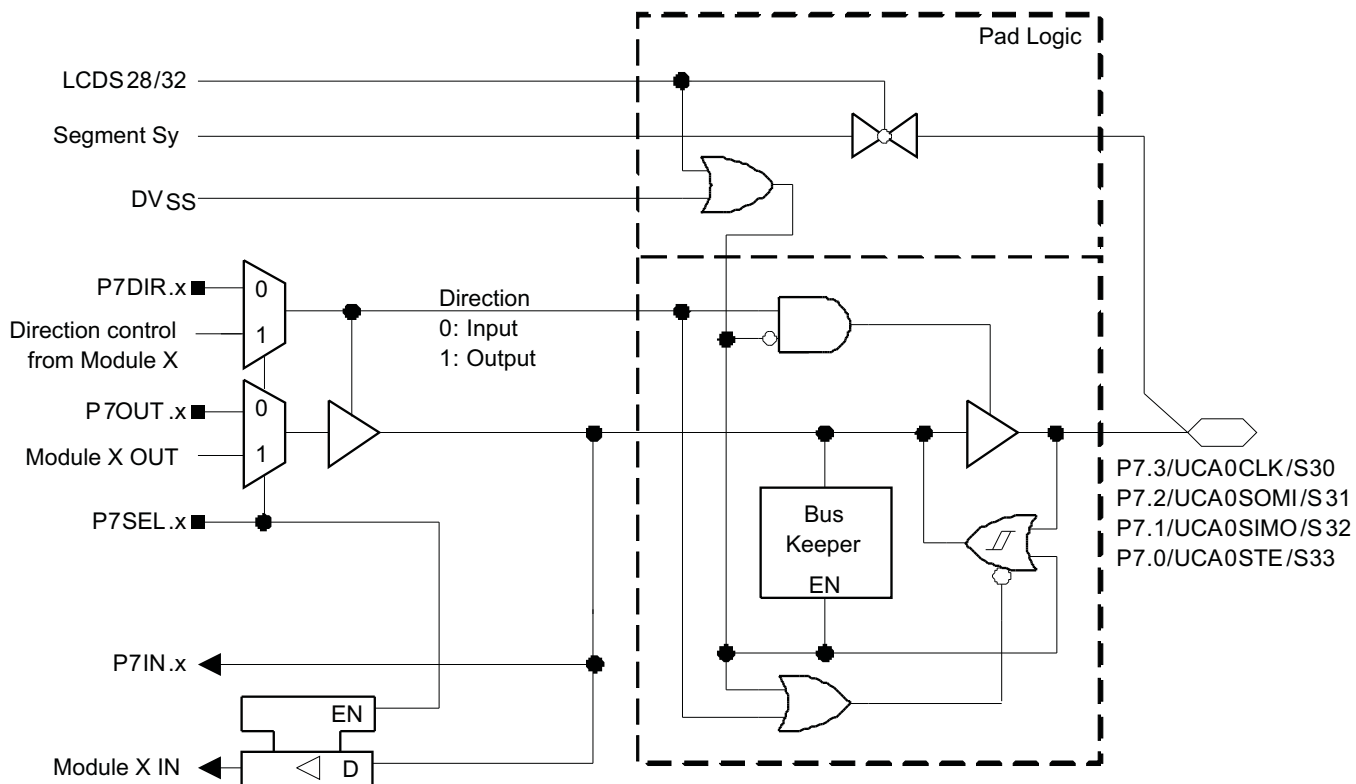
**Table 6-27. Port P6 (P6.7) Pin Functions**

| PIN NAME (P6.x)    | x | FUNCTION             | CONTROL BITS OR SIGNALS <sup>(1)</sup> |         |       |            |             |
|--------------------|---|----------------------|--|---------|-------|------------|-------------|
|                    |   |                      | P6DIR.x                                | P6SEL.x | INCHx | DAC12.1OPS | DAC12.1AMPx |
| P6.7/A7/DAC1/SVSIN | 7 | P6.7 (I/O)           | I: 0; O: 1                             | 0       | X     | 1          | X           |
|                    |   | DAC1 high impedance  | X                                      | X       | X     | 0          | 0           |
|                    |   | DVSS                 | X                                      | X       | X     | 0          | 1           |
|                    |   | DAC1 output          | X                                      | X       | X     | 0          | >1          |
|                    |   | A7 <sup>(2)</sup>    | X                                      | 1       | 7     | X          | X           |
|                    |   | SVSIN <sup>(2)</sup> | 0                                      | 1       | 0     | 1          | X           |

(1) X = don't care

(2) Setting the P6SEL.x bit disables the output driver and the input Schmitt trigger to prevent parasitic cross currents when applying analog signals.

### 6.10.17 Port P7, P7.0 to P7.3, Input/Output With Schmitt Trigger



Note: x = 0, 1, 2, 3  
y = 30, 31, 32, 33

**Table 6-28. Port P7 (P7.0 and P7.1) Pin Functions**

| PIN NAME (P7.x)   | x | FUNCTION                        | CONTROL BITS OR SIGNALS <sup>(1)</sup> |         |        |
|-------------------|---|---------------------------------|--|---------|--------|
|                   |   |                                 | P7DIR.x                                | P7SEL.x | LCDS32 |
| P7.0/UCA0STE/S33  | 0 | P7.0 (I/O)                      | I: 0; O: 1                             | 0       | 0      |
|                   |   | USCI_A0.UCA0STE <sup>(2)</sup>  | X                                      | 1       | 0      |
|                   |   | S33 <sup>(1)</sup>              | X                                      | X       | 1      |
| P7.1/UCA0SIMO/S32 | 1 | P7.1 (I/O)                      | I: 0; O: 1                             | 0       | 0      |
|                   |   | USCI_A0.UCA0SIMO <sup>(2)</sup> | X                                      | 1       | 0      |
|                   |   | S32                             | X                                      | X       | 1      |

(1) X = don't care

(2) The pin direction is controlled by the USCI module.

**Table 6-29. Port P7 (P7.2 and P7.3) Pin Functions**

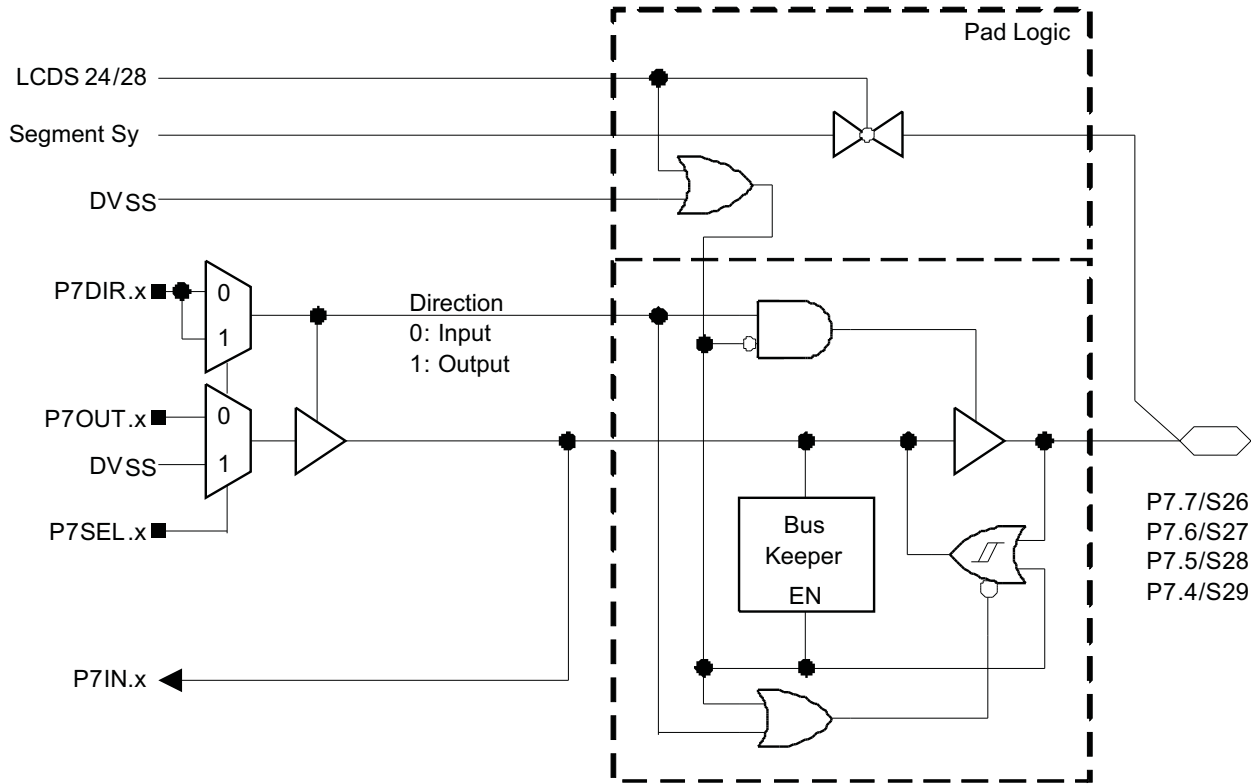
| PIN NAME (P7.x)   | x | FUNCTION                        | CONTROL BITS OR SIGNALS <sup>(1)</sup> |         |        |
|-------------------|---|---------------------------------|--|---------|--------|
|                   |   |                                 | P7DIR.x                                | P7SEL.x | LCDS28 |
| P7.2/UCA0SOMI/S31 | 2 | P7.2 (I/O)                      | I: 0; O: 1                             | 0       | 0      |
|                   |   | USCI_A0.UCA0SOMI <sup>(2)</sup> | X                                      | 1       | 0      |
|                   |   | S31                             | X                                      | X       | 1      |
| P7.3/UCA0CLK/S30  | 3 | P7.3 (I/O)                      | I: 0; O: 1                             | 0       | 0      |
|                   |   | USCI_A0.UCA0CLK <sup>(2)</sup>  | X                                      | 1       | 0      |
|                   |   | S30                             | X                                      | X       | 1      |

(1) X = don't care

(2) The pin direction is controlled by the USCI module.



6.10.18 Port P7, P7.4 to P7.7, Input/Output With Schmitt Trigger



Note: x = 4, 5, 6, 7  
y = 26, 27, 28, 29

Table 6-30. Port P7 (P7.4 and P7.5) Pin Functions

| PIN NAME (P7.x) | x | FUNCTION   | CONTROL BITS OR SIGNALS <sup>(1)</sup> |         |        |
|-----------------|---|------------|--|---------|--------|
|                 |   |            | P7DIR.x                                | P7SEL.x | LCDS28 |
| P7.4/S29        | 4 | P7.4 (I/O) | I: 0; O: 1                             | 0       | 0      |
|                 |   | S29        | X                                      | X       | 1      |
| P7.5/S28        | 5 | P7.5 (I/O) | I: 0; O: 1                             | 0       | 0      |
|                 |   | S28        | X                                      | X       | 1      |

(1) X = don't care

Table 6-31. Port P7 (P7.6 and P7.7) Pin Functions

| PIN NAME (P7.x) | x | FUNCTION   | CONTROL BITS OR SIGNALS <sup>(1)</sup> |         |        |
|-----------------|---|------------|--|---------|--------|
|                 |   |            | P7DIR.x                                | P7SEL.x | LCDS24 |
| P7.6/S27        | 6 | P7.6 (I/O) | I: 0; O: 1                             | 0       | 0      |
|                 |   | S27        | X                                      | X       | 1      |
| P7.7/S26        | 7 | P7.7 (I/O) | I: 0; O: 1                             | 0       | 0      |
|                 |   | S26        | X                                      | X       | 1      |

(1) X = don't care

### 6.10.19 Port P8, P8.0 to P8.7, Input/Output With Schmitt Trigger

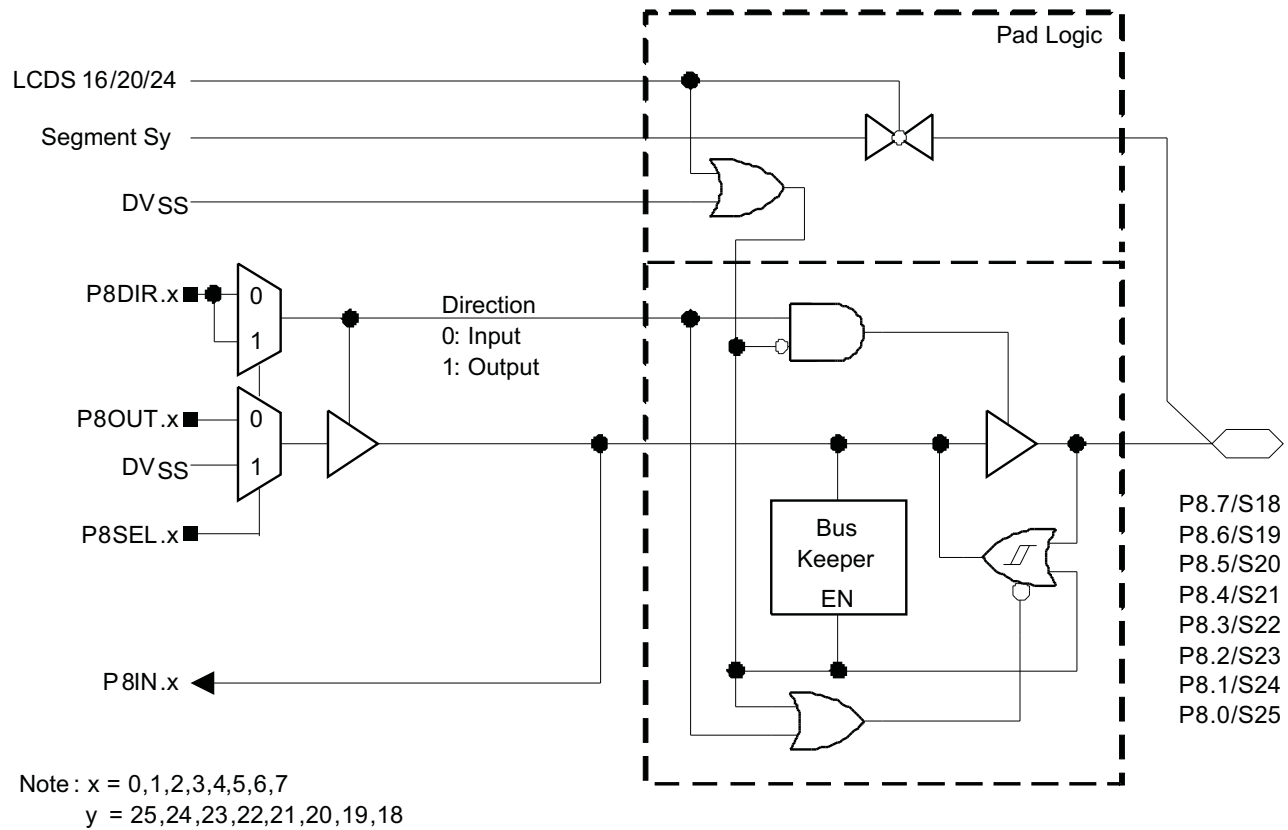


Table 6-32. Port P8 (P8.0 and P8.1) Pin Functions

| PIN NAME (P8.x) | x | FUNCTION   | CONTROL BITS OR SIGNALS <sup>(1)</sup> |         |        |
|-----------------|---|------------|--|---------|--------|
|                 |   |            | P8DIR.x                                | P8SEL.x | LCDS16 |
| P8.0/S18        | 0 | P8.0 (I/O) | I: 0; O: 1                             | 0       | 0      |
|                 |   | S18        | X                                      | X       | 1      |
| P8.1/S19        | 0 | P8.0 (I/O) | I: 0; O: 1                             | 0       | 0      |
|                 |   | S19        | X                                      | X       | 1      |

(1) X = don't care

Table 6-33. Port P8 (P8.2 to P8.5) Pin Functions

| PIN NAME (P8.x) | x | FUNCTION   | CONTROL BITS OR SIGNALS <sup>(1)</sup> |         |        |
|-----------------|---|------------|--|---------|--------|
|                 |   |            | P8DIR.x                                | P8SEL.x | LCDS20 |
| P8.2/S20        | 2 | P8.2 (I/O) | I: 0; O: 1                             | 0       | 0      |
|                 |   | S20        | X                                      | X       | 1      |
| P8.3/S21        | 3 | P8.3 (I/O) | I: 0; O: 1                             | 0       | 0      |
|                 |   | S21        | X                                      | X       | 1      |
| P8.4/S22        | 4 | P8.4 (I/O) | I: 0; O: 1                             | 0       | 0      |
|                 |   | S22        | X                                      | X       | 1      |
| P8.5/S23        | 5 | P8.5 (I/O) | I: 0; O: 1                             | 0       | 0      |
|                 |   | S23        | X                                      | X       | 1      |

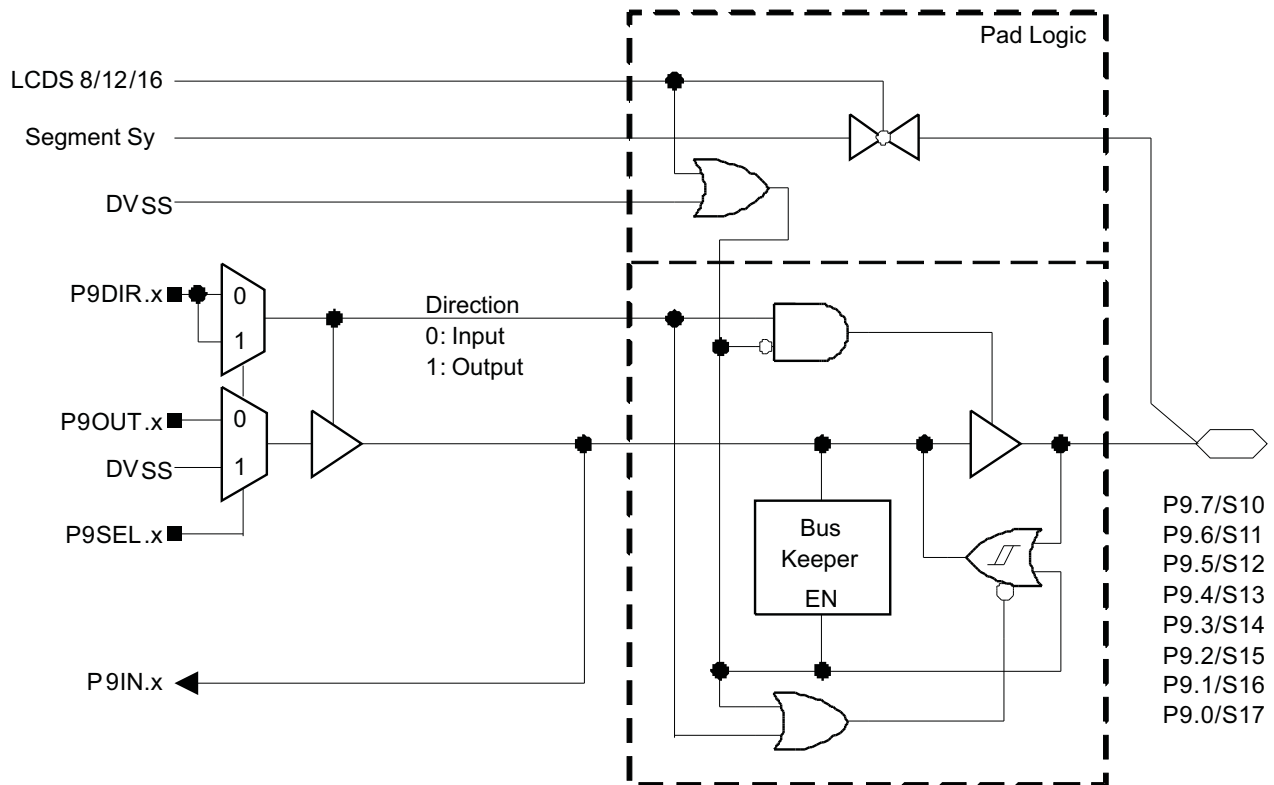
(1) X = don't care

**Table 6-34. Port P8 (P8.6 and P8.7) Pin Functions**

| PIN NAME (P8.x) | X | FUNCTION   | CONTROL BITS OR SIGNALS <sup>(1)</sup> |         |        |
|-----------------|---|------------|--|---------|--------|
|                 |   |            | P8DIR.x                                | P8SEL.x | LCDS24 |
| P8.6/S24        | 6 | P8.6 (I/O) | I: 0; O: 1                             | 0       | 0      |
|                 |   | S24        | X                                      | X       | 1      |
| P8.7/S25        | 7 | P8.7 (I/O) | I: 0; O: 1                             | 0       | 0      |
|                 |   | S25        | X                                      | X       | 1      |

(1) X = don't care

### 6.10.20 Port P9, P9.0 to P9.7, Input/Output With Schmitt Trigger



Note : x = 0,1,2,3,4,5,6,7  
y = 17,16,15,14,13,12,11,10

**Table 6-35. Port P9 (P9.0 and P9.1) Pin Functions**

| PIN NAME (P9.x) | x | FUNCTION   | CONTROL BITS OR SIGNALS <sup>(1)</sup> |         |        |
|-----------------|---|------------|--|---------|--------|
|                 |   |            | P9DIR.x                                | P9SEL.x | LCDS16 |
| P9.0/S17        | 0 | P9.0 (I/O) | I: 0; O: 1                             | 0       | 0      |
|                 |   | S17        | X                                      | X       | 1      |
| P9.1/S16        | 1 | P9.1 (I/O) | I: 0; O: 1                             | 0       | 0      |
|                 |   | S16        | X                                      | X       | 1      |

(1) X = don't care

**Table 6-36. Port P9 (P9.2 to P9.5) Pin Functions**

| PIN NAME (P9.x) | x | FUNCTION   | CONTROL BITS OR SIGNALS <sup>(1)</sup> |         |        |
|-----------------|---|------------|--|---------|--------|
|                 |   |            | P9DIR.x                                | P9SEL.x | LCDS12 |
| P9.2/S15        | 2 | P9.2 (I/O) | I: 0; O: 1                             | 0       | 0      |
|                 |   | S15        | X                                      | X       | 1      |
| P9.3/S14        | 3 | P9.3 (I/O) | I: 0; O: 1                             | 0       | 0      |
|                 |   | S14        | X                                      | X       | 1      |
| P9.4/S13        | 4 | P9.4 (I/O) | I: 0; O: 1                             | 0       | 0      |
|                 |   | S13        | X                                      | X       | 1      |
| P9.5/S12        | 5 | P9.5 (I/O) | I: 0; O: 1                             | 0       | 0      |
|                 |   | S12        | X                                      | X       | 1      |

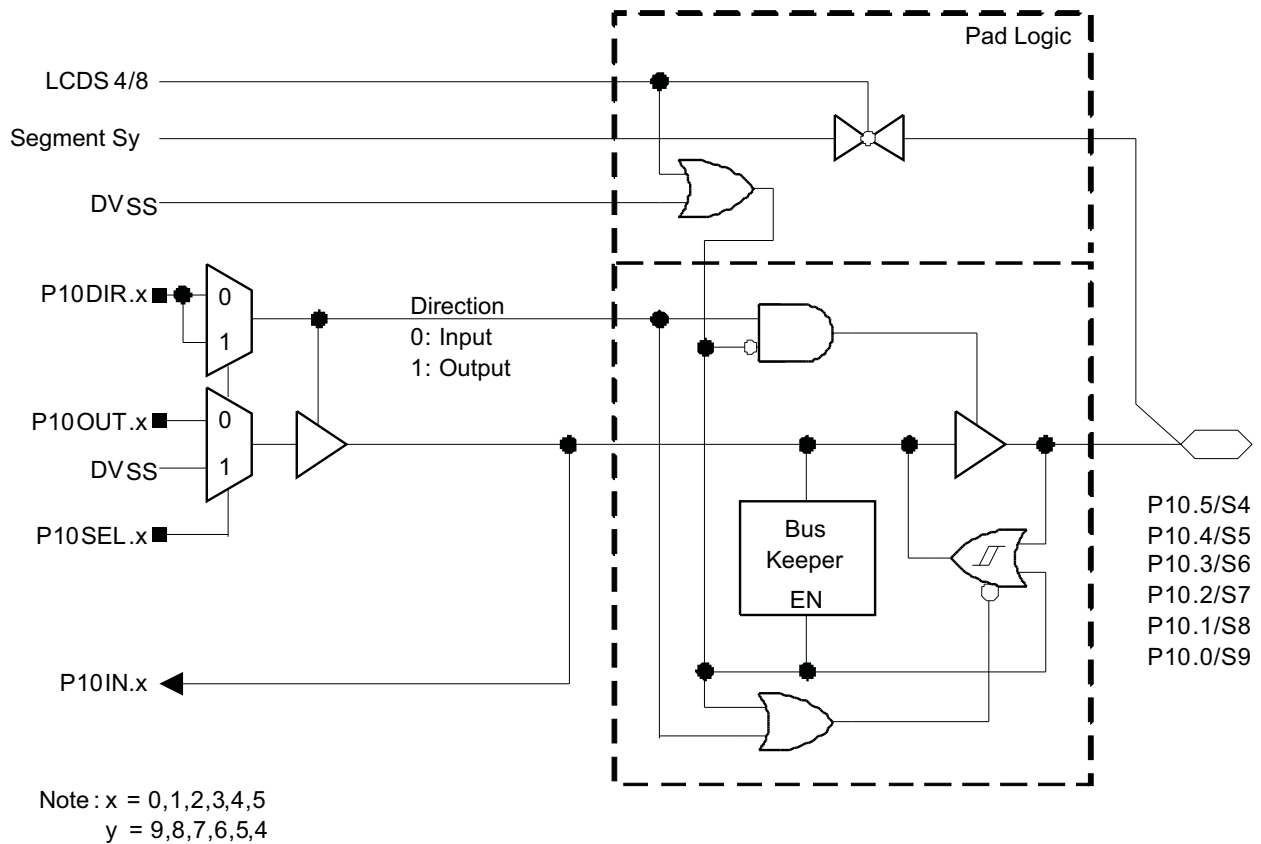
(1) X = don't care

**Table 6-37. Port P9 (P9.6 and P9.7) Pin Functions**

| PIN NAME (P9.x) | x | FUNCTION   | CONTROL BITS OR SIGNALS <sup>(1)</sup> |         |       |
|-----------------|---|------------|--|---------|-------|
|                 |   |            | P9DIR.x                                | P9SEL.x | LCDS8 |
| P9.6/S11        | 6 | P9.6 (I/O) | I: 0; O: 1                             | 0       | 0     |
|                 |   | S11        | X                                      | X       | 1     |
| P9.7/S10        | 7 | P9.7 (I/O) | I: 0; O: 1                             | 0       | 0     |
|                 |   | S10        | X                                      | X       | 1     |

(1) X = don't care

### 6.10.21 Port P10, P10.0 to P10.5, Input/Output With Schmitt Trigger



**Table 6-38. Port P10 (P10.0 and P10.1) Pin Functions**

| PIN NAME (P10.x) | x | FUNCTION    | CONTROL BITS OR SIGNALS <sup>(1)</sup> |          |       |
|------------------|---|-------------|--|----------|-------|
|                  |   |             | P10DIR.x                               | P10SEL.x | LCDS8 |
| P10.0/S9         | 0 | P10.0 (I/O) | I: 0; O: 1                             | 0        | 0     |
|                  |   | S9          | X                                      | X        | 1     |
| P10.1/S8         | 1 | P10.1 (I/O) | I: 0; O: 1                             | 0        | 0     |
|                  |   | S8          | X                                      | X        | 1     |

(1) X = don't care

**Table 6-39. Port P10 (P10.2 to P10.5) Pin Functions**

| PIN NAME (P10.x) | x | FUNCTION    | CONTROL BITS OR SIGNALS <sup>(1)</sup> |          |       |
|------------------|---|-------------|--|----------|-------|
|                  |   |             | P10DIR.x                               | P10SEL.x | LCDS4 |
| P10.2/S7         | 2 | P10.2 (I/O) | I: 0; O: 1                             | 0        | 0     |
|                  |   | S7          | X                                      | X        | 1     |
| P10.3/S6         | 3 | P10.3 (I/O) | I: 0; O: 1                             | 0        | 0     |
|                  |   | S6          | X                                      | X        | 1     |
| P10.4/S5         | 4 | P10.4 (I/O) | I: 0; O: 1                             | 0        | 0     |
|                  |   | S5          | X                                      | X        | 1     |
| P10.5/S4         | 5 | P10.5 (I/O) | I: 0; O: 1                             | 0        | 0     |
|                  |   | S4          | X                                      | X        | 1     |

(1) X = don't care

### 6.10.22 Port P10, P10.6, Input/Output With Schmitt Trigger

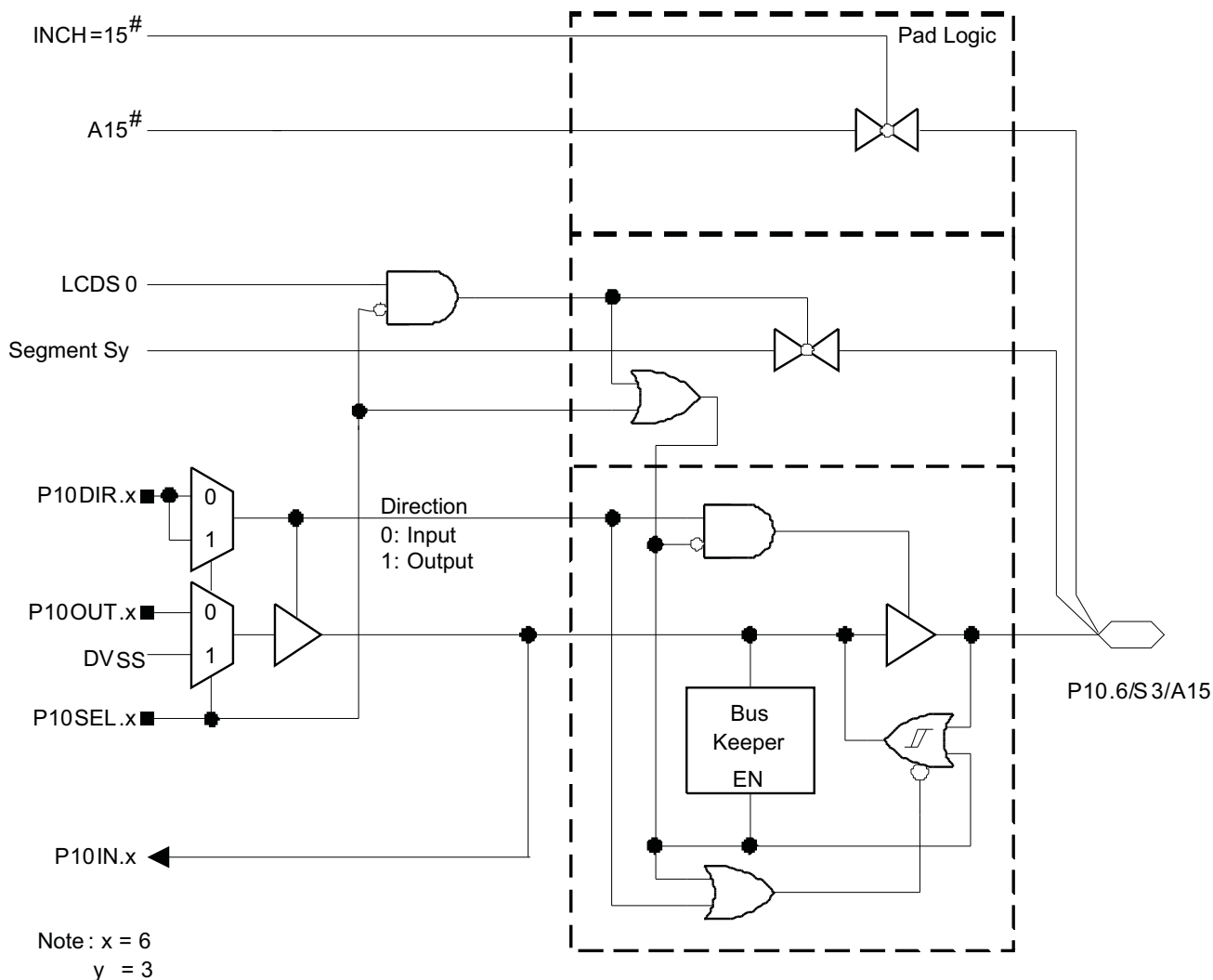


Table 6-40. Port P10 (P10.6) Pin Functions

| PIN NAME (P10.x) | x | FUNCTION           | CONTROL BITS OR SIGNALS <sup>(1)</sup> |          |       |       |
|------------------|---|--------------------|--|----------|-------|-------|
|                  |   |                    | P10DIR.x                               | P10SEL.x | INCHx | LCDS0 |
| P10.6/S3/A15     | 6 | P5.0 (I/O)         | I: 0; O: 1                             | 0        | X     | 0     |
|                  |   | A15 <sup>(2)</sup> | X                                      | 1        | 15    | 0     |
|                  |   | S3 enabled         | X                                      | 0        | X     | 1     |
|                  |   | S3 disabled        | X                                      | 1        | X     | 1     |

(1) X = don't care

(2) Setting the P10SEL.x bit disables the output driver and the input Schmitt trigger to prevent parasitic cross currents when applying analog signals.

### 6.10.23 Port P10, P10.7, Input/Output With Schmitt Trigger

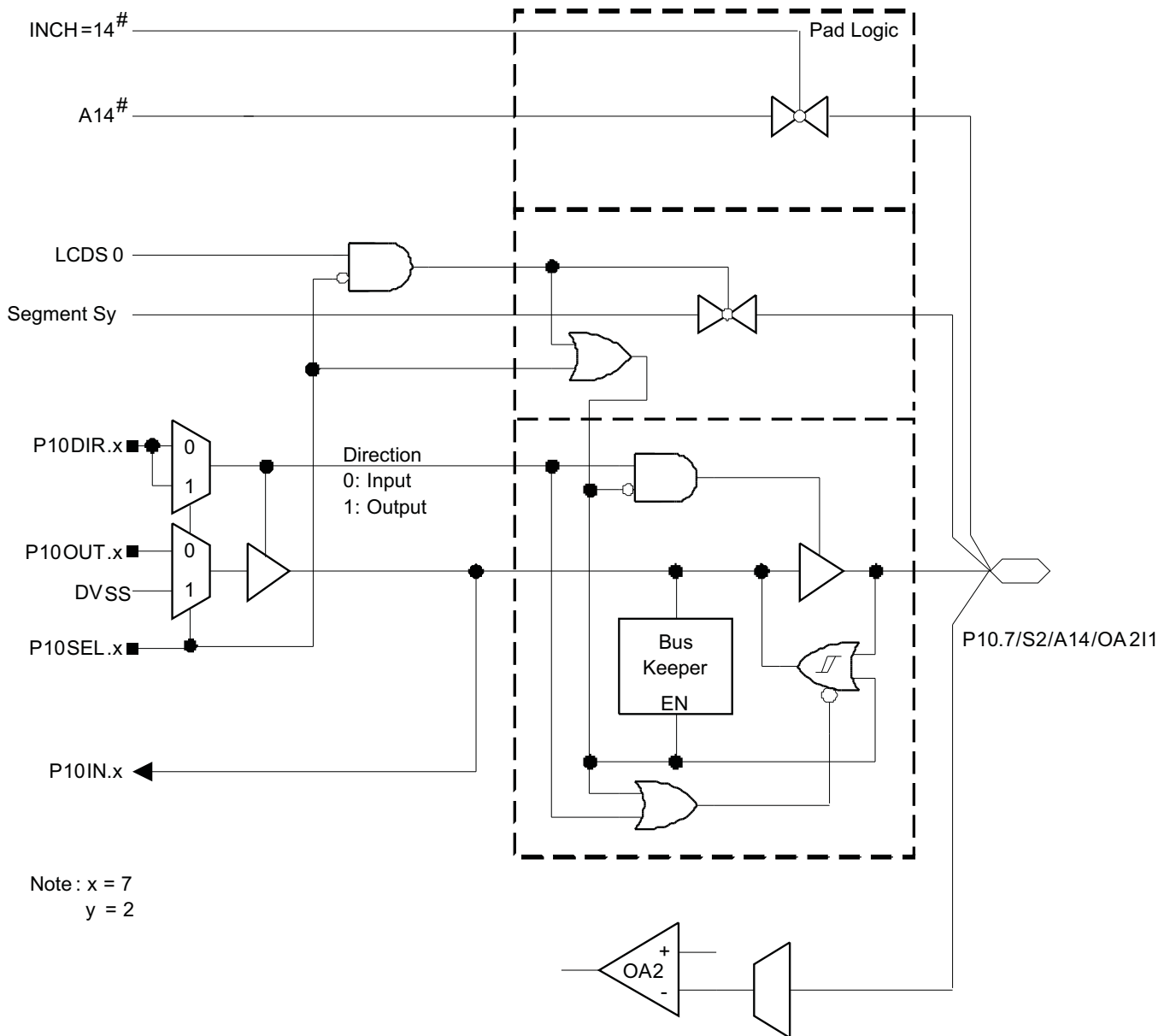


Table 6-41. Port P10 (P10.7) Pin Functions

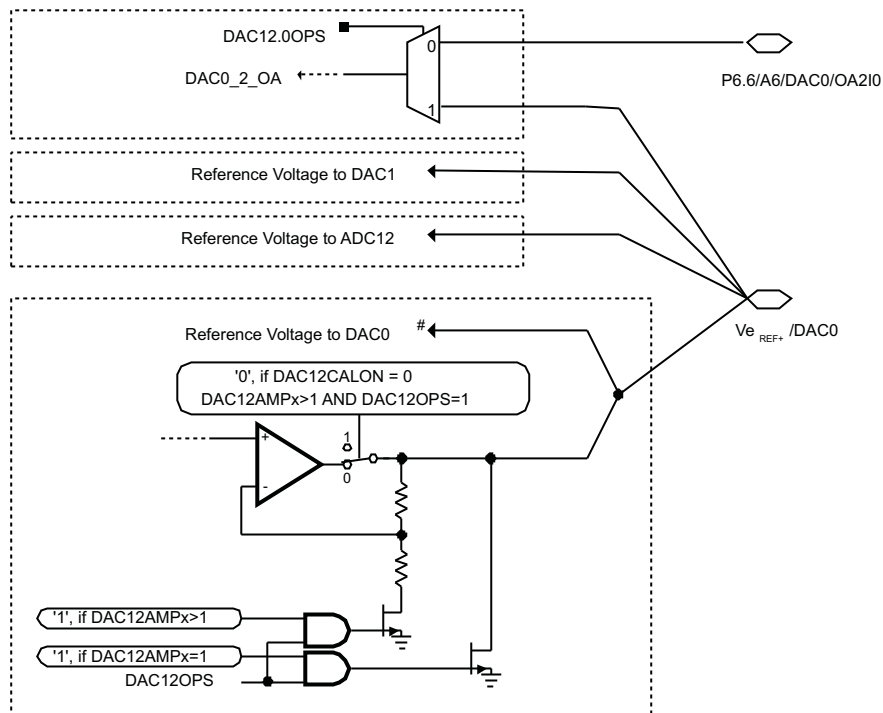
| PIN NAME (P10.x)   | x | FUNCTION             | CONTROL BITS OR SIGNALS <sup>(1)</sup> |          |       |                          |       |
|--------------------|---|----------------------|--|----------|-------|--------------------------|-------|
|                    |   |                      | P10DIR.x                               | P10SEL.x | INCHx | OAPx (OA1)<br>OANx (OA1) | LCDS0 |
| P10.7/S2/A14/OA211 | 7 | P10.7(I/O)           | I: 0; O: 1                             | 0        | X     | X                        | 0     |
|                    |   | A14 <sup>(2)</sup>   | X                                      | 1        | 14    | X                        | 0     |
|                    |   | OA2I1 <sup>(2)</sup> | 0                                      | X        | X     | 1                        | 0     |
|                    |   | S2 enabled           | X                                      | 0        | X     | X                        | 1     |
|                    |   | S2 disabled          | X                                      | 1        | X     | X                        | 1     |

(1) X = don't care

(2) Setting the P10SEL.x bit disables the output driver and the input Schmitt trigger to prevent parasitic cross currents when applying analog signals.

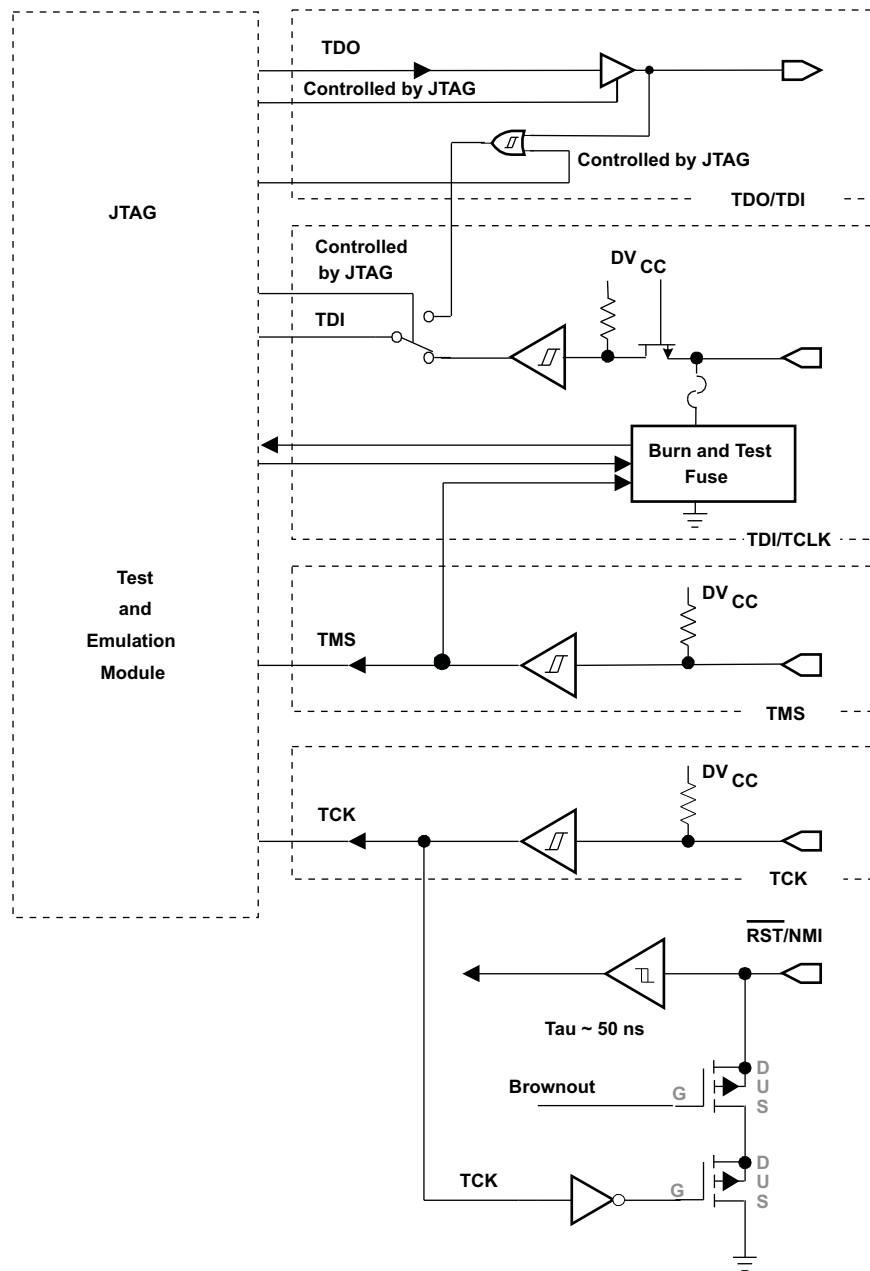


### 6.10.24 $V_{e_{REF+}/DAC0}$



# If the reference of  $DAC0$  is taken from pin  $V_{e_{REF+}/DAC0}$ , unpredictable voltage levels will be on pin. In this situation, the  $DAC0$  output is fed back to its own reference input.

### 6.10.25 JTAG Pins TMS, TCK, TDI/TCLK, TDO/TDI, Input/Output With Schmitt Trigger or Output



### 6.10.26 JTAG Fuse Check Mode

Devices that have the fuse on the TDI/TCLK terminal have a fuse check mode that tests the continuity of the fuse the first time the JTAG port is accessed after a power-on reset (POR). When activated, a fuse check current ( $I_{(TF)}$ ) of 1 mA at 3 V can flow from the TDI/TCLK pin to ground if the fuse is not burned. Care must be taken to avoid accidentally activating the fuse check mode and increasing overall system power consumption.

Activation of the fuse check mode occurs with the first negative edge on the TMS pin after power up or if the TMS is being held low during power up. The second positive edge on the TMS pin deactivates the fuse check mode. After deactivation, the fuse check mode remains inactive until another POR occurs. After each POR the fuse check mode has the potential to be activated.

The fuse check current only flows when the fuse check mode is active and the TMS pin is in a low state (see Figure 6-1). Therefore, the additional current flow can be prevented by holding the TMS pin high (default condition). The JTAG pins are terminated internally and therefore do not require external termination.

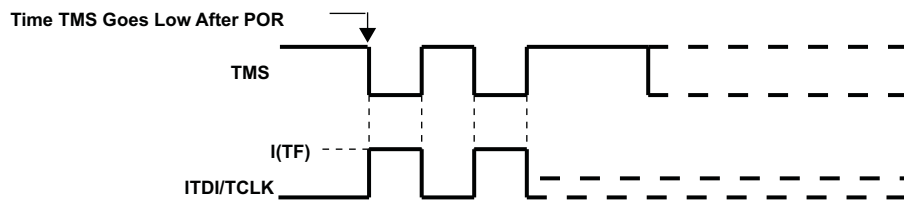


Figure 6-1. Fuse Check Mode Current

## 7 Device and Documentation Support

### 7.1 Device Support

#### 7.1.1 Getting Started and Next Steps

For more information on the MSP430F4x family of devices and the tools and libraries that are available to help with your development, visit the [Getting Started](#) page.

#### 7.1.2 Development Tools Support

All MSP430™ microcontrollers are supported by a wide variety of software and hardware development tools. Tools are available from TI and various third parties. See them all at [www.ti.com/msp430tools](http://www.ti.com/msp430tools).

##### 7.1.2.1 Hardware Features

See the *Composer Studio for MSP430 User's Guide* ([SLAU157](#)) for details on the available features.

| MSP430 Architecture | 4-Wire JTAG | 2-Wire JTAG | Break-points (N) | Range Break-points | Clock Control | State Sequencer | Trace Buffer | LPMx.5 Debugging Support |
|---------------------|-------------|-------------|------------------|--------------------|---------------|-----------------|--------------|--------------------------|
| MSP430              | Yes         | No          | 2                | No                 | Yes           | No              | No           | No                       |

##### 7.1.2.2 Recommended Hardware Options

###### 7.1.2.2.1 Target Socket Boards

The target socket boards allow easy programming and debugging of the device using JTAG. They also feature header pin outs for prototyping. Target socket boards are orderable individually or as a kit with the JTAG programmer and debugger included. The following table shows the compatible target boards and the supported packages.

| Package           | Target Board and Programmer Bundle | Target Board Only              |
|-------------------|------------------------------------|--------------------------------|
| 100-pin LQFP (PZ) | <a href="#">MSP-FET430U100</a>     | <a href="#">MSP-TS430PZ100</a> |

###### 7.1.2.2.2 Experimenter Boards

Experimenter Boards and Evaluation kits are available for some MSP430 devices. These kits feature additional hardware components and connectivity for full system evaluation and prototyping. See [www.ti.com/msp430tools](http://www.ti.com/msp430tools) for details.

###### 7.1.2.2.3 Debugging and Programming Tools

Hardware programming and debugging tools are available from TI and from its third party suppliers. See the full list of available tools at [www.ti.com/msp430tools](http://www.ti.com/msp430tools).

###### 7.1.2.2.4 Production Programmers

The production programmers expedite loading firmware to devices by programming several devices simultaneously.

| Part Number              | PC Port        | Features  | Provider          |
|--------------------------|----------------|---|-------------------|
| <a href="#">MSP-GANG</a> | Serial and USB | Program up to eight devices at a time. Works with PC or standalone. | Texas Instruments |

##### 7.1.2.3 Recommended Software Options

###### 7.1.2.3.1 Integrated Development Environments

Software development tools are available from TI or from third parties. Open source solutions are also available.

This device is supported by Code Composer Studio™ IDE (CCS).

### 7.1.2.3.2 *MSP430Ware*

[MSP430Ware](#) is a collection of code examples, data sheets, and other design resources for all MSP430 devices delivered in a convenient package. In addition to providing a complete collection of existing MSP430 design resources, MSP430Ware also includes a high-level API called MSP430 Driver Library. This library makes it easy to program MSP430 hardware. MSP430Ware is available as a component of CCS or as a standalone package.

### 7.1.2.3.3 *Command-Line Programmer*

[MSP430 Flasher](#) is an open-source shell-based interface for programming MSP430 microcontrollers through a FET programmer or eZ430 using JTAG or Spy-Bi-Wire (SBW) communication. MSP430 Flasher can be used to download binary files (.txt or .hex) files directly to the MSP430 microcontroller without the need for an IDE.

## 7.1.3 *Device and Development Tool Nomenclature*

To designate the stages in the product development cycle, TI assigns prefixes to the part numbers of all MSP430 MCU devices and support tools. Each MSP430 MCU commercial family member has one of three prefixes: MSP, PMS, or XMS (for example, MSP430F5438A). TI recommends two of three possible prefix designators for its support tools: MSP and MSPX. These prefixes represent evolutionary stages of product development from engineering prototypes (with XMS for devices and MSPX for tools) through fully qualified production devices and tools (with MSP for devices and MSP for tools).

Device development evolutionary flow:

**XMS** – Experimental device that is not necessarily representative of the electrical specifications for the final device

**PMS** – Final silicon die that conforms to the electrical specifications for the device but has not completed quality and reliability verification

**MSP** – Fully qualified production device

Support tool development evolutionary flow:

**MSPX** – Development-support product that has not yet completed TI's internal qualification testing.

**MSP** – Fully-qualified development-support product

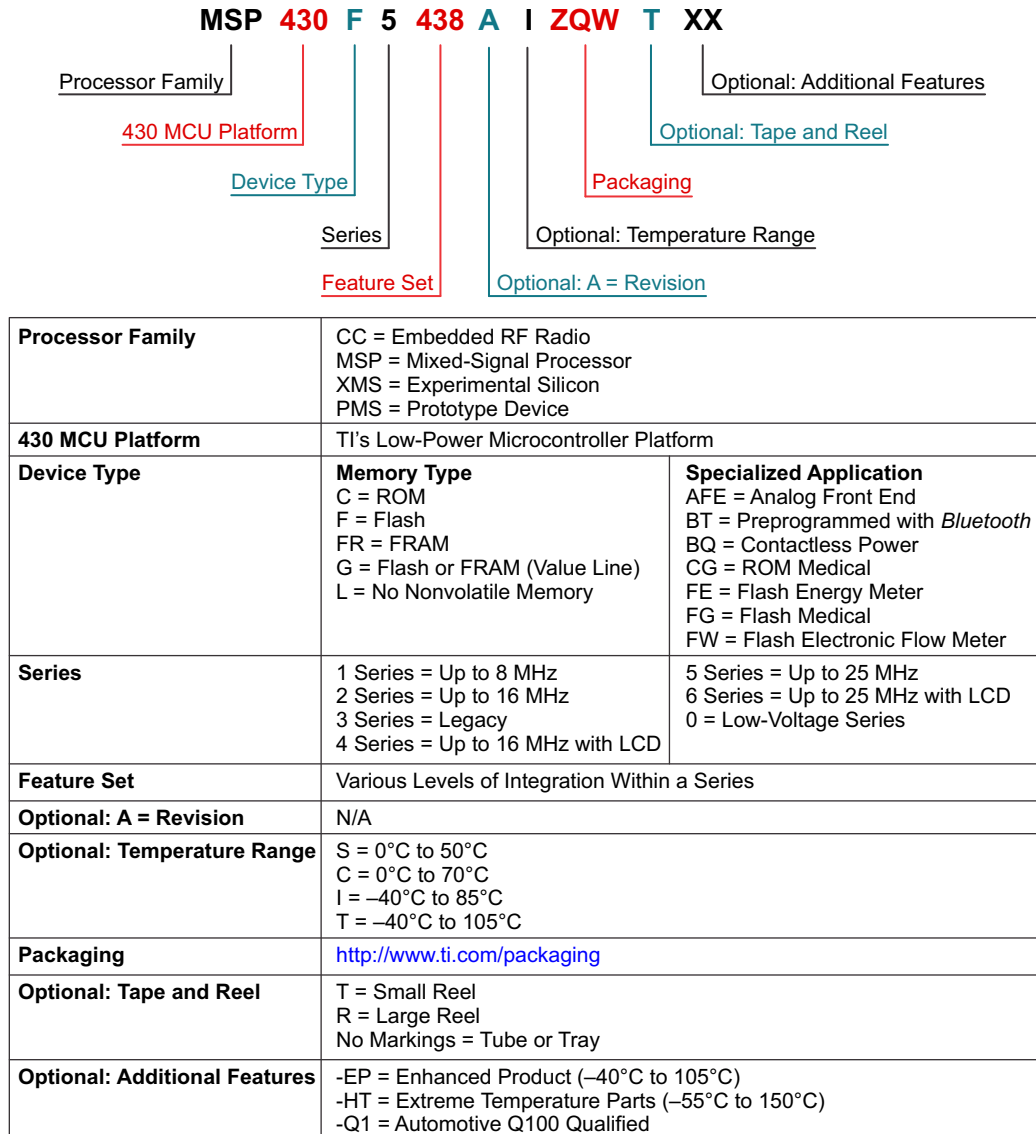
XMS and PMS devices and MSPX development-support tools are shipped against the following disclaimer:

"Developmental product is intended for internal evaluation purposes."

MSP devices and MSP development-support tools have been characterized fully, and the quality and reliability of the device have been demonstrated fully. TI's standard warranty applies.

Predictions show that prototype devices (XMS and PMS) have a greater failure rate than the standard production devices. TI recommends that these devices not be used in any production system because their expected end-use failure rate still is undefined. Only qualified production devices are to be used.

TI device nomenclature also includes a suffix with the device family name. This suffix indicates the package type (for example, PZP) and temperature range (for example, T). [Figure 7-1](#) provides a legend for reading the complete device name for any family member.



**Figure 7-1. Device Nomenclature**

## 7.2 Documentation Support

The following documents describe the MSP430FG461x and MSP430CG461x devices. Copies of these documents are available on the Internet at [www.ti.com](http://www.ti.com).

- [SLAU056](#) **MSP430F4xx Family User's Guide.** Detailed information on the modules and peripherals available in this device family.
- [SLAZ369](#) **MSP430FG4619 Device Erratasheet.** Describes the known exceptions to the functional specifications for all silicon revisions of the device.
- [SLAZ368](#) **MSP430FG4618 Device Erratasheet.** Describes the known exceptions to the functional specifications for all silicon revisions of the device.
- [SLAZ367](#) **MSP430FG4617 Device Erratasheet.** Describes the known exceptions to the functional specifications for all silicon revisions of the device.
- [SLAZ366](#) **MSP430FG4616 Device Erratasheet.** Describes the known exceptions to the functional specifications for all silicon revisions of the device.
- [SLAZ123](#) **MSP430CG4619 Device Erratasheet.** Describes the known exceptions to the functional specifications for all silicon revisions of the device.
- [SLAZ122](#) **MSP430CG4618 Device Erratasheet.** Describes the known exceptions to the functional specifications for all silicon revisions of the device.
- [SLAZ121](#) **MSP430CG4617 Device Erratasheet.** Describes the known exceptions to the functional specifications for all silicon revisions of the device.
- [SLAZ120](#) **MSP430CG4616 Device Erratasheet.** Describes the known exceptions to the functional specifications for all silicon revisions of the device.

## 7.3 Related Links

Table 7-1 lists quick access links. Categories include technical documents, support and community resources, tools and software, and quick access to sample or buy.

**Table 7-1. Related Links**

| PARTS        | PRODUCT FOLDER             | SAMPLE & BUY               | TECHNICAL DOCUMENTS        | TOOLS & SOFTWARE           | SUPPORT & COMMUNITY        |
|--------------|----------------------------|----------------------------|----------------------------|----------------------------|----------------------------|
| MSP430FG4619 | <a href="#">Click here</a> | <a href="#">Click here</a> | <a href="#">Click here</a> | <a href="#">Click here</a> | <a href="#">Click here</a> |
| MSP430FG4618 | <a href="#">Click here</a> | <a href="#">Click here</a> | <a href="#">Click here</a> | <a href="#">Click here</a> | <a href="#">Click here</a> |
| MSP430FG4617 | <a href="#">Click here</a> | <a href="#">Click here</a> | <a href="#">Click here</a> | <a href="#">Click here</a> | <a href="#">Click here</a> |
| MSP430FG4616 | <a href="#">Click here</a> | <a href="#">Click here</a> | <a href="#">Click here</a> | <a href="#">Click here</a> | <a href="#">Click here</a> |
| MSP430CG4619 | <a href="#">Click here</a> | <a href="#">Click here</a> | <a href="#">Click here</a> | <a href="#">Click here</a> | <a href="#">Click here</a> |
| MSP430CG4618 | <a href="#">Click here</a> | <a href="#">Click here</a> | <a href="#">Click here</a> | <a href="#">Click here</a> | <a href="#">Click here</a> |
| MSP430CG4617 | <a href="#">Click here</a> | <a href="#">Click here</a> | <a href="#">Click here</a> | <a href="#">Click here</a> | <a href="#">Click here</a> |
| MSP430CG4616 | <a href="#">Click here</a> | <a href="#">Click here</a> | <a href="#">Click here</a> | <a href="#">Click here</a> | <a href="#">Click here</a> |

## 7.4 Community Resources

The following links connect to TI community resources. Linked contents are provided "AS IS" by the respective contributors. They do not constitute TI specifications and do not necessarily reflect TI's views; see TI's [Terms of Use](#).

### [TI E2E™ Community](#)

*TI's Engineer-to-Engineer (E2E) Community.* Created to foster collaboration among engineers. At [e2e.ti.com](http://e2e.ti.com), you can ask questions, share knowledge, explore ideas, and help solve problems with fellow engineers.

### [TI Embedded Processors Wiki](#)

*Texas Instruments Embedded Processors Wiki.* Established to help developers get started with embedded processors from Texas Instruments and to foster innovation and growth of general knowledge about the hardware and software surrounding these devices.

## 7.5 Trademarks

MSP430, MicroStar Junior, Code Composer Studio, E2E are trademarks of Texas Instruments.

## 7.6 Electrostatic Discharge Caution



This integrated circuit can be damaged by ESD. Texas Instruments recommends that all integrated circuits be handled with appropriate precautions. Failure to observe proper handling and installation procedures can cause damage.

ESD damage can range from subtle performance degradation to complete device failure. Precision integrated circuits may be more susceptible to damage because very small parametric changes could cause the device not to meet its published specifications.

## 7.7 Export Control Notice

Recipient agrees to not knowingly export or re-export, directly or indirectly, any product or technical data (as defined by the U.S., EU, and other Export Administration Regulations) including software, or any controlled product restricted by other applicable national regulations, received from disclosing party under nondisclosure obligations (if any), or any direct product of such technology, to any destination to which such export or re-export is restricted or prohibited by U.S. or other applicable laws, without obtaining prior authorization from U.S. Department of Commerce and other competent Government authorities to the extent required by those laws.

## 7.8 Glossary

[SLYZ022](#) — *TI Glossary*.

This glossary lists and explains terms, acronyms, and definitions.


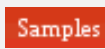



## 8 Mechanical, Packaging, and Orderable Information

The following pages include mechanical, packaging, and orderable information. This information is the most current data available for the designated devices. This data is subject to change without notice and revision of this document. For browser-based versions of this data sheet, refer to the left-hand navigation.

**PACKAGING INFORMATION**

| Orderable Device  | Status<br>(1) | Package Type         | Package Drawing | Pins | Package Qty | Eco Plan<br>(2)         | Lead/Ball Finish<br>(6) | MSL Peak Temp<br>(3) | Op Temp (°C) | Device Marking<br>(4/5) | Samples                 |
|-------------------|---------------|----------------------|-----------------|------|-------------|-------------------------|-------------------------|----------------------|--------------|-------------------------|-------------------------|
| MSP430FG4616IPZ   | ACTIVE        | LQFP                 | PZ              | 100  | 90          | Green (RoHS & no Sb/Br) | CU NIPDAU               | Level-3-260C-168 HR  | -40 to 85    | M430FG4616              | <a href="#">Samples</a> |
| MSP430FG4616IPZR  | ACTIVE        | LQFP                 | PZ              | 100  | 1000        | Green (RoHS & no Sb/Br) | CU NIPDAU               | Level-3-260C-168 HR  | -40 to 85    | M430FG4616              | <a href="#">Samples</a> |
| MSP430FG4616IZQW  | ACTIVE        | BGA MICROSTAR JUNIOR | ZQW             | 113  | 250         | Green (RoHS & no Sb/Br) | SNAGCU                  | Level-3-260C-168 HR  | -40 to 85    | M430FG4616              | <a href="#">Samples</a> |
| MSP430FG4616IZQWR | ACTIVE        | BGA MICROSTAR JUNIOR | ZQW             | 113  | 2500        | Green (RoHS & no Sb/Br) | SNAGCU                  | Level-3-260C-168 HR  | -40 to 85    | M430FG4616              | <a href="#">Samples</a> |
| MSP430FG4617IPZ   | ACTIVE        | LQFP                 | PZ              | 100  | 90          | Green (RoHS & no Sb/Br) | CU NIPDAU               | Level-3-260C-168 HR  | -40 to 85    | M430FG4617              | <a href="#">Samples</a> |
| MSP430FG4617IPZR  | ACTIVE        | LQFP                 | PZ              | 100  | 1000        | Green (RoHS & no Sb/Br) | CU NIPDAU               | Level-3-260C-168 HR  | -40 to 85    | M430FG4617              | <a href="#">Samples</a> |
| MSP430FG4617IZQWR | ACTIVE        | BGA MICROSTAR JUNIOR | ZQW             | 113  | 2500        | Green (RoHS & no Sb/Br) | SNAGCU                  | Level-3-260C-168 HR  | -40 to 85    | M430FG4617              | <a href="#">Samples</a> |
| MSP430FG4618IPZ   | ACTIVE        | LQFP                 | PZ              | 100  | 90          | Green (RoHS & no Sb/Br) | CU NIPDAU               | Level-3-260C-168 HR  | -40 to 85    | M430FG4618              | <a href="#">Samples</a> |
| MSP430FG4618IPZR  | ACTIVE        | LQFP                 | PZ              | 100  | 1000        | Green (RoHS & no Sb/Br) | CU NIPDAU               | Level-3-260C-168 HR  | -40 to 85    | M430FG4618              | <a href="#">Samples</a> |
| MSP430FG4618IZQW  | ACTIVE        | BGA MICROSTAR JUNIOR | ZQW             | 113  | 250         | Green (RoHS & no Sb/Br) | SNAGCU                  | Level-3-260C-168 HR  | -40 to 85    | M430FG4618              | <a href="#">Samples</a> |
| MSP430FG4618IZQWR | ACTIVE        | BGA MICROSTAR JUNIOR | ZQW             | 113  | 2500        | Green (RoHS & no Sb/Br) | SNAGCU                  | Level-3-260C-168 HR  | -40 to 85    | M430FG4618              | <a href="#">Samples</a> |
| MSP430FG4618IZQWT | ACTIVE        | BGA MICROSTAR JUNIOR | ZQW             | 113  | 250         | Green (RoHS & no Sb/Br) | SNAGCU                  | Level-3-260C-168 HR  |              | M430FG4618              | <a href="#">Samples</a> |
| MSP430FG4619IPZ   | ACTIVE        | LQFP                 | PZ              | 100  | 90          | Green (RoHS & no Sb/Br) | CU NIPDAU               | Level-3-260C-168 HR  | -40 to 85    | M430FG4619<br>REV #     | <a href="#">Samples</a> |
| MSP430FG4619IPZR  | ACTIVE        | LQFP                 | PZ              | 100  | 1000        | Green (RoHS & no Sb/Br) | CU NIPDAU               | Level-3-260C-168 HR  | -40 to 85    | M430FG4619              | <a href="#">Samples</a> |

| Orderable Device  | Status<br>(1) | Package Type               | Package<br>Drawing | Pins | Package<br>Qty | Eco Plan<br>(2)            | Lead/Ball Finish<br>(6) | MSL Peak Temp<br>(3) | Op Temp (°C) | Device Marking<br>(4/5) | Samples   |
|-------------------|---------------|----------------------------|--------------------|------|----------------|----------------------------|-------------------------|----------------------|--------------|-------------------------|---|
| MSP430FG4619IZQW  | ACTIVE        | BGA<br>MICROSTAR<br>JUNIOR | ZQW                | 113  | 250            | Green (RoHS<br>& no Sb/Br) | SNAGCU                  | Level-3-260C-168 HR  | -40 to 85    | M430FG4619              |  |
| MSP430FG4619IZQWR | ACTIVE        | BGA<br>MICROSTAR<br>JUNIOR | ZQW                | 113  | 2500           | Green (RoHS<br>& no Sb/Br) | SNAGCU                  | Level-3-260C-168 HR  | -40 to 85    | M430FG4619              |  |
| MSP430FG4619IZQWT | ACTIVE        | BGA<br>MICROSTAR<br>JUNIOR | ZQW                | 113  | 250            | Green (RoHS<br>& no Sb/Br) | SNAGCU                  | Level-3-260C-168 HR  | -40 to 85    | M430FG4619              |  |

(1) The marketing status values are defined as follows:

**ACTIVE:** Product device recommended for new designs.

**LIFEBUY:** TI has announced that the device will be discontinued, and a lifetime-buy period is in effect.

**NRND:** Not recommended for new designs. Device is in production to support existing customers, but TI does not recommend using this part in a new design.

**PREVIEW:** Device has been announced but is not in production. Samples may or may not be available.

**OBSELETE:** TI has discontinued the production of the device.

(2) Eco Plan - The planned eco-friendly classification: Pb-Free (RoHS), Pb-Free (RoHS Exempt), or Green (RoHS & no Sb/Br) - please check <http://www.ti.com/productcontent> for the latest availability information and additional product content details.

**TBD:** The Pb-Free/Green conversion plan has not been defined.

**Pb-Free (RoHS):** TI's terms "Lead-Free" or "Pb-Free" mean semiconductor products that are compatible with the current RoHS requirements for all 6 substances, including the requirement that lead not exceed 0.1% by weight in homogeneous materials. Where designed to be soldered at high temperatures, TI Pb-Free products are suitable for use in specified lead-free processes.

**Pb-Free (RoHS Exempt):** This component has a RoHS exemption for either 1) lead-based flip-chip solder bumps used between the die and package, or 2) lead-based die adhesive used between the die and leadframe. The component is otherwise considered Pb-Free (RoHS compatible) as defined above.

**Green (RoHS & no Sb/Br):** TI defines "Green" to mean Pb-Free (RoHS compatible), and free of Bromine (Br) and Antimony (Sb) based flame retardants (Br or Sb do not exceed 0.1% by weight in homogeneous material)

(3) MSL, Peak Temp. - The Moisture Sensitivity Level rating according to the JEDEC industry standard classifications, and peak solder temperature.

(4) There may be additional marking, which relates to the logo, the lot trace code information, or the environmental category on the device.

(5) Multiple Device Markings will be inside parentheses. Only one Device Marking contained in parentheses and separated by a "~" will appear on a device. If a line is indented then it is a continuation of the previous line and the two combined represent the entire Device Marking for that device.

(6) Lead/Ball Finish - Orderable Devices may have multiple material finish options. Finish options are separated by a vertical ruled line. Lead/Ball Finish values may wrap to two lines if the finish value exceeds the maximum column width.

**Important Information and Disclaimer:** The information provided on this page represents TI's knowledge and belief as of the date that it is provided. TI bases its knowledge and belief on information provided by third parties, and makes no representation or warranty as to the accuracy of such information. Efforts are underway to better integrate information from third parties. TI has taken and continues to take reasonable steps to provide representative and accurate information but may not have conducted destructive testing or chemical analysis on incoming materials and chemicals. TI and TI suppliers consider certain information to be proprietary, and thus CAS numbers and other limited information may not be available for release.

In no event shall TI's liability arising out of such information exceed the total purchase price of the TI part(s) at issue in this document sold by TI to Customer on an annual basis.

## TAPE AND REEL INFORMATION



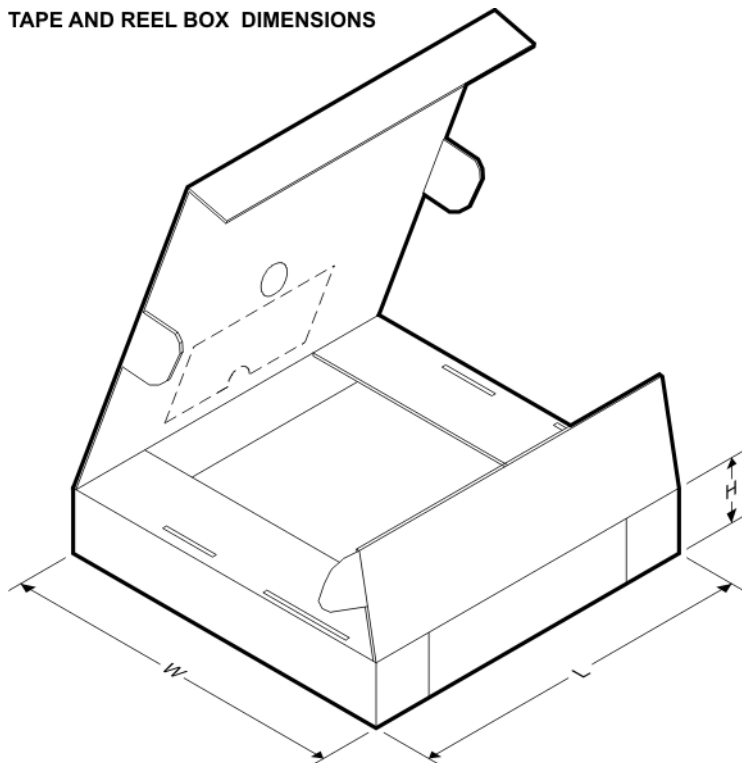
### QUADRANT ASSIGNMENTS FOR PIN 1 ORIENTATION IN TAPE



\*All dimensions are nominal

| Device            | Package Type         | Package Drawing | Pins | SPQ  | Reel Diameter (mm) | Reel Width W1 (mm) | A0 (mm) | B0 (mm) | K0 (mm) | P1 (mm) | W (mm) | Pin1 Quadrant |
|-------------------|----------------------|-----------------|------|------|--------------------|--------------------|---------|---------|---------|---------|--------|---------------|
| MSP430FG4616IPZR  | LQFP                 | PZ              | 100  | 1000 | 330.0              | 24.4               | 17.0    | 17.0    | 2.1     | 20.0    | 24.0   | Q2            |
| MSP430FG4616IZQWR | BGA MICROSTAR JUNIOR | ZQW             | 113  | 2500 | 330.0              | 16.4               | 7.3     | 7.3     | 1.5     | 12.0    | 16.0   | Q1            |
| MSP430FG4617IPZR  | LQFP                 | PZ              | 100  | 1000 | 330.0              | 24.4               | 17.0    | 17.0    | 2.1     | 20.0    | 24.0   | Q2            |
| MSP430FG4617IZQWR | BGA MICROSTAR JUNIOR | ZQW             | 113  | 2500 | 330.0              | 16.4               | 7.3     | 7.3     | 1.5     | 12.0    | 16.0   | Q1            |
| MSP430FG4618IPZR  | LQFP                 | PZ              | 100  | 1000 | 330.0              | 24.4               | 17.0    | 17.0    | 2.1     | 20.0    | 24.0   | Q2            |
| MSP430FG4618IZQWR | BGA MICROSTAR JUNIOR | ZQW             | 113  | 2500 | 330.0              | 16.4               | 7.3     | 7.3     | 1.5     | 12.0    | 16.0   | Q1            |
| MSP430FG4618IZQWT | BGA MICROSTAR JUNIOR | ZQW             | 113  | 250  | 330.0              | 16.4               | 7.3     | 7.3     | 1.5     | 12.0    | 16.0   | Q1            |
| MSP430FG4619IPZR  | LQFP                 | PZ              | 100  | 1000 | 330.0              | 24.4               | 17.0    | 17.0    | 2.1     | 20.0    | 24.0   | Q2            |
| MSP430FG4619IZQWR | BGA MICROSTAR        | ZQW             | 113  | 2500 | 330.0              | 16.4               | 7.3     | 7.3     | 1.5     | 12.0    | 16.0   | Q1            |

| Device            | Package Type         | Package Drawing | Pins | SPQ | Reel Diameter (mm) | Reel Width W1 (mm) | A0 (mm) | B0 (mm) | K0 (mm) | P1 (mm) | W (mm) | Pin1 Quadrant |
|-------------------|----------------------|-----------------|------|-----|--------------------|--------------------|---------|---------|---------|---------|--------|---------------|
|                   | R JUNIOR             |                 |      |     |                    |                    |         |         |         |         |        |               |
| MSP430FG4619IZQWT | BGA MICROSTAR JUNIOR | ZQW             | 113  | 250 | 330.0              | 16.4               | 7.3     | 7.3     | 1.5     | 12.0    | 16.0   | Q1            |

**TAPE AND REEL BOX DIMENSIONS**


\*All dimensions are nominal

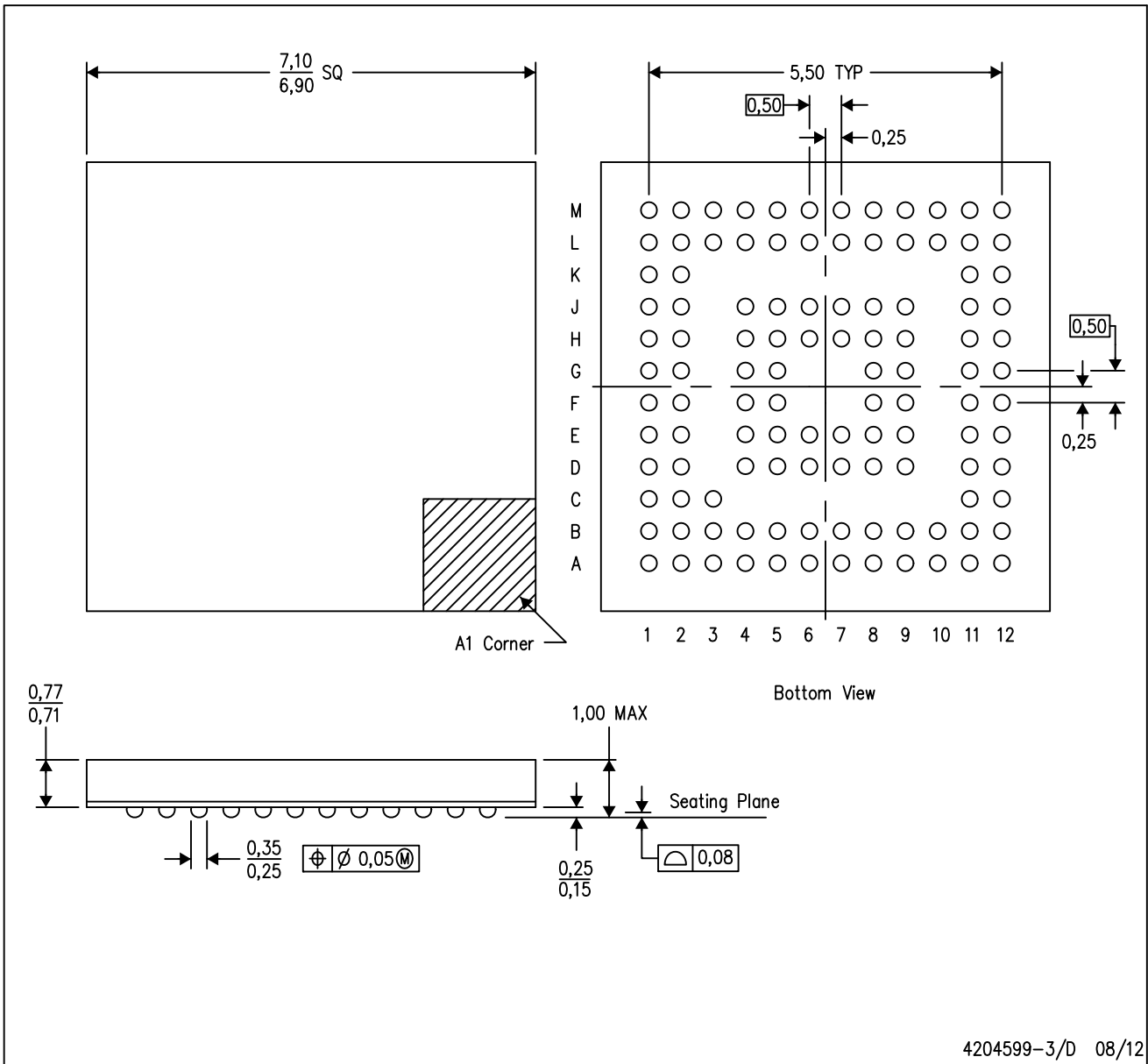
| Device            | Package Type         | Package Drawing | Pins | SPQ  | Length (mm) | Width (mm) | Height (mm) |
|-------------------|----------------------|-----------------|------|------|-------------|------------|-------------|
| MSP430FG4616IPZR  | LQFP                 | PZ              | 100  | 1000 | 367.0       | 367.0      | 45.0        |
| MSP430FG4616IZQWR | BGA MICROSTAR JUNIOR | ZQW             | 113  | 2500 | 336.6       | 336.6      | 28.6        |
| MSP430FG4617IPZR  | LQFP                 | PZ              | 100  | 1000 | 367.0       | 367.0      | 45.0        |
| MSP430FG4617IZQWR | BGA MICROSTAR JUNIOR | ZQW             | 113  | 2500 | 336.6       | 336.6      | 28.6        |
| MSP430FG4618IPZR  | LQFP                 | PZ              | 100  | 1000 | 367.0       | 367.0      | 45.0        |
| MSP430FG4618IZQWR | BGA MICROSTAR JUNIOR | ZQW             | 113  | 2500 | 336.6       | 336.6      | 28.6        |
| MSP430FG4618IZQWT | BGA MICROSTAR JUNIOR | ZQW             | 113  | 250  | 336.6       | 336.6      | 28.6        |
| MSP430FG4619IPZR  | LQFP                 | PZ              | 100  | 1000 | 367.0       | 367.0      | 45.0        |
| MSP430FG4619IZQWR | BGA MICROSTAR        | ZQW             | 113  | 2500 | 336.6       | 336.6      | 28.6        |

---

| Device            | Package Type            | Package Drawing | Pins | SPQ | Length (mm) | Width (mm) | Height (mm) |
|-------------------|-------------------------|-----------------|------|-----|-------------|------------|-------------|
|                   | JUNIOR                  |                 |      |     |             |            |             |
| MSP430FG4619IZQWT | BGA MICROSTAR<br>JUNIOR | ZQW             | 113  | 250 | 336.6       | 336.6      | 28.6        |

ZQW (S-PBGA-N113)

PLASTIC BALL GRID ARRAY



- NOTES:
- A. All linear dimensions are in millimeters.
  - B. This drawing is subject to change without notice.
  - C. Falls within JEDEC MO-225
  - D. This is a Pb-free solder ball design.

MicroStar Junior is a trademark of Texas Instruments.



PZ (S-PQFP-G100)

PLASTIC QUAD FLATPACK



- NOTES: A. All linear dimensions are in millimeters.  
 B. This drawing is subject to change without notice.  
 C. Falls within JEDEC MS-026

## IMPORTANT NOTICE

Texas Instruments Incorporated and its subsidiaries (TI) reserve the right to make corrections, enhancements, improvements and other changes to its semiconductor products and services per JESD46, latest issue, and to discontinue any product or service per JESD48, latest issue. Buyers should obtain the latest relevant information before placing orders and should verify that such information is current and complete. All semiconductor products (also referred to herein as "components") are sold subject to TI's terms and conditions of sale supplied at the time of order acknowledgment.

TI warrants performance of its components to the specifications applicable at the time of sale, in accordance with the warranty in TI's terms and conditions of sale of semiconductor products. Testing and other quality control techniques are used to the extent TI deems necessary to support this warranty. Except where mandated by applicable law, testing of all parameters of each component is not necessarily performed.

TI assumes no liability for applications assistance or the design of Buyers' products. Buyers are responsible for their products and applications using TI components. To minimize the risks associated with Buyers' products and applications, Buyers should provide adequate design and operating safeguards.

TI does not warrant or represent that any license, either express or implied, is granted under any patent right, copyright, mask work right, or other intellectual property right relating to any combination, machine, or process in which TI components or services are used. Information published by TI regarding third-party products or services does not constitute a license to use such products or services or a warranty or endorsement thereof. Use of such information may require a license from a third party under the patents or other intellectual property of the third party, or a license from TI under the patents or other intellectual property of TI.

Reproduction of significant portions of TI information in TI data books or data sheets is permissible only if reproduction is without alteration and is accompanied by all associated warranties, conditions, limitations, and notices. TI is not responsible or liable for such altered documentation. Information of third parties may be subject to additional restrictions.

Resale of TI components or services with statements different from or beyond the parameters stated by TI for that component or service voids all express and any implied warranties for the associated TI component or service and is an unfair and deceptive business practice. TI is not responsible or liable for any such statements.

Buyer acknowledges and agrees that it is solely responsible for compliance with all legal, regulatory and safety-related requirements concerning its products, and any use of TI components in its applications, notwithstanding any applications-related information or support that may be provided by TI. Buyer represents and agrees that it has all the necessary expertise to create and implement safeguards which anticipate dangerous consequences of failures, monitor failures and their consequences, lessen the likelihood of failures that might cause harm and take appropriate remedial actions. Buyer will fully indemnify TI and its representatives against any damages arising out of the use of any TI components in safety-critical applications.

In some cases, TI components may be promoted specifically to facilitate safety-related applications. With such components, TI's goal is to help enable customers to design and create their own end-product solutions that meet applicable functional safety standards and requirements. Nonetheless, such components are subject to these terms.

No TI components are authorized for use in FDA Class III (or similar life-critical medical equipment) unless authorized officers of the parties have executed a special agreement specifically governing such use.

Only those TI components which TI has specifically designated as military grade or "enhanced plastic" are designed and intended for use in military/aerospace applications or environments. Buyer acknowledges and agrees that any military or aerospace use of TI components which have **not** been so designated is solely at the Buyer's risk, and that Buyer is solely responsible for compliance with all legal and regulatory requirements in connection with such use.

TI has specifically designated certain components as meeting ISO/TS16949 requirements, mainly for automotive use. In any case of use of non-designated products, TI will not be responsible for any failure to meet ISO/TS16949.

### Products

|                              |  |
|------------------------------|--|
| Audio                        | <a href="http://www.ti.com/audio">www.ti.com/audio</a>                               |
| Amplifiers                   | <a href="http://amplifier.ti.com">amplifier.ti.com</a>                               |
| Data Converters              | <a href="http://dataconverter.ti.com">dataconverter.ti.com</a>                       |
| DLP® Products                | <a href="http://www.dlp.com">www.dlp.com</a>   |
| DSP                          | <a href="http://dsp.ti.com">dsp.ti.com</a>   |
| Clocks and Timers            | <a href="http://www.ti.com/clocks">www.ti.com/clocks</a>                             |
| Interface                    | <a href="http://interface.ti.com">interface.ti.com</a>                               |
| Logic                        | <a href="http://logic.ti.com">logic.ti.com</a>                                       |
| Power Mgmt                   | <a href="http://power.ti.com">power.ti.com</a>                                       |
| Microcontrollers             | <a href="http://microcontroller.ti.com">microcontroller.ti.com</a>                   |
| RFID                         | <a href="http://www.ti-rfid.com">www.ti-rfid.com</a>                                 |
| OMAP Applications Processors | <a href="http://www.ti.com/omap">www.ti.com/omap</a>                                 |
| Wireless Connectivity        | <a href="http://www.ti.com/wirelessconnectivity">www.ti.com/wirelessconnectivity</a> |

### Applications

|                               |  |
|-------------------------------|--|
| Automotive and Transportation | <a href="http://www.ti.com/automotive">www.ti.com/automotive</a>                         |
| Communications and Telecom    | <a href="http://www.ti.com/communications">www.ti.com/communications</a>                 |
| Computers and Peripherals     | <a href="http://www.ti.com/computers">www.ti.com/computers</a>                           |
| Consumer Electronics          | <a href="http://www.ti.com/consumer-apps">www.ti.com/consumer-apps</a>                   |
| Energy and Lighting           | <a href="http://www.ti.com/energy">www.ti.com/energy</a>                                 |
| Industrial                    | <a href="http://www.ti.com/industrial">www.ti.com/industrial</a>                         |
| Medical                       | <a href="http://www.ti.com/medical">www.ti.com/medical</a>                               |
| Security                      | <a href="http://www.ti.com/security">www.ti.com/security</a>                             |
| Space, Avionics and Defense   | <a href="http://www.ti.com/space-avionics-defense">www.ti.com/space-avionics-defense</a> |
| Video and Imaging             | <a href="http://www.ti.com/video">www.ti.com/video</a>                                   |

### TI E2E Community

[e2e.ti.com](http://e2e.ti.com)