

## 0.9-Ω SPDT ANALOG SWITCH 5-V/3.3-V SINGLE-CHANNEL 2:1 MULTIPLEXER/DEMULTIPLEXER

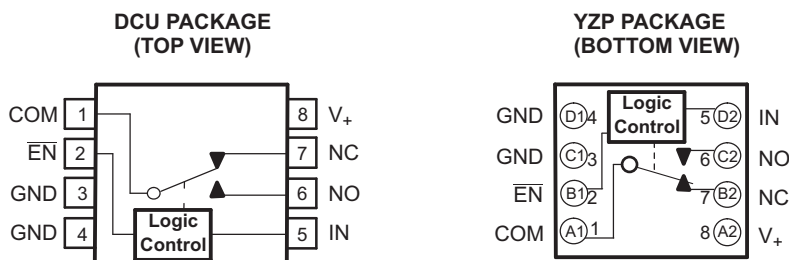
Check for Samples: [TS5A3154](#)

### FEATURES

- Specified Make-Before-Break Switching
- Low ON-State Resistance (0.9 Ω)
- Control Inputs Are 5.5-V Tolerant
- Low Charge Injection
- Excellent ON-State Resistance Matching
- Low Total Harmonic Distortion (THD)
- 1.65-V to 5.5-V Single-Supply Operation
- Latch-Up Performance Exceeds 100 mA Per JESD 78, Class II
- ESD Performance Tested Per JESD 22
  - 2000-V Human-Body Model (A114-B, Class II)
  - 1000-V Charged-Device Model (C101)

### APPLICATIONS

- Cell Phones
- PDAs
- Portable Instrumentation
- Audio and Video Signal Routing
- Low-Voltage Data-Acquisition Systems
- Communication Circuits
- Modems
- Hard Drives
- Computer Peripherals
- Wireless Terminals and Peripherals



### DESCRIPTION/ORDERING INFORMATION

The TS5A3154 is a single-pole double-throw (SPDT) analog switch that is designed to operate from 1.65 V to 5.5 V. The device offers a low ON-state resistance and an excellent channel-to-channel ON-state resistance matching. The device has excellent total harmonic distortion (THD) performance and consumes very low power. These features make this device suitable for portable audio applications.

**Table 1. ORDERING INFORMATION**

T <sub>A</sub>	PACKAGE <sup>(1) (2)</sup>		ORDERABLE PART NUMBER	TOP-SIDE MARKING <sup>(3)</sup>
–40°C to 85°C	NanoFree™ – WCSP (DSBGA) 0.23-mm Large Bump – YZP (Pb-free)	Reel of 3000	TS5A3154YZPR	__ _JX_
	SSOP – DCU	Reel of 3000	TS5A3154DCUR	JCF_

(1) Package drawings, thermal data, and symbolization are available at [www.ti.com/packaging](http://www.ti.com/packaging).

(2) For the most current package and ordering information, see the Package Option Addendum at the end of this document, or see the TI website at [www.ti.com](http://www.ti.com).

(3) DCU: The actual top-side marking has one additional character that designates the assembly/test site.

YZP: The actual top-side marking has three preceding characters to denote year, month, and sequence code, and one following character to designate the assembly/test site. Pin 1 identifier indicates solder-bump composition (1 = SnPb, • = Pb-free).



Please be aware that an important notice concerning availability, standard warranty, and use in critical applications of Texas Instruments semiconductor products and disclaimers thereto appears at the end of this data sheet.

NanoFree is a trademark of Texas Instruments.

**Table 2. FUNCTION TABLE**

$\overline{\text{EN}}$	IN	NC TO COM, COM TO NC	NO TO COM, COM TO NO
L	L	ON	OFF
L	H	OFF	ON
H	X	OFF	OFF

**Table 3. Summary of Characteristics<sup>(1)</sup>**

Configuration	Single-Pole, Double-Throw 2:1 Multiplexer/Demultiplexer (SPDT)
Number of channels	1
ON-state resistance ( $r_{\text{on}}$ )	0.9 $\Omega$
ON-state resistance match ( $\Delta r_{\text{on}}$ )	0.1 $\Omega$
ON-state resistance flatness ( $r_{\text{on(flat)}}$ )	0.15 $\Omega$
Turn-on/turn-off time ( $t_{\text{ON}}/t_{\text{OFF}}$ )	8 ns/12.5 ns
Make-before-break time ( $t_{\text{MKB}}$ )	12 ns
Charge injection ( $Q_{\text{C}}$ )	10 pC
Bandwidth (BW)	100 MHz
OFF isolation ( $O_{\text{ISO}}$ )	-64 dB at 1 MHz
Crosstalk ( $X_{\text{TALK}}$ )	-64 dB at 1 MHz
Total harmonic distortion (THD)	0.004%
Leakage current ( $I_{\text{COM(OFF)}}$ / $I_{\text{NC(OFF)}}$ )	$\pm 20$ nA
Power-supply current ( $I_{+}$ )	0.1 $\mu\text{A}$
Package option	8-pin SSOP or DSBGA

(1)  $V_{+} = 5$  V,  $T_{\text{A}} = 25^{\circ}\text{C}$

**Absolute Minimum and Maximum Ratings<sup>(1) (2)</sup>**

over operating free-air temperature range (unless otherwise noted)

			<b>MIN</b>	<b>MAX</b>	<b>UNIT</b>
$V_+$	Supply voltage range <sup>(3)</sup>		-0.5	6.5	V
$V_{NC}$ , $V_{NO}$ , $V_{COM}$	Analog voltage range <sup>(3) (4) (5)</sup>		-0.5	$V_+ + 0.5$	V
$I_K$	Analog port diode current	$V_{NC}, V_{NO}, V_{COM} < 0$ or $V_{NO}, V_{NC}, V_{COM} > V_+$	-50	50	mA
$I_{NC}$ , $I_{COM}$ , $I_{NO}$	On-state switch current	$V_{NC}, V_{NO}, V_{COM} = 0$ to $V_+$	-200	200	mA
	On-state peak switch current <sup>(6)</sup>		-400	400	
$V_I$	Digital input voltage range <sup>(3) (4)</sup>		-0.5	6.5	V
$I_{IK}$	Digital input clamp current	$V_I < 0$	-50		mA
$I_+$	Continuous current through $V_+$			100	mA
$I_{GND}$	Continuous current through GND		-100	100	mA
$\theta_{JA}$	Package thermal impedance <sup>(7)</sup>	DCU package		227	°C/W
		YZP package		102	
$T_{stg}$	Storage temperature range		-65	150	°C

- (1) Stresses above these ratings may cause permanent damage. Exposure to absolute maximum conditions for extended periods may degrade device reliability. These are stress ratings only, and functional operation of the device at these or any other conditions beyond those specified is not implied.
- (2) The algebraic convention, whereby the most negative value is a minimum and the most positive value is a maximum
- (3) All voltages are with respect to ground, unless otherwise specified.
- (4) The input and output voltage ratings may be exceeded if the input and output clamp-current ratings are observed.
- (5) This value is limited to 5.5 V maximum.
- (6) Pulse at 1-ms duration < 10% duty cycle.
- (7) The package thermal impedance is calculated in accordance with JESD 51-7.

## Electrical Characteristics for 5-V Supply<sup>(1)</sup>

$V_+ = 4.5 \text{ V to } 5.5 \text{ V}$ ,  $T_A = -40^\circ\text{C to } 85^\circ\text{C}$  (unless otherwise noted)

PARAMETER	SYMBOL	TEST CONDITIONS	$T_A$	$V_+$	MIN	TYP	MAX	UNIT	
<b>Analog Switch</b>									
Analog signal range	$V_{COM}, V_{NO}, V_{NC}$				0		$V_+$	V	
Peak ON resistance	$r_{peak}$	$0 \leq (V_{NO} \text{ or } V_{NC}) \leq V_+$ , $I_{COM} = -100 \text{ mA}$ ,	Switch ON, See <a href="#">Figure 13</a>	25°C	4.5 V	0.9	1.1	$\Omega$	
				Full					1.3
ON-state resistance	$r_{on}$	$V_{NO} \text{ or } V_{NC} = 2.5 \text{ V}$ , $I_{COM} = -100 \text{ mA}$ ,	Switch ON, See <a href="#">Figure 13</a>	25°C	4.5 V	0.8	0.9	$\Omega$	
				Full					1.1
ON-state resistance matching between channels	$\Delta r_{on}$	$V_{NO} \text{ or } V_{NC} = 2.5 \text{ V}$ , $I_{COM} = -100 \text{ mA}$ ,	Switch ON, See <a href="#">Figure 13</a>	25°C	4.5 V	0.05	0.1	$\Omega$	
				Full					0.1
ON-state resistance flatness	$r_{on(flat)}$	$0 \leq (V_{NO} \text{ or } V_{NC}) \leq V_+$ , $I_{COM} = -100 \text{ mA}$ ,	Switch ON, See <a href="#">Figure 13</a>	25°C	4.5 V	0.15		$\Omega$	
				Full					
				25°C		4.5 V	0.09		0.15
Full	0.15								
NC, NO OFF leakage current	$I_{NC(OFF)}, I_{NO(OFF)}$	$V_{NC} \text{ or } V_{NO} = 1 \text{ V}$ , $V_{COM} = 4.5 \text{ V}$ , or $V_{NC} \text{ or } V_{NO} = 4.5 \text{ V}$ , $V_{COM} = 1 \text{ V}$ ,	Switch OFF, See <a href="#">Figure 14</a>	25°C	5.5 V	-20	2	20	nA
				Full		-150	150		
	$I_{NC(PWROFF)}, I_{NO(PWROFF)}$	$V_{NC} \text{ or } V_{NO} = 0 \text{ to } 5.5 \text{ V}$ , $V_{COM} = 5.5 \text{ V to } 0$ ,	Switch OFF, See <a href="#">Figure 14</a>	25°C	0 V	-5	0.7	5	$\mu\text{A}$
				Full		-25	25		
NC, NO ON leakage current	$I_{NC(ON)}, I_{NO(ON)}$	$V_{NC} \text{ or } V_{NO} = 1 \text{ V}$ , $V_{COM} = \text{Open}$ , or $V_{NC} \text{ or } V_{NO} = 4.5 \text{ V}$ , $V_{COM} = \text{Open}$ ,	Switch ON, See <a href="#">Figure 15</a>	25°C	5.5 V	-20	2	20	nA
				Full		-150	150		
COM OFF leakage current	$I_{COM(OFF)}$	$V_{COM} = 1 \text{ V}$ , $V_{NC} \text{ or } V_{NO} = 4.5 \text{ V}$ , or $V_{COM} = 4.5 \text{ V}$ , $V_{NC} \text{ or } V_{NO} = 1 \text{ V}$ ,	Switch OFF, See <a href="#">Figure 14</a>	25°C	5.5 V	-20	2	20	nA
				Full		-150	150		
	$I_{COM(PWROFF)}$	$V_{NC} \text{ or } V_{NO} = 0 \text{ to } 5.5 \text{ V}$ , $V_{COM} = 5.5 \text{ V to } 0$ ,	Switch OFF, See <a href="#">Figure 14</a>	25°C	0 V	-5	0.7	5	$\mu\text{A}$
				Full		-25	25		
COM ON leakage current	$I_{COM(ON)}$	$V_{COM} = 1 \text{ V}$ , $V_{NC} \text{ or } V_{NO} = \text{Open}$ , or $V_{COM} = 4.5 \text{ V}$ , $V_{NC} \text{ or } V_{NO} = \text{Open}$ ,	Switch ON, See <a href="#">Figure 15</a>	25°C	5.5 V	-20	2	20	nA
Full	-150	150							
<b>Digital Control Inputs (<math>I_N, \overline{EN}</math>)<sup>(2)</sup></b>									
Input logic high	$V_{IH}$			Full		2.4	5.5	V	
Input logic low	$V_{IL}$			Full		0	0.8	V	
Input leakage current	$I_{IH}, I_{IL}$	$V_I = 5.5 \text{ V or } 0 \text{ V}$		25°C	5.5 V	-100	25	100	nA
				Full		-100	100		

(1) The algebraic convention, whereby the most negative value is a minimum and the most positive value is a maximum.

(2) All unused digital inputs of the device must be held at  $V_+$  or GND to ensure proper device operation. Refer to the TI application report, *Implications of Slow or Floating CMOS Inputs*, literature number SCBA004.

**Electrical Characteristics for 5-V Supply<sup>(1)</sup> (continued)**
 $V_+ = 4.5\text{ V to }5.5\text{ V}$ ,  $T_A = -40^\circ\text{C to }85^\circ\text{C}$  (unless otherwise noted)

PARAMETER	SYMBOL	TEST CONDITIONS	$T_A$	$V_+$	MIN	TYP	MAX	UNIT	
<b>Dynamic</b>									
Turn-on time, IN or $\overline{OE}$	$t_{ON}$	$V_{COM} = V_+$ , $R_L = 50\ \Omega$ ,	$C_L = 35\text{ pF}$ , See <a href="#">Figure 17</a>	25°C	5 V	1	5.2	8	ns
				Full	4.5 V to 5.5 V	1		9	
Turn-off time, IN or $\overline{OE}$	$t_{OFF}$	$V_{COM} = V_+$ , $R_L = 50\ \Omega$ ,	$C_L = 35\text{ pF}$ , See <a href="#">Figure 17</a>	25°C	5 V	5	9.5	12.5	ns
				Full	4.5 V to 5.5 V	4		13.5	
Make-before-break time	$t_{MKB}$	$V_{COM} = V_+$ , $R_L = 50\ \Omega$ ,	$C_L = 35\text{ pF}$ , See <a href="#">Figure 18</a>	25°C	5 V	4	6.3	12	ns
				Full	4.5 V to 5.5 V	4		13	
Charge injection	$Q_C$	$V_{GEN} = 0$ , $R_{GEN} = 0$ ,	$C_L = 1\text{ nF}$ , See <a href="#">Figure 22</a>	25°C	5 V		10	pC	
NC, NO OFF capacitance	$C_{NC(OFF)}$ , $C_{NO(OFF)}$	$V_{NC}$ or $V_{NO} = V_+$ or GND,	Switch OFF, See <a href="#">Figure 16</a>	25°C	5 V		19	pF	
NC, NO ON capacitance	$C_{NC(ON)}$ , $C_{NO(ON)}$	$V_{NC}$ or $V_{NO} = V_+$ or GND,	Switch ON, See <a href="#">Figure 16</a>	25°C	5 V		57	pF	
COM OFF capacitance	$C_{COM(OFF)}$	$V_{COM} = V_+$ or GND,	Switch ON, See <a href="#">Figure 16</a>	25°C	5 V		36	pF	
COM ON capacitance	$C_{COM(ON)}$	$V_{COM} = V_+$ or GND,	Switch ON, See <a href="#">Figure 16</a>	25°C	5 V		57	pF	
Digital input capacitance	$C_I$	$V_I = V_+$ or GND,	See <a href="#">Figure 16</a>	25°C	5 V		2	pF	
Bandwidth	BW	$R_L = 50\ \Omega$ ,	Switch ON, See <a href="#">Figure 19</a>	25°C	5 V		100	MHz	
OFF isolation	$O_{ISO}$	$R_L = 50\ \Omega$ , $f = 1\text{ MHz}$ ,	Switch OFF, See <a href="#">Figure 20</a>	25°C	5 V		-64	dB	
Crosstalk	$X_{TALK}$	$R_L = 50\ \Omega$ , $f = 1\text{ MHz}$ ,	Switch ON, See <a href="#">Figure 21</a>	25°C	5 V		-64	dB	
Total harmonic distortion	THD	$R_L = 600\ \Omega$ , $C_L = 50\text{ pF}$ ,	$f = 20\text{ Hz to }20\text{ kHz}$ , See <a href="#">Figure 23</a>	25°C	5 V		0.004	%	
<b>Supply</b>									
Positive supply current	$I_+$	$V_I = V_+$ or GND,	Switch ON or OFF	25°C	5.5 V		0.02	0.1	$\mu\text{A}$
				Full				0.5	

### Electrical Characteristics for 3.3-V Supply<sup>(1)</sup>

V<sub>+</sub> = 3 V to 3.6 V, T<sub>A</sub> = –40°C to 85°C (unless otherwise noted)

PARAMETER	SYMBOL	TEST CONDITIONS	T <sub>A</sub>	V <sub>+</sub>	MIN	TYP	MAX	UNIT	
<b>Analog Switch</b>									
Analog signal range	V <sub>COM</sub> , V <sub>NO</sub> , V <sub>NC</sub>				0		V <sub>+</sub>	V	
Peak ON resistance	r <sub>peak</sub>	0 ≤ (V <sub>NO</sub> or V <sub>NC</sub> ) ≤ V <sub>+</sub> , I <sub>COM</sub> = –100 mA,	25°C	3 V		1.3	1.6	Ω	
			Full				1.9		
ON-state resistance	r <sub>on</sub>	V <sub>NO</sub> or V <sub>NC</sub> = 2 V, I <sub>COM</sub> = –100 mA,	25°C	3 V		1.2	1.5	Ω	
			Full				1.7		
ON-state resistance match between channels	Δr <sub>on</sub>	V <sub>NO</sub> or V <sub>NC</sub> = 2 V, 0.8 V I <sub>COM</sub> = –100 mA,	25°C	3 V		0.08	0.15	Ω	
			Full				0.15		
ON-state resistance flatness	r <sub>on(flat)</sub>	0 ≤ (V <sub>NO</sub> or V <sub>NC</sub> ) ≤ V <sub>+</sub> , I <sub>COM</sub> = –100 mA,	25°C	3 V		0.3		Ω	
		V <sub>NO</sub> or V <sub>NC</sub> = 2 V, 0.8 V, I <sub>COM</sub> = –100 mA,	25°C				0.09		0.15
			Full			0.15			
NC, NO OFF leakage current	I <sub>NC(OFF)</sub> , I <sub>NO(OFF)</sub>	V <sub>NC</sub> or V <sub>NO</sub> = 1 V, V <sub>COM</sub> = 3 V, or V <sub>NC</sub> or V <sub>NO</sub> = 3 V, V <sub>COM</sub> = 1 V,	25°C	3.6 V		–20	2	20	nA
			Full				–50		
	I <sub>NC(PWROFF)</sub> , I <sub>NO(PWROFF)</sub>	V <sub>NC</sub> or V <sub>NO</sub> = 0 to 3.6 V, V <sub>COM</sub> = 3.6 V to 0 V,	25°C	0 V		–1	0.2	1	μA
			Full				–15		
NC, NO ON leakage current	I <sub>NC(ON)</sub> , I <sub>NO(ON)</sub>	V <sub>NC</sub> or V <sub>NO</sub> = 1 V, V <sub>COM</sub> = Open, or V <sub>NC</sub> or V <sub>NO</sub> = 3 V, V <sub>COM</sub> = Open,	25°C	3.6 V		–20	2	20	nA
			Full				–50		
COM OFF leakage current	I <sub>COM(OFF)</sub>	V <sub>COM</sub> = 1 V, V <sub>NC</sub> or V <sub>NO</sub> = 3 V, or V <sub>COM</sub> = 3 V, V <sub>NC</sub> or V <sub>NO</sub> = 1 V,	25°C	3.6 V		–20	2	20	nA
			Full				–50		
	I <sub>COM(PWROFF)</sub>	V <sub>NC</sub> or V <sub>NO</sub> = 0 to 3.6 V, V <sub>COM</sub> = 3.6 V to 0,	25°C	0 V		–1	0.2	1	μA
			Full				–15		
COM ON leakage current	I <sub>COM(ON)</sub>	V <sub>COM</sub> = 1 V, V <sub>NC</sub> or V <sub>NO</sub> = Open, or V <sub>COM</sub> = 3 V, V <sub>NC</sub> or V <sub>NO</sub> = Open	25°C	3.6 V		–20	2	20	nA
			Full				–50		
<b>Digital Control Inputs (IN, EN)<sup>(2)</sup></b>									
Input logic high	V <sub>IH</sub>		Full			2	5.5	V	
Input logic low	V <sub>IL</sub>		Full			0	0.8	V	
Input leakage current	I <sub>IH</sub> , I <sub>IL</sub>	V <sub>I</sub> = 5.5 V or 0	25°C	3.6 V		–100	25	100	nA
			Full				–100		

- (1) The algebraic convention, whereby the most negative value is a minimum and the most positive value is a maximum.
- (2) All unused digital inputs of the device must be held at V<sub>+</sub> or GND to ensure proper device operation. Refer to the TI application report, *Implications of Slow or Floating CMOS Inputs*, literature number SCBA004.

**Electrical Characteristics for 3.3-V Supply<sup>(1)</sup> (continued)**
 $V_+ = 3\text{ V to }3.6\text{ V}$ ,  $T_A = -40^\circ\text{C to }85^\circ\text{C}$  (unless otherwise noted)

PARAMETER	SYMBOL	TEST CONDITIONS	$T_A$	$V_+$	MIN	TYP	MAX	UNIT	
<b>Dynamic</b>									
Turn-on time, IN or $\overline{\text{OE}}$	$t_{\text{ON}}$	$V_{\text{COM}} = V_+$ , $R_L = 50\ \Omega$ ,	$C_L = 35\ \text{pF}$ , See <a href="#">Figure 17</a>	25°C	3.3 V	3	6	10	ns
				Full	3 V to 3.6 V	2		10.5	
Turn-off time, IN or $\overline{\text{OE}}$	$t_{\text{OFF}}$	$V_{\text{COM}} = V_+$ , $R_L = 50\ \Omega$ ,	$C_L = 35\ \text{pF}$ , See <a href="#">Figure 17</a>	25°C	3.3 V	5	10	15	ns
				Full	3 V to 3.6 V	4		17	
Make-before- break time	$t_{\text{MBB}}$	$V_{\text{COM}} = V_+$ , $R_L = 50\ \Omega$ ,	$C_L = 35\ \text{pF}$ , See <a href="#">Figure 18</a>	25°C	3.3 V	4	5.7	12	ns
				Full	3 V to 3.6 V	4		13	
Charge injection	$Q_C$	$V_{\text{GEN}} = 0$ , $R_{\text{GEN}} = 0$ ,	$C_L = 1\ \text{nF}$ , See <a href="#">Figure 22</a>	25°C	3.3 V		9	pC	
NC, NO OFF capacitance	$C_{\text{NC(OFF)}}$ , $C_{\text{NO(OFF)}}$	$V_{\text{NC}}$ or $V_{\text{NO}} = V_+$ or GND,	Switch OFF, See <a href="#">Figure 16</a>	25°C	3.3 V		19	pF	
NC, NO ON capacitance	$C_{\text{NC(ON)}}$ , $C_{\text{NO(ON)}}$	$V_{\text{NC}}$ or $V_{\text{NO}} = V_+$ or GND,	Switch ON, See <a href="#">Figure 16</a>	25°C	3.3 V		57	pF	
COM OFF capacitance	$C_{\text{COM(OFF)}}$	$V_{\text{COM}} = V_+$ or GND,	Switch ON, See	25°C	3.3 V		36	pF	
COM ON capacitance	$C_{\text{COM(ON)}}$	$V_{\text{COM}} = V_+$ or GND,	Switch ON, See <a href="#">Figure 16</a>	25°C	3.3 V		57	pF	
Digital input capacitance	$C_I$	$V_I = V_+$ or GND,	See <a href="#">Figure 16</a>	25°C	3.3 V		2	pF	
Bandwidth	BW	$R_L = 50\ \Omega$ ,	Switch ON, See <a href="#">Figure 19</a>	25°C	3.3 V		100	MHz	
OFF isolation	$O_{\text{ISO}}$	$R_L = 50\ \Omega$ , $f = 1\ \text{MHz}$ ,	Switch OFF, See <a href="#">Figure 20</a>	25°C	3.3 V		-64	dB	
Crosstalk	$X_{\text{TALK}}$	$R_L = 50\ \Omega$ , $f = 1\ \text{MHz}$ ,	Switch ON, See <a href="#">Figure 21</a>	25°C	3.3 V		-64	dB	
Total harmonic distortion	THD	$R_L = 600\ \Omega$ , $C_L = 50\ \text{pF}$ ,	$f = 20\ \text{Hz to }20\ \text{kHz}$ , See <a href="#">Figure 23</a>	25°C	3.3 V		0.01 0	%	
<b>Supply</b>									
Positive supply current	$I_+$	$V_I = V_+$ or GND,	Switch ON or OFF	25°C	3.6 V	0.01	0.1	$\mu\text{A}$	
				Full			0.25		

## Electrical Characteristics for 2.5-V Supply<sup>(1)</sup>

$V_+ = 3\text{ V to }3.6\text{ V}$ ,  $T_A = -40^\circ\text{C to }85^\circ\text{C}$  (unless otherwise noted)

PARAMETER	SYMBOL	TEST CONDITIONS	$T_A$	$V_+$	MIN	TYP	MAX	UNIT	
<b>Analog Switch</b>									
Analog signal range	$V_{COM}, V_{NO}, V_{NC}$				0		$V_+$	V	
Peak ON resistance	$r_{peak}$	$0 \leq (V_{NO} \text{ or } V_{NC}) \leq V_+$ , $I_{COM} = -8\text{ mA}$ ,	Switch ON, See <a href="#">Figure 13</a>	25°C	2.3 V	1.9	2.5	$\Omega$	
				Full					2.7
ON-state resistance	$r_{on}$	$V_{NO} \text{ or } V_{NC} = 1.8\text{ V}$ , $I_{COM} = -8\text{ mA}$ ,	Switch ON, See <a href="#">Figure 13</a>	25°C	2.3 V	1.6	2.1	$\Omega$	
				Full					2.5
ON-state resistance matching between channels	$\Delta r_{on}$	$V_{NO} \text{ or } V_{NC} = 1.8\text{ V}$ , $I_{COM} = -8\text{ mA}$ ,	Switch ON, See <a href="#">Figure 13</a>	25°C	2.3 V	0.12	0.2	$\Omega$	
				Full					0.2
ON-state resistance flatness	$r_{on(flat)}$	$0 \leq (V_{NO} \text{ or } V_{NC}) \leq V_+$ , $I_{COM} = -8\text{ mA}$ ,	Switch ON, See <a href="#">Figure 13</a>	25°C	2.3 V	0.65		$\Omega$	
				Full					
				25°C		0.5			
				Full		1			
NC, NO OFF leakage current	$I_{NC(OFF)}, I_{NO(OFF)}$	$V_{NC} \text{ or } V_{NO} = 0.5\text{ V}$ , $V_{COM} = 2.3\text{ V}$ , or $V_{NC} \text{ or } V_{NO} = 2.3\text{ V}$ , $V_{COM} = 0.5\text{ V}$ ,	Switch OFF, See <a href="#">Figure 14</a>	25°C	2.7 V	-20	2	20	nA
				Full		-50		50	
	$I_{NC(PWROFF)}, I_{NO(PWROFF)}$	$V_{NC} \text{ or } V_{NO} = 0 \text{ to } 2.7\text{ V}$ , $V_{COM} = 2.7\text{ V to } 0$ ,	Switch OFF, See <a href="#">Figure 14</a>	25°C	0 V	-1		1	$\mu\text{A}$
				Full		-10		10	
NC, NO ON leakage current	$I_{NC(ON)}, I_{NO(ON)}$	$V_{NC} \text{ or } V_{NO} = 0.5\text{ V}$ , $V_{COM} = \text{Open}$ , or $V_{NC} \text{ or } V_{NO} = 2.3\text{ V}$ , $V_{COM} = \text{Open}$ ,	Switch ON, See <a href="#">Figure 15</a>	25°C	2.7 V	-20		20	nA
				Full		-50		50	
COM OFF leakage current	$I_{COM(OFF)}$	$V_{COM} = 0.5\text{ V}$ , $V_{NC}$ or $V_{NO} = 2.3\text{ V}$ , or $V_{COM} = 2.3\text{ V}$ , $V_{NC}$ or $V_{NO} = 0.5\text{ V}$ ,	Switch OFF, See <a href="#">Figure 14</a>	25°C	2.7 V	-20		20	nA
				Full		-50		50	
	$I_{COM(PWROFF)}$	$V_{NC} \text{ or } V_{NO} = 0 \text{ to } 2.7\text{ V}$ , $V_{COM} = 2.7\text{ V to } 0$ ,	Switch OFF, See <a href="#">Figure 14</a>	25°C	0 V	-1		1	$\mu\text{A}$
				Full		-10		10	
COM ON leakage current	$I_{COM(ON)}$	$V_{COM} = 0.5\text{ V}$ , $V_{NC}$ or $V_{NO} = \text{Open}$ , or $V_{COM} = 2.3\text{ V}$ , $V_{NC}$ or $V_{NO} = \text{Open}$ ,	Switch ON, See <a href="#">Figure 15</a>	25°C	2.7 V	-20		20	nA
				Full		-50		50	
<b>Digital Control Inputs (IN, <math>\overline{\text{EN}}</math>)<sup>(2)</sup></b>									
Input logic high	$V_{IH}$		Full		1.8		5.5	V	
Input logic low	$V_{IL}$		Full		0		0.6	V	
Input leakage current	$I_{IH}, I_{IL}$	$V_I = 5.5\text{ V or } 0$	25°C	2.7 V	-100	25	100	nA	
			Full		-100		100		

(1) The algebraic convention, whereby the most negative value is a minimum and the most positive value is a maximum.

(2) All unused digital inputs of the device must be held at  $V_+$  or GND to ensure proper device operation. Refer to the TI application report, *Implications of Slow or Floating CMOS Inputs*, literature number SCBA004.



**Electrical Characteristics for 2.5-V Supply<sup>(1)</sup> (continued)**
 $V_+ = 3\text{ V to }3.6\text{ V}$ ,  $T_A = -40^\circ\text{C to }85^\circ\text{C}$  (unless otherwise noted)

PARAMETER	SYMBOL	TEST CONDITIONS	$T_A$	$V_+$	MIN	TYP	MAX	UNIT	
<b>Dynamic</b>									
Turn-on time, IN or $\overline{OE}$	$t_{ON}$	$V_{COM} = V_+$ , $R_L = 50\ \Omega$ ,	$C_L = 35\text{ pF}$ , See <a href="#">Figure 17</a>	25°C	2.5 V	4	7.0	11.5	ns
				Full	2.3 V to 2.7 V	3.5		12	
Turn-off time, IN or $\overline{OE}$	$t_{OFF}$	$V_{COM} = V_+$ , $R_L = 50\ \Omega$ ,	$C_L = 35\text{ pF}$ , See <a href="#">Figure 17</a>	25°C	2.5 V	5	11.5	18.5	ns
				Full	2.3 V to 2.7 V	4		21	
Make-before-break time	$t_{MKB}$	$V_{COM} = V_+$ , $R_L = 50\ \Omega$ ,	$C_L = 35\text{ pF}$ , See <a href="#">Figure 18</a>	25°C	2.5 V	4	6.3	15	ns
				Full	2.3 V to 2.7 V	4		16	
Charge injection	$Q_C$	$V_{GEN} = 0$ , $R_{GEN} = 0$ ,	$C_L = 1\text{ nF}$ , See <a href="#">Figure 22</a>	25°C	2.5 V		7	pC	
NC, NO OFF capacitance	$C_{NC(OFF)}$ , $C_{NO(OFF)}$	$V_{NC}$ or $V_{NO} = V_+$ or GND,	Switch OFF, See <a href="#">Figure 16</a>	25°C	2.5 V		19	pF	
NC, NO ON capacitance	$C_{NC(ON)}$ , $C_{NO(ON)}$	$V_{NC}$ or $V_{NO} = V_+$ or GND,	Switch ON, See <a href="#">Figure 16</a>	25°C	2.5 V		57	pF	
COM OFF capacitance	$C_{COM(OFF)}$	$V_{COM} = V_+$ or GND,	Switch ON, See <a href="#">Figure 16</a>	25°C	2.5 V		36	pF	
COM ON capacitance	$C_{COM(ON)}$	$V_{COM} = V_+$ or GND,	Switch ON, See <a href="#">Figure 16</a>	25°C	2.5 V		57	pF	
Digital input capacitance	$C_I$	$V_I = V_+$ or GND,	See <a href="#">Figure 16</a>	25°C	2.5 V		2	pF	
Bandwidth	BW	$R_L = 50\ \Omega$ ,	Switch ON, See <a href="#">Figure 19</a>	25°C	2.5 V		100	MHz	
OFF isolation	$O_{ISO}$	$R_L = 50\ \Omega$ , $f = 1\text{ MHz}$ ,	Switch OFF, See <a href="#">Figure 20</a>	25°C	2.5 V		-64	dB	
Crosstalk	$X_{TALK}$	$R_L = 50\ \Omega$ , $f = 1\text{ MHz}$ ,	Switch ON, See <a href="#">Figure 21</a>	25°C	2.5 V		-64	dB	
Total harmonic distortion	THD	$R_L = 600\ \Omega$ , $C_L = 50\text{ pF}$ ,	$f = 20\text{ Hz to }20\text{ kHz}$ , See <a href="#">Figure 23</a>	25°C	2.5 V		0.020	%	
<b>Supply</b>									
Positive supply current	$I_+$	$V_I = V_+$ or GND,	Switch ON or OFF	25°C	2.7 V	0.001	0.05	$\mu\text{A}$	
				Full			0.15		

## Electrical Characteristics for 1.8-V Supply<sup>(1)</sup>

$V_+ = 1.65\text{ V to }1.95\text{ V}$ ,  $T_A = -40^\circ\text{C to }85^\circ\text{C}$  (unless otherwise noted)

PARAMETER	SYMBOL	TEST CONDITIONS	$T_A$	$V_+$	MIN	TYP	MAX	UNIT
<b>Analog Switch</b>								
Analog signal range	$V_{COM}, V_{NO}, V_{NC}$				0		$V_+$	V
Peak ON resistance	$r_{peak}$	$0 \leq (V_{NO} \text{ or } V_{NC}) \leq V_+$ , $I_{COM} = -2\text{ mA}$ ,	Switch ON, See Figure 13	25°C Full	1.65 V	5.5	25 30	$\Omega$
ON-state resistance	$r_{on}$	$V_{NO} \text{ or } V_{NC} = 1.5\text{ V}$ , $I_{COM} = -2\text{ mA}$ ,	Switch ON, See Figure 13	25°C Full	1.65 V	2	2.7 3.1	$\Omega$
ON-state resistance matching between channels	$\Delta r_{on}$	$V_{NO} \text{ or } V_{NC} = 1.5\text{ V}$ , $I_{COM} = -2\text{ mA}$ ,	Switch ON, See Figure 13	25°C Full	1.65 V	0.16	0.3 0.3	$\Omega$
ON-state resistance flatness	$r_{on(flat)}$	$0 \leq (V_{NO} \text{ or } V_{NC}) \leq V_+$ , $I_{COM} = -2\text{ mA}$ , $V_{NO} \text{ or } V_{NC} = 0.6\text{ V}, 1.5\text{ V}$ , $I_{COM} = -2\text{ mA}$ ,	Switch ON, See Figure 13	25°C Full	1.65 V	3	3 20 25	$\Omega$
NC, NO OFF leakage current	$I_{NC(OFF)}, I_{NO(OFF)}$	$V_{NC} \text{ or } V_{NO} = 0.3\text{ V}$ , $V_{COM} = 1.65\text{ V}$ , or $V_{NC} \text{ or } V_{NO} = 1.65\text{ V}$ , $V_{COM} = 0.3\text{ V}$ ,	Switch OFF, See Figure 14	25°C Full	1.95 V	-20	1.5 50	20 nA
	$I_{NC(PWROFF)}, I_{NO(PWROFF)}$	$V_{NC} \text{ or } V_{NO} = 0 \text{ to } 1.95\text{ V}$ , $V_{COM} = 1.95\text{ V to } 0$ ,	Switch OFF, See Figure 14	25°C Full	0 V	-1	0.1 10	1 $\mu\text{A}$
NC, NO ON leakage current	$I_{NC(ON)}, I_{NO(ON)}$	$V_{NC} \text{ or } V_{NO} = 0.3\text{ V}$ , $V_{COM} = \text{Open}$ , or $V_{NC} \text{ or } V_{NO} = 1.65\text{ V}$ , $V_{COM} = \text{Open}$ ,	Switch ON, See Figure 15	25°C Full	1.95 V	-20	1.5 50	20 nA
COM OFF leakage current	$I_{COM(OFF)}$	$V_{NC} \text{ or } V_{NO} = 1.65\text{ V}$ , $V_{COM} = 0.3\text{ V}$ , or $V_{NC} \text{ or } V_{NO} = 0.3\text{ V}$ , $V_{COM} = 1.65\text{ V}$ ,	Switch OFF, See Figure 14	25°C Full	1.95 V	-20	1.5 50	20 nA
	$I_{COM(PWROFF)}$	$V_{NC} \text{ or } V_{NO} = 1.95\text{ V to } 0$ , $V_{COM} = 0 \text{ to } 1.95\text{ V}$ ,	Switch OFF, See Figure 14	25°C Full	0 V	-1	0.06 10	1 $\mu\text{A}$
COM ON leakage current	$I_{COM(ON)}$	$V_{NC} \text{ or } V_{NO} = \text{Open}$ , $V_{COM} = 0.3\text{ V}$ , or $V_{NC} \text{ or } V_{NO} = \text{Open}$ , $V_{COM} = 1.65\text{ V}$ ,	Switch ON, See Figure 15	25°C Full	1.95 V	-20	1.5 50	20 nA
<b>Digital Control Inputs (IN, EN)<sup>(2)</sup></b>								
Input logic high	$V_{IH}$			Full		1.5	5.6	V
Input logic low	$V_{IL}$			Full		0	0.6	V
Input leakage current	$I_{IH}, I_{IL}$	$V_I = 5.5\text{ V or } 0$		25°C	1.95 V	-100	25	100
				Full		-100		100

(1) The algebraic convention, whereby the most negative value is a minimum and the most positive value is a maximum

(2) All unused digital inputs of the device must be held at  $V_+$  or GND to ensure proper device operation. Refer to the TI application report, *Implications of Slow or Floating CMOS Inputs*, literature number SCBA004.

**Electrical Characteristics for 1.8-V Supply<sup>(1)</sup> (continued)**
 $V_+ = 1.65\text{ V to }1.95\text{ V}$ ,  $T_A = -40^\circ\text{C to }85^\circ\text{C}$  (unless otherwise noted)

PARAMETER	SYMBOL	TEST CONDITIONS	$T_A$	$V_+$	MIN	TYP	MAX	UNIT	
<b>Dynamic</b>									
Turn-on time, IN or $\overline{OE}$	$t_{ON}$	$V_{COM} = V_+$ , $R_L = 50\ \Omega$ ,	$C_L = 35\text{ pF}$ , See <a href="#">Figure 17</a>	25°C	5 V	5	20.5	ns	
				Full	1.65 V to 1.95 V	4.5	21		
Turn-off time, IN or $\overline{OE}$	$t_{OFF}$	$V_{COM} = V_+$ , $R_L = 50\ \Omega$ ,	$C_L = 35\text{ pF}$ , See <a href="#">Figure 17</a>	25°C	5 V	7	16.5	27.5	ns
				Full	1.65 V to 1.95 V	5	30		
Make-before-break time	$t_{MKB}$	$V_{COM} = V_+$ , $R_L = 50\ \Omega$ ,	$C_L = 35\text{ pF}$ , See <a href="#">Figure 18</a>	25°C	5 V	4	8.3	15	ns
				Full	1.65 V to 1.95 V	4	16		
Charge injection	$Q_C$	$V_{GEN} = 0$ , $R_{GEN} = 0$ ,	$C_L = 1\text{ nF}$ , See <a href="#">Figure 22</a>	25°C	1.8 V	5		pC	
NC, NO OFF capacitance	$C_{NC(OFF)}$ , $C_{NO(OFF)}$	$V_{NC}$ or $V_{NO} = V_+$ or GND,	Switch OFF, See <a href="#">Figure 16</a>	25°C	1.8 V	19		pF	
NC, NO ON capacitance	$C_{NC(ON)}$ , $C_{NO(ON)}$	$V_{NC}$ or $V_{NO} = V_+$ or GND,	Switch ON, See <a href="#">Figure 16</a>	25°C	1.8 V	57		pF	
COM OFF capacitance	$C_{COM(OFF)}$	$V_{COM} = V_+$ or GND,	Switch ON, See <a href="#">Figure 16</a>	25°C	1.8 V	36		pF	
COM ON capacitance	$C_{COM(ON)}$	$V_{COM} = V_+$ or GND,	Switch ON, See <a href="#">Figure 16</a>	25°C	1.8 V	57		pF	
Digital input capacitance	$C_I$	$V_I = V_+$ or GND,	See <a href="#">Figure 16</a>	25°C	1.8 V	2.0		pF	
Bandwidth	BW	$R_L = 50\ \Omega$ ,	Switch ON, See <a href="#">Figure 19</a>	25°C	1.8 V	100		MHz	
OFF isolation	$O_{ISO}$	$R_L = 50\ \Omega$ , $f = 1\text{ MHz}$ ,	Switch OFF, See <a href="#">Figure 20</a>	25°C	1.8 V	-64		dB	
Crosstalk	$X_{TALK}$	$R_L = 50\ \Omega$ , $f = 1\text{ MHz}$ ,	Switch ON, See <a href="#">Figure 21</a>	25°C	1.8 V	-64		dB	
Total harmonic distortion	THD	$R_L = 600\ \Omega$ , $C_L = 50\text{ pF}$ ,	$f = 20\text{ Hz to }20\text{ kHz}$ , See <a href="#">Figure 23</a>	25°C	1.8 V	0.060		%	
<b>Supply</b>									
Positive supply current	$I_+$	$V_I = V_+$ or GND,	Switch ON or OFF	25°C	1.95 V	0.001	0.05	$\mu\text{A}$	
				Full		0.1			

TYPICAL PERFORMANCE

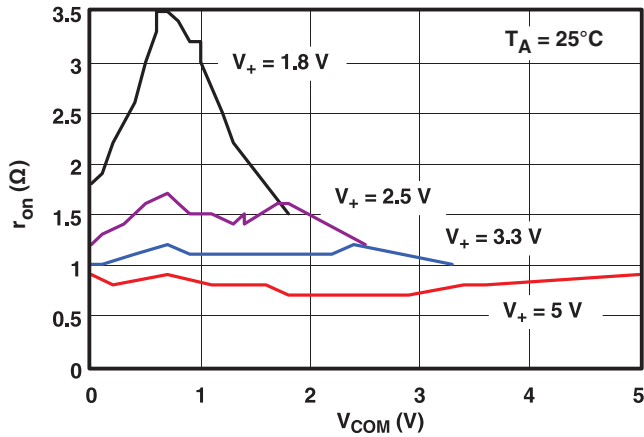


Figure 1.  $r_{on}$  vs  $V_{COM}$

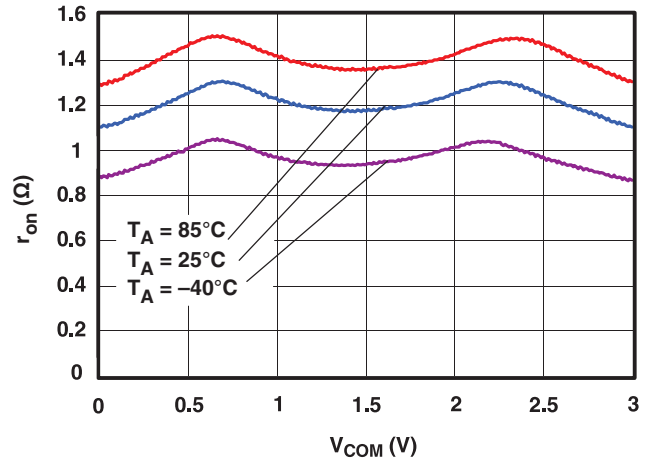


Figure 2.  $r_{on}$  vs  $V_{COM}$  ( $V_+ = 3V$ )

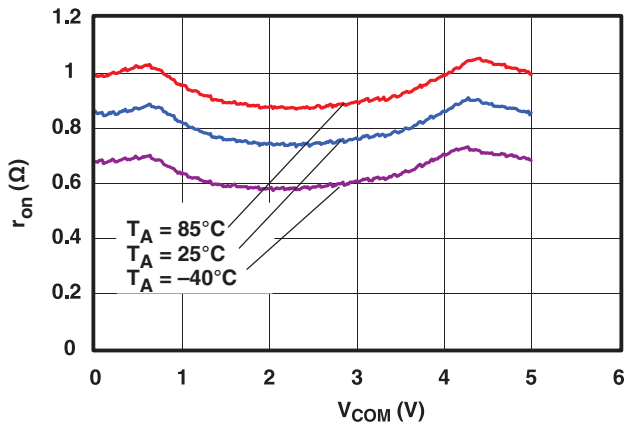


Figure 3.  $r_{on}$  vs  $V_{COM}$  ( $V_+ = 5V$ )

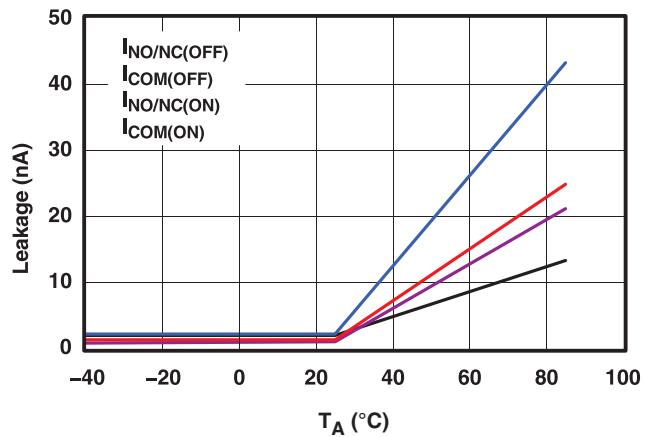


Figure 4. Leakage Current vs Temperature ( $V_+ = 5.5V$ )

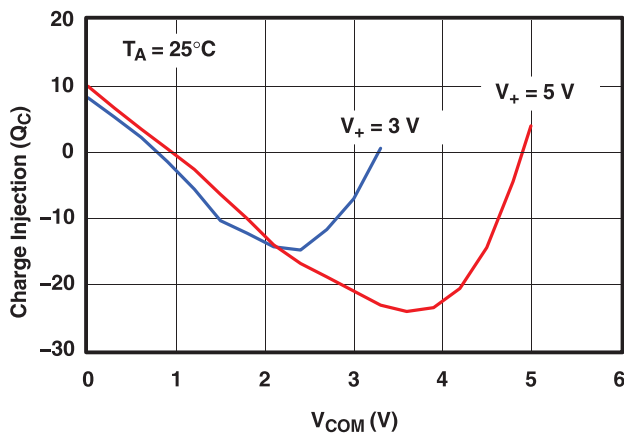


Figure 5. Charge Injection ( $Q_C$ ) vs  $V_{COM}$

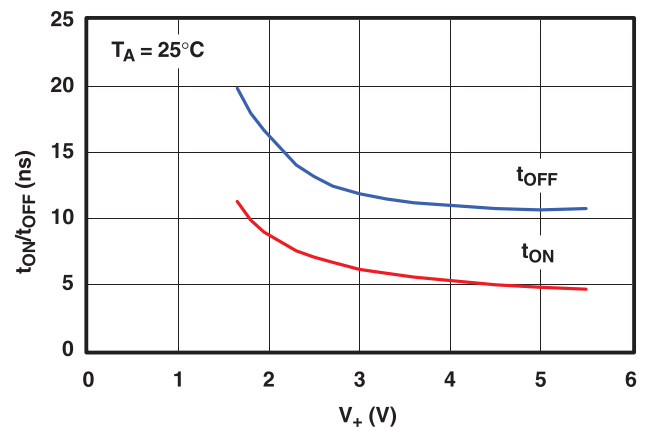


Figure 6.  $t_{ON}$  and  $t_{OFF}$  vs Supply Voltage

TYPICAL PERFORMANCE (continued)

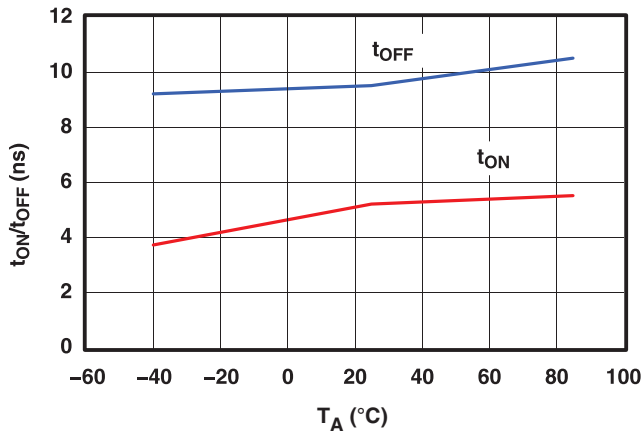


Figure 7.  $t_{ON}$  and  $t_{OFF}$  vs Temperature ( $V_+ = 5\text{ V}$ )

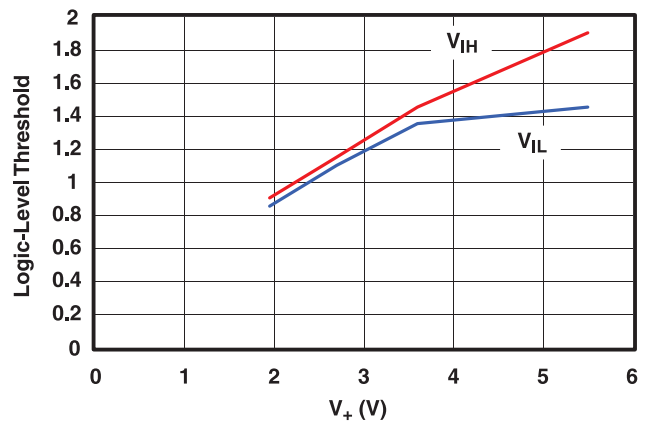


Figure 8. Logic-Level Threshold vs  $V_+$

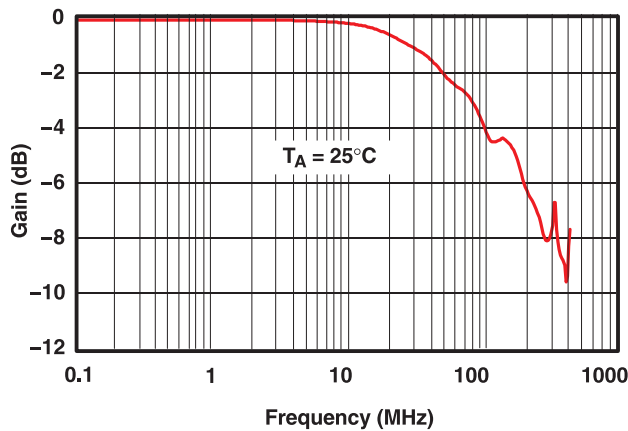


Figure 9. Bandwidth ( $V_+ = 5\text{ V}$ )

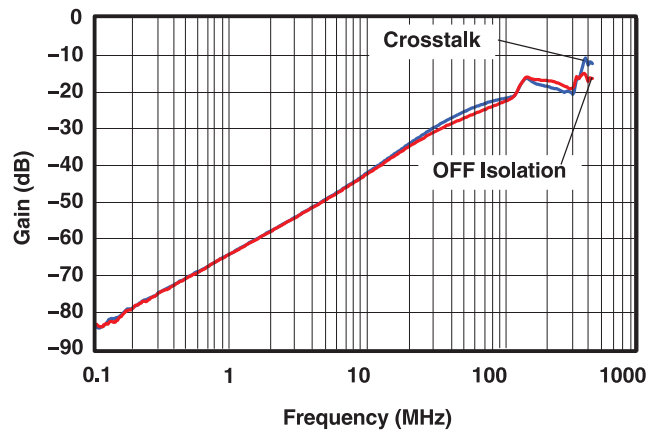


Figure 10. OFF Isolation and Crosstalk ( $V_+ = 5\text{ V}$ )

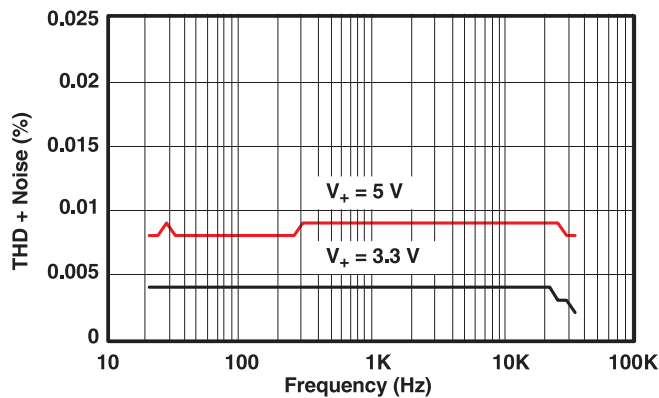


Figure 11. Total Harmonic Distortion (THD) vs Frequency

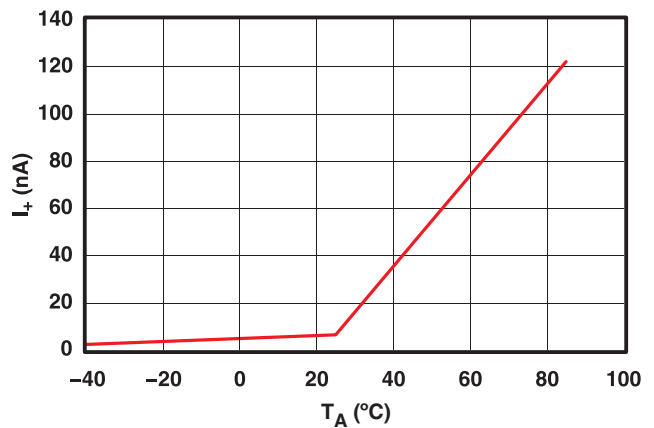


Figure 12. Power Supply Current vs Temperature ( $V_+ = 5\text{ V}$ )

**PIN DESCRIPTION**

PIN NO.	NAME	DESCRIPTION
1	COM	Common
2	$\overline{\text{EN}}$	Enable control input
3	GND	Digital ground
4	GND	Digital ground
5	IN	Digital control to connect the COM to NO or NC
6	NO	Normally open
7	NC	Normally closed
8	$V_+$	Power supply

**PARAMETER DESCRIPTION**

SYMBOL	DESCRIPTION
$V_{\text{COM}}$	Voltage at COM
$V_{\text{NC}}$	Voltage at NC
$V_{\text{NO}}$	Voltage at NO
$r_{\text{on}}$	Resistance between COM and NC or COM and NO ports when the channel is ON
$\Delta r_{\text{on}}$	Difference of $r_{\text{on}}$ between channels in a specific device
$r_{\text{on(Flat)}}$	Difference between the maximum and minimum value of $r_{\text{on}}$ in a channel over the specified range of conditions
$I_{\text{NC(OFF)}}$	Leakage current measured at the NC port, with the corresponding channel (NC to COM) in the OFF state
$I_{\text{NO(OFF)}}$	Leakage current measured at the NO port, with the corresponding channel (NO to COM) in the OFF state
$I_{\text{NC(ON)}}$	Leakage current measured at the NC port, with the corresponding channel (NC to COM) in the ON state and the output (COM) open
$I_{\text{NO(ON)}}$	Leakage current measured at the NO port, with the corresponding channel (NO to COM) in the ON state and the output (COM) open
$I_{\text{COM(ON)}}$	Leakage current measured at the COM port, with the corresponding channel (COM to NO or COM to NC) in the ON state and the output (NC or NO) open
$V_{\text{IH}}$	Minimum input voltage for logic high for the control input (IN)
$V_{\text{IL}}$	Maximum input voltage for logic low for the control input (IN)
$V_{\text{I}}$	Voltage at the control input (IN)
$I_{\text{IH}}, I_{\text{IL}}$	Leakage current measured at the control input (IN)
$t_{\text{ON}}$	Turn-on time for the switch. This parameter is measured under the specified range of conditions and by the propagation delay between the digital control (IN) signal and analog output (COM, NC, or NO) signal when the switch is turning ON.
$t_{\text{OFF}}$	Turn-off time for the switch. This parameter is measured under the specified range of conditions and by the propagation delay between the digital control (IN) signal and analog output (COM, NC, or NO) signal when the switch is turning OFF.
$t_{\text{BBM}}$	Break-before-make time. This parameter is measured under the specified range of conditions and by the propagation delay between the output of two adjacent analog channels (NC and NO) when the control signal changes state.
$Q_{\text{C}}$	Charge injection is a measurement of unwanted signal coupling from the control (IN) input to the analog (NC, NO, or COM) output. This is measured in coulomb (C) and measured by the total charge induced due to switching of the control input. Charge injection, $Q_{\text{C}} = C_{\text{L}} \times \Delta V_{\text{COM}}$ , $C_{\text{L}}$ is the load capacitance and $\Delta V_{\text{COM}}$ is the change in analog output voltage.
$C_{\text{NC(OFF)}}$	Capacitance at the NC port when the corresponding channel (NC to COM) is OFF
$C_{\text{NO(OFF)}}$	Capacitance at the NO port when the corresponding channel (NO to COM) is OFF
$C_{\text{NC(ON)}}$	Capacitance at the NC port when the corresponding channel (NC to COM) is ON
$C_{\text{NO(ON)}}$	Capacitance at the NO port when the corresponding channel (NO to COM) is ON
$C_{\text{COM(ON)}}$	Capacitance at the COM port when the corresponding channel (COM to NC or COM to NO) is ON
$C_{\text{I}}$	Capacitance of control input (IN)
$O_{\text{ISO}}$	OFF isolation of the switch is a measurement of OFF-state switch impedance. This is measured in dB in a specific frequency, with the corresponding channel (NC to COM or NO to COM) in the OFF state.
$X_{\text{TALK}}$	Crosstalk is a measurement of unwanted signal coupling from an ON channel to an OFF channel (NC to NO or NO to NC). This is measured in a specific frequency and in dB.
BW	Bandwidth of the switch. This is the frequency where the gain of an ON channel is –3 dB below the DC gain.
THD	Total harmonic distortion describes the signal distortion caused by the analog switch. This is defined as the ratio of root mean square (RMS) value of the second, third, and higher harmonic to the absolute magnitude of fundamental harmonic.

PARAMETER DESCRIPTION (continued)

SYMBOL	DESCRIPTION
$I_+$	Static power-supply current with the control (IN) pin at $V_+$ or GND

PARAMETER MEASUREMENT INFORMATION

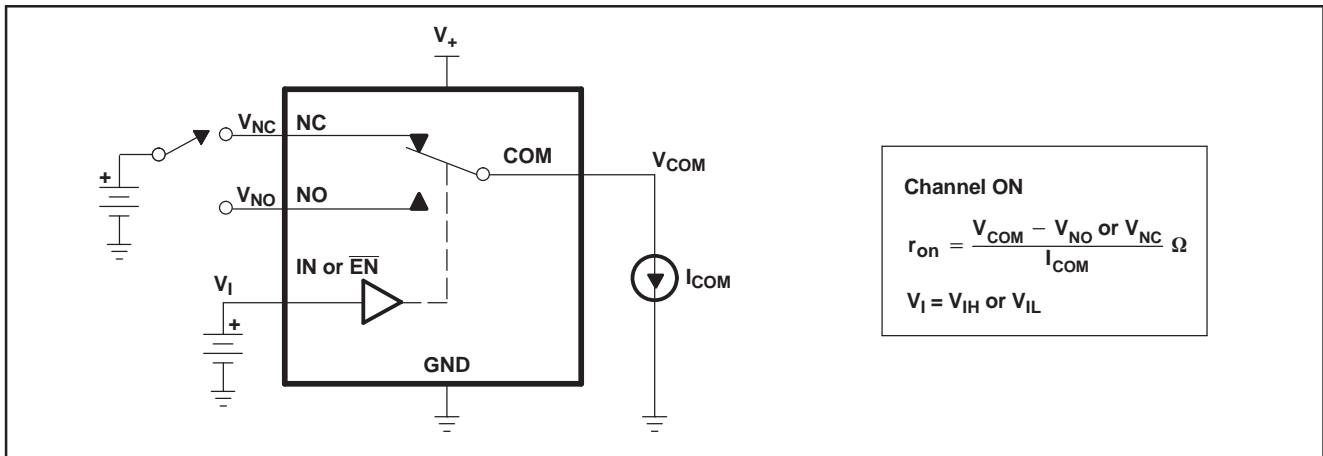


Figure 13. ON-State Resistance ( $r_{on}$ )

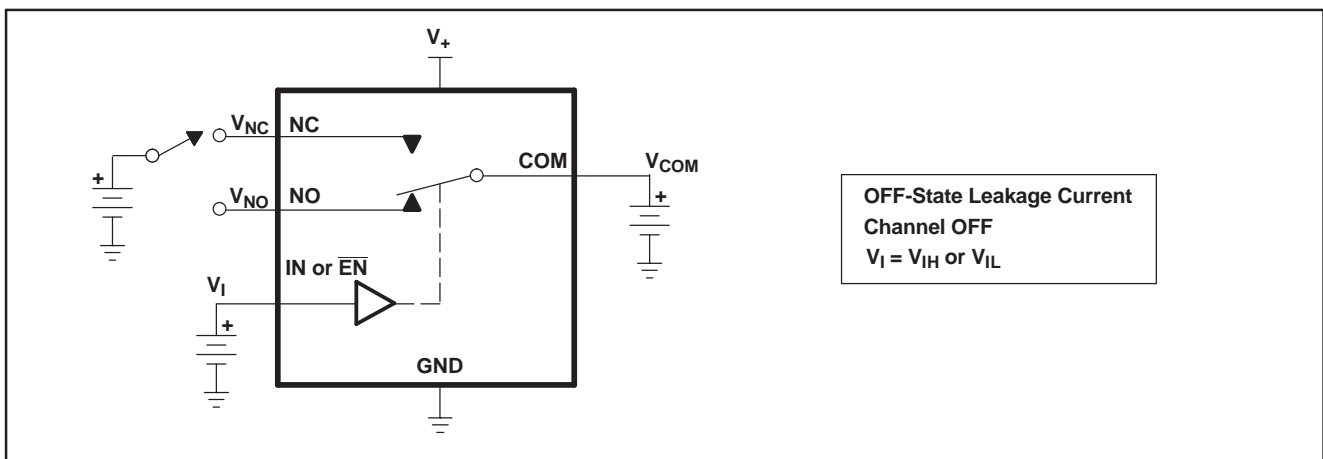


Figure 14. OFF-State Leakage Current ( $I_{NC(OFF)}$ ,  $I_{NO(OFF)}$ ,  $I_{NO(PWROFF)}$ ,  $I_{COM(PWROFF)}$ )

PARAMETER MEASUREMENT INFORMATION (continued)

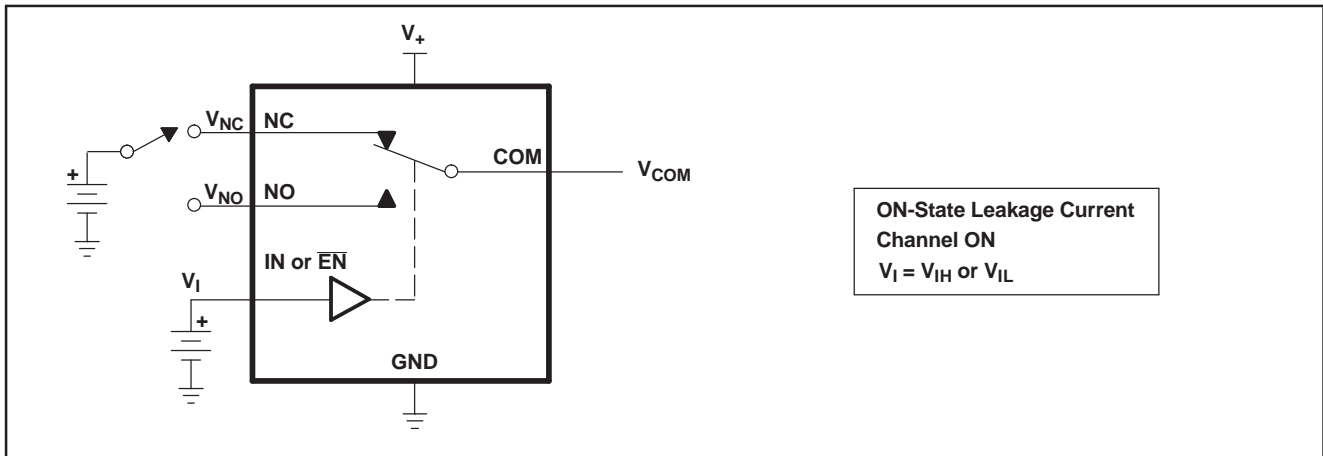


Figure 15. ON-State Leakage Current ( $I_{COM(ON)}$ ,  $I_{NC(ON)}$ ,  $I_{NO(ON)}$ )

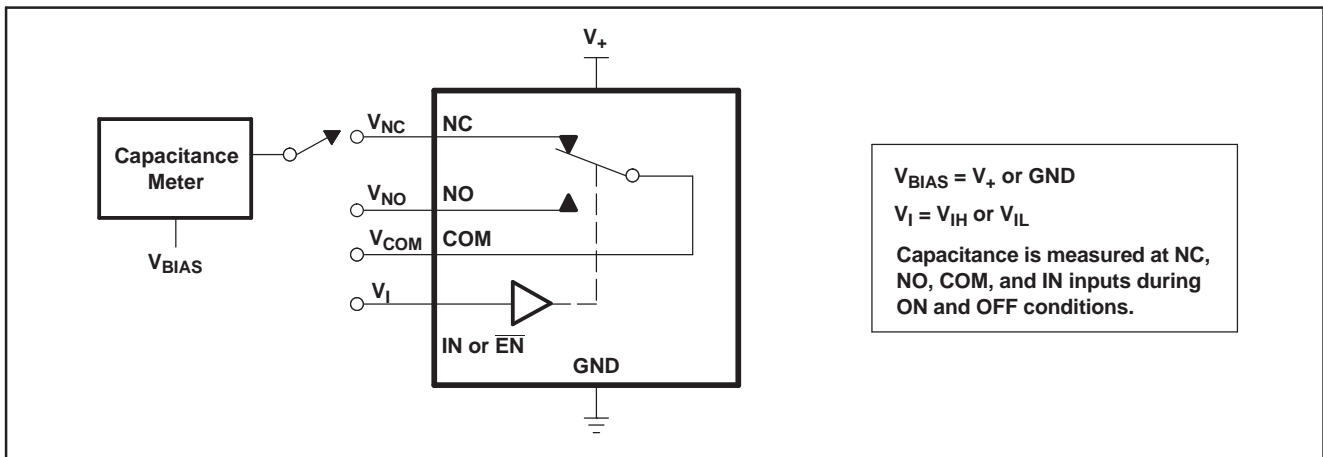
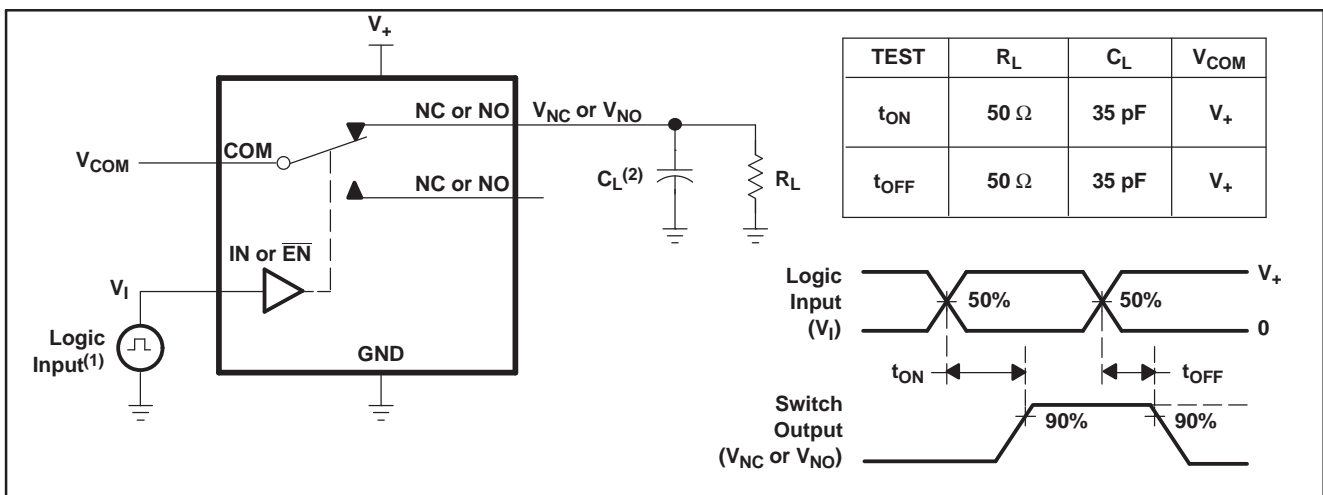


Figure 16. Capacitance ( $C_I$ ,  $C_{COM(OFF)}$ ,  $C_{COM(ON)}$ ,  $C_{NC(OFF)}$ ,  $C_{NO(OFF)}$ ,  $C_{NC(ON)}$ ,  $C_{NO(ON)}$ )

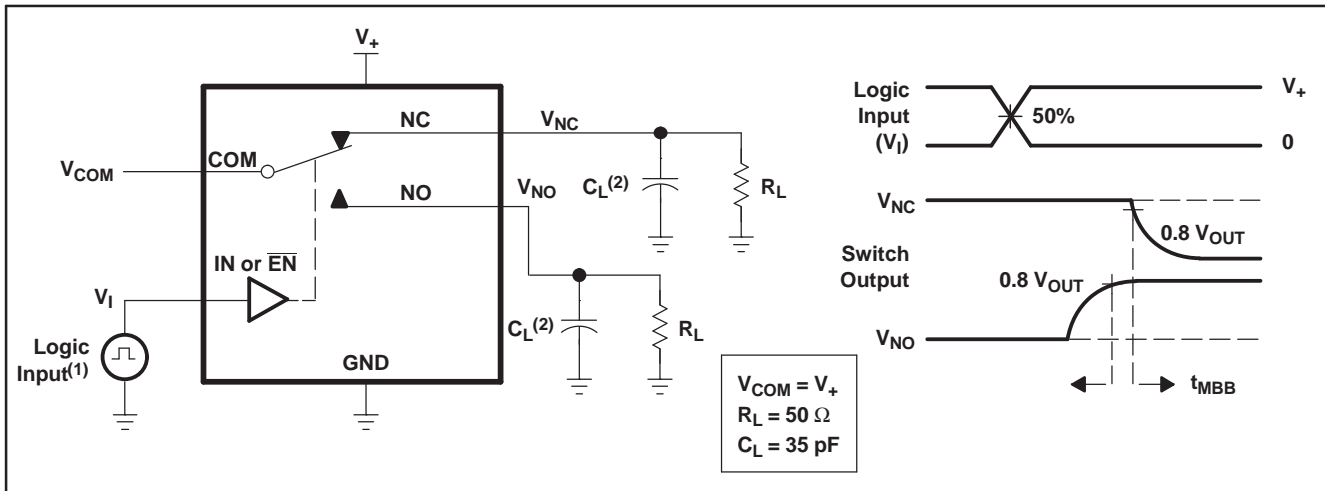


(1) All input pulses are supplied by generators having the following characteristics: PRR ≤ 10 MHz, Z<sub>O</sub> = 50 Ω, t<sub>r</sub> < 5 ns, t<sub>f</sub> < 5 ns.  
 (2) C<sub>L</sub> includes probe and jig capacitance.

Figure 17. Turn-On (t<sub>ON</sub>) and Turn-Off Time (t<sub>OFF</sub>)



PARAMETER MEASUREMENT INFORMATION (continued)



- (1) All input pulses are supplied by generators having the following characteristics: PRR  $\leq$  10 MHz,  $Z_O = 50 \Omega$ ,  $t_r < 5 \text{ ns}$ ,  $t_f < 5 \text{ ns}$ .
- (2)  $C_L$  includes probe and jig capacitance.

Figure 18. Make-Before-Break Time ( $t_{MBB}$ )

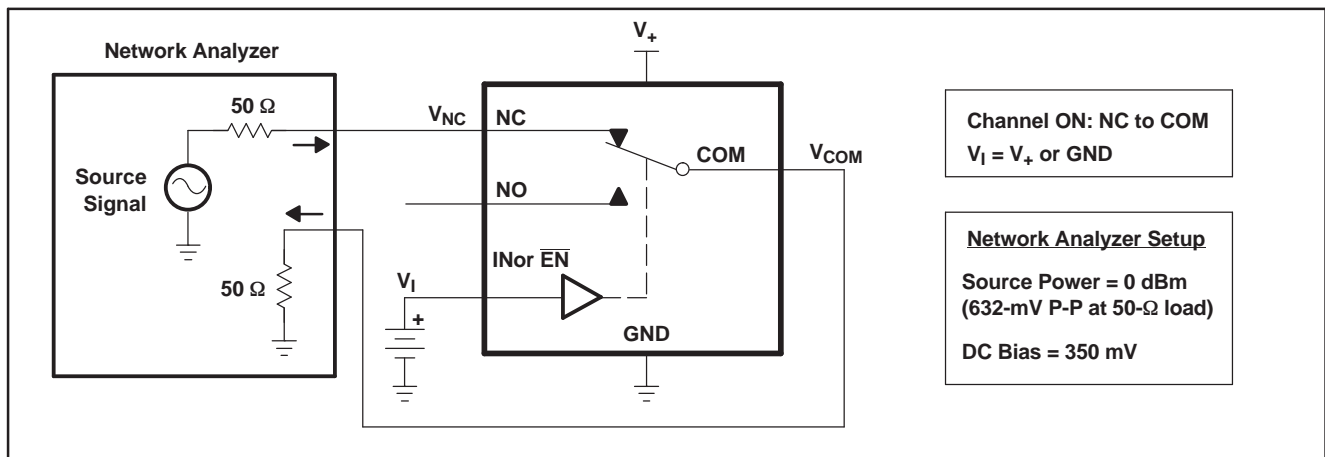


Figure 19. Bandwidth (BW)

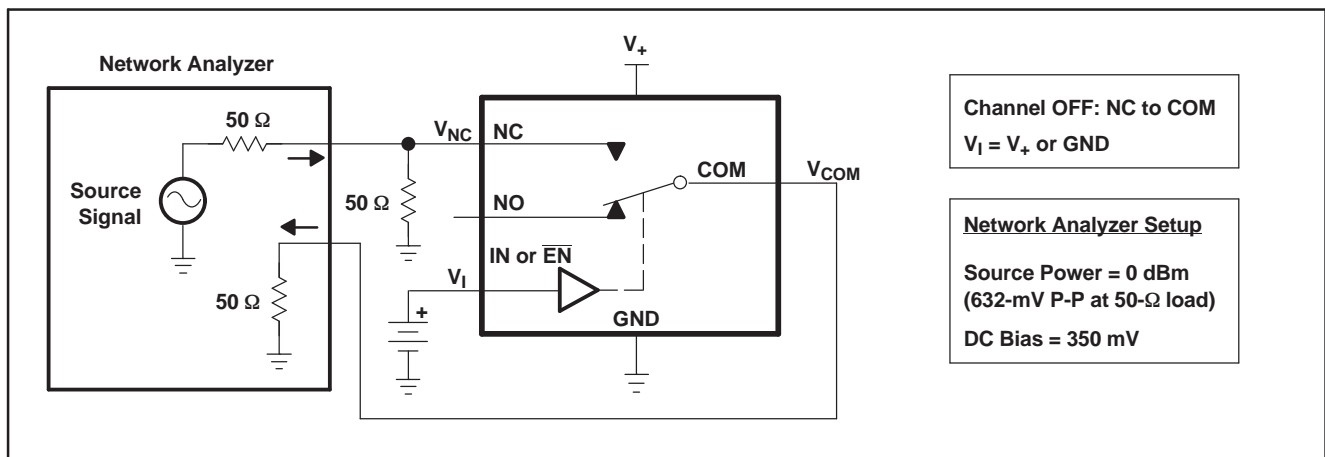
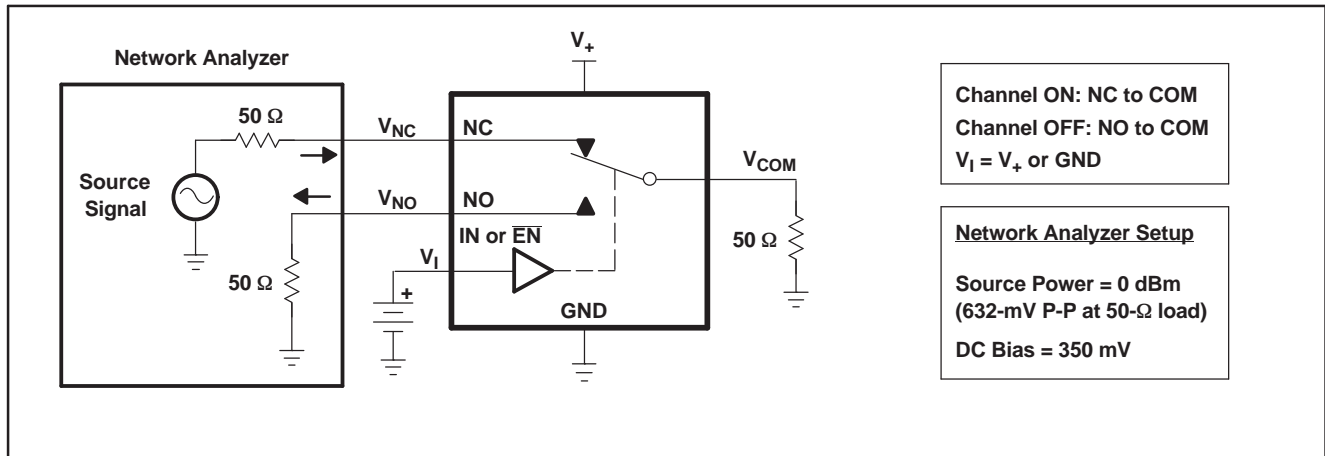
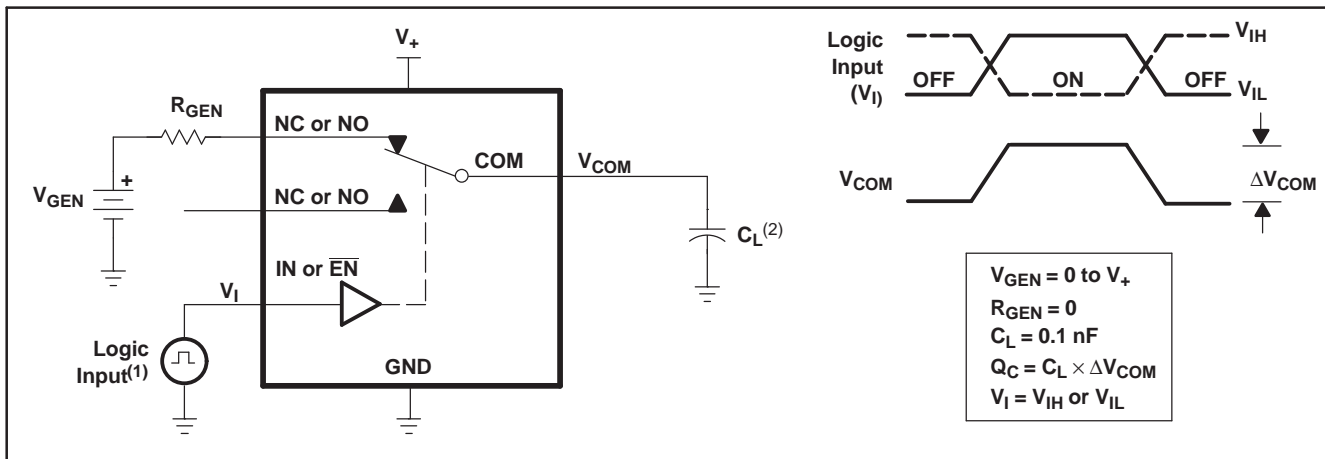


Figure 20. OFF Isolation ( $O_{ISO}$ )

**PARAMETER MEASUREMENT INFORMATION (continued)**



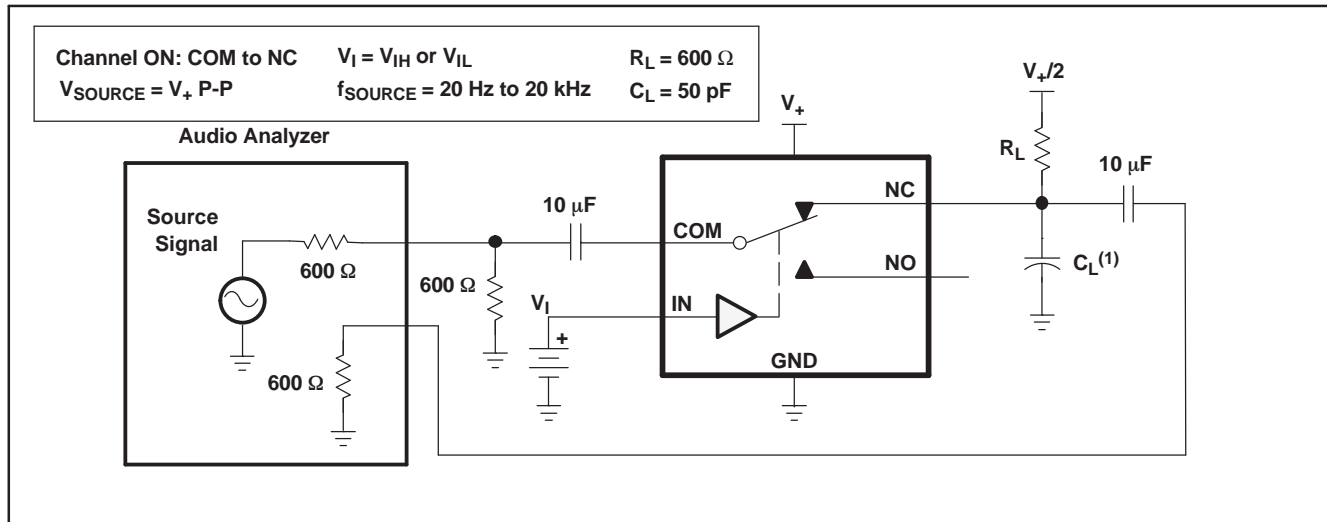
**Figure 21. Crosstalk ( $X_{TALK}$ )**



(1) All input pulses are supplied by generators having the following characteristics: PRR  $\leq$  10 MHz,  $Z_O = 50 \Omega$ ,  $t_r < 5$  ns,  $t_f < 5$  ns.  
 (2)  $C_L$  includes probe and jig capacitance.

**Figure 22. Charge Injection ( $Q_C$ )**

PARAMETER MEASUREMENT INFORMATION (continued)






(1)  $C_L$  includes probe and jig capacitance.

Figure 23. Total Harmonic Distortion (THD)

## REVISION HISTORY

Changes from Revision B (May 2009) to Revision C	Page
• Changed ORDERING INFORMATION Table. ....	1

**PACKAGING INFORMATION**

Orderable Device	Status (1)	Package Type	Package Drawing	Pins	Package Qty	Eco Plan (2)	Lead/Ball Finish (6)	MSL Peak Temp (3)	Op Temp (°C)	Device Marking (4/5)	Samples
TS5A3154DCUR	ACTIVE	VSSOP	DCU	8	3000	Green (RoHS & no Sb/Br)	CU NIPDAU   CU SN	Level-1-260C-UNLIM	-40 to 85	(CF ~ JCFQ ~ JCFR) JZ	
TS5A3154DCURE6	PREVIEW	VSSOP	DCU	8	3000	TBD	Call TI	Call TI	-40 to 85		
TS5A3154DCURG4	ACTIVE	VSSOP	DCU	8	3000	Green (RoHS & no Sb/Br)	CU NIPDAU	Level-1-260C-UNLIM	-40 to 85	JCFR	
TS5A3154YZPR	ACTIVE	DSBGA	YZP	8	3000	Green (RoHS & no Sb/Br)	SNAGCU	Level-1-260C-UNLIM	-40 to 85	(JX7 ~ JXN)	

(1) The marketing status values are defined as follows:

**ACTIVE:** Product device recommended for new designs.

**LIFEBUY:** TI has announced that the device will be discontinued, and a lifetime-buy period is in effect.

**NRND:** Not recommended for new designs. Device is in production to support existing customers, but TI does not recommend using this part in a new design.

**PREVIEW:** Device has been announced but is not in production. Samples may or may not be available.

**OBSOLETE:** TI has discontinued the production of the device.

(2) Eco Plan - The planned eco-friendly classification: Pb-Free (RoHS), Pb-Free (RoHS Exempt), or Green (RoHS & no Sb/Br) - please check <http://www.ti.com/productcontent> for the latest availability information and additional product content details.

**TBD:** The Pb-Free/Green conversion plan has not been defined.

**Pb-Free (RoHS):** TI's terms "Lead-Free" or "Pb-Free" mean semiconductor products that are compatible with the current RoHS requirements for all 6 substances, including the requirement that lead not exceed 0.1% by weight in homogeneous materials. Where designed to be soldered at high temperatures, TI Pb-Free products are suitable for use in specified lead-free processes.

**Pb-Free (RoHS Exempt):** This component has a RoHS exemption for either 1) lead-based flip-chip solder bumps used between the die and package, or 2) lead-based die adhesive used between the die and leadframe. The component is otherwise considered Pb-Free (RoHS compatible) as defined above.

**Green (RoHS & no Sb/Br):** TI defines "Green" to mean Pb-Free (RoHS compatible), and free of Bromine (Br) and Antimony (Sb) based flame retardants (Br or Sb do not exceed 0.1% by weight in homogeneous material)

(3) MSL, Peak Temp. - The Moisture Sensitivity Level rating according to the JEDEC industry standard classifications, and peak solder temperature.

(4) There may be additional marking, which relates to the logo, the lot trace code information, or the environmental category on the device.

(5) Multiple Device Markings will be inside parentheses. Only one Device Marking contained in parentheses and separated by a "~" will appear on a device. If a line is indented then it is a continuation of the previous line and the two combined represent the entire Device Marking for that device.

(6) Lead/Ball Finish - Orderable Devices may have multiple material finish options. Finish options are separated by a vertical ruled line. Lead/Ball Finish values may wrap to two lines if the finish value exceeds the maximum column width.

**Important Information and Disclaimer:** The information provided on this page represents TI's knowledge and belief as of the date that it is provided. TI bases its knowledge and belief on information provided by third parties, and makes no representation or warranty as to the accuracy of such information. Efforts are underway to better integrate information from third parties. TI has taken and continues to take reasonable steps to provide representative and accurate information but may not have conducted destructive testing or chemical analysis on incoming materials and chemicals. TI and TI suppliers consider certain information to be proprietary, and thus CAS numbers and other limited information may not be available for release.

In no event shall TI's liability arising out of such information exceed the total purchase price of the TI part(s) at issue in this document sold by TI to Customer on an annual basis.

**TAPE AND REEL INFORMATION**

**QUADRANT ASSIGNMENTS FOR PIN 1 ORIENTATION IN TAPE**


\*All dimensions are nominal

Device	Package Type	Package Drawing	Pins	SPQ	Reel Diameter (mm)	Reel Width W1 (mm)	A0 (mm)	B0 (mm)	K0 (mm)	P1 (mm)	W (mm)	Pin1 Quadrant
TS5A3154DCUR	VSSOP	DCU	8	3000	178.0	9.5	2.25	3.35	1.05	4.0	8.0	Q3
TS5A3154DCUR	VSSOP	DCU	8	3000	180.0	8.4	2.25	3.35	1.05	4.0	8.0	Q3
TS5A3154DCURG4	VSSOP	DCU	8	3000	180.0	8.4	2.25	3.35	1.05	4.0	8.0	Q3
TS5A3154YZPR	DSBGA	YZP	8	3000	178.0	9.2	1.02	2.02	0.63	4.0	8.0	Q1

**TAPE AND REEL BOX DIMENSIONS**

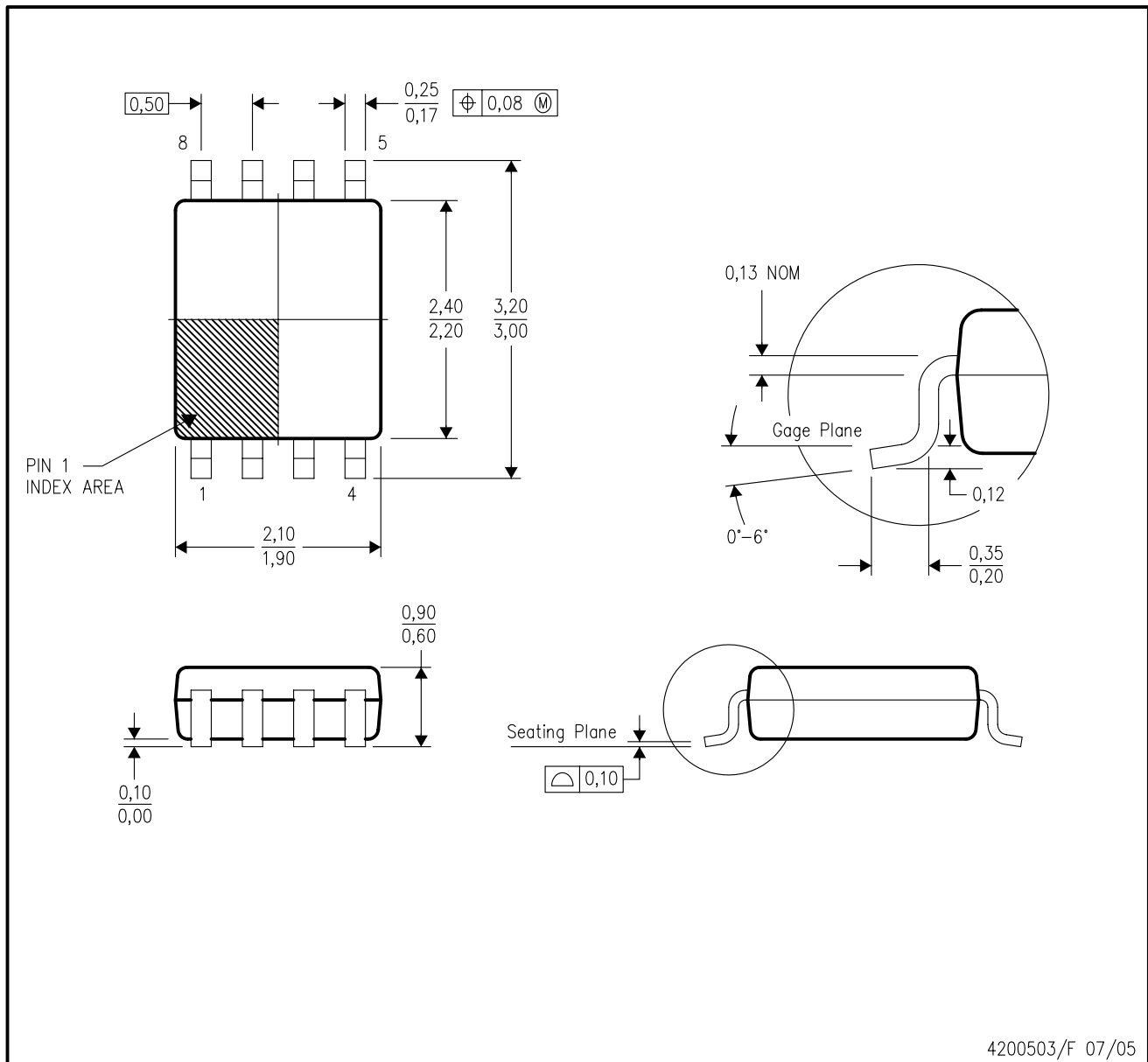

\*All dimensions are nominal

Device	Package Type	Package Drawing	Pins	SPQ	Length (mm)	Width (mm)	Height (mm)
TS5A3154DCUR	VSSOP	DCU	8	3000	202.0	201.0	28.0
TS5A3154DCUR	VSSOP	DCU	8	3000	202.0	201.0	28.0
TS5A3154DCURG4	VSSOP	DCU	8	3000	202.0	201.0	28.0
TS5A3154YZPR	DSBGA	YZP	8	3000	220.0	220.0	35.0



DCU (R-PDSO-G8)

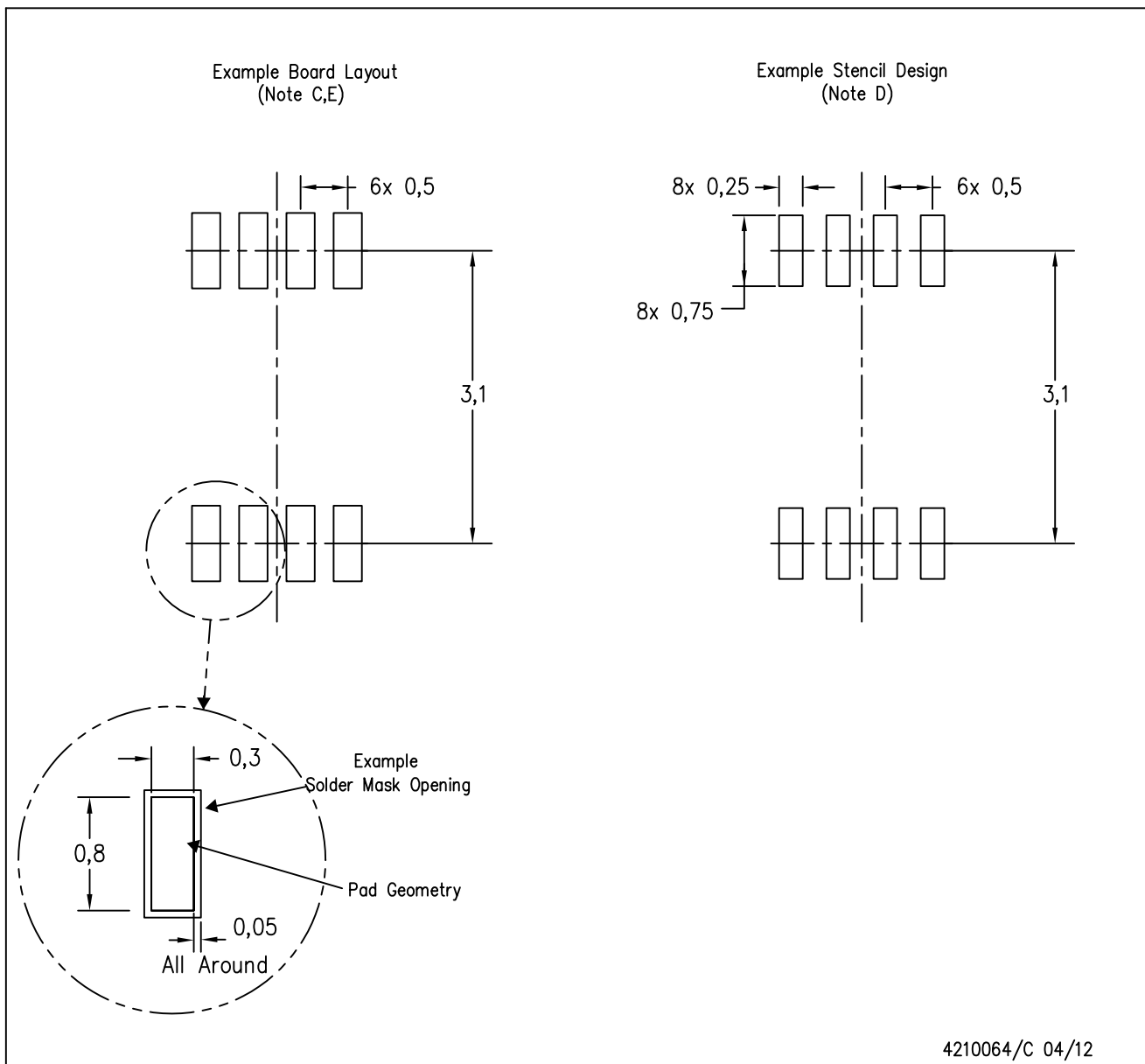
PLASTIC SMALL-OUTLINE PACKAGE (DIE DOWN)



- NOTES:
- A. All linear dimensions are in millimeters.
  - B. This drawing is subject to change without notice.
  - C. Body dimensions do not include mold flash or protrusion. Mold flash and protrusion shall not exceed 0.15 per side.
  - D. Falls within JEDEC MO-187 variation CA.

DCU (S-PDSO-G8)

PLASTIC SMALL OUTLINE PACKAGE (DIE DOWN)



- NOTES:
- A. All linear dimensions are in millimeters.
  - B. This drawing is subject to change without notice.
  - C. Publication IPC-7351 is recommended for alternate designs.
  - D. Laser cutting apertures with trapezoidal walls and also rounding corners will offer better paste release. Customers should contact their board assembly site for stencil design recommendations. Refer to IPC-7525 for other stencil recommendations.
  - E. Customers should contact their board fabrication site for solder mask tolerances between and around signal pads.

YZP0008



# PACKAGE OUTLINE

DSBGA - 0.5 mm max height

DIE SIZE BALL GRID ARRAY



4223082/A 07/2016

NOTES:

1. All linear dimensions are in millimeters. Any dimensions in parenthesis are for reference only. Dimensioning and tolerancing per ASME Y14.5M.
2. This drawing is subject to change without notice.

# EXAMPLE BOARD LAYOUT

YZP0008

DSBGA - 0.5 mm max height

DIE SIZE BALL GRID ARRAY



LAND PATTERN EXAMPLE  
SCALE:40X



SOLDER MASK DETAILS  
NOT TO SCALE

4223082/A 07/2016

NOTES: (continued)

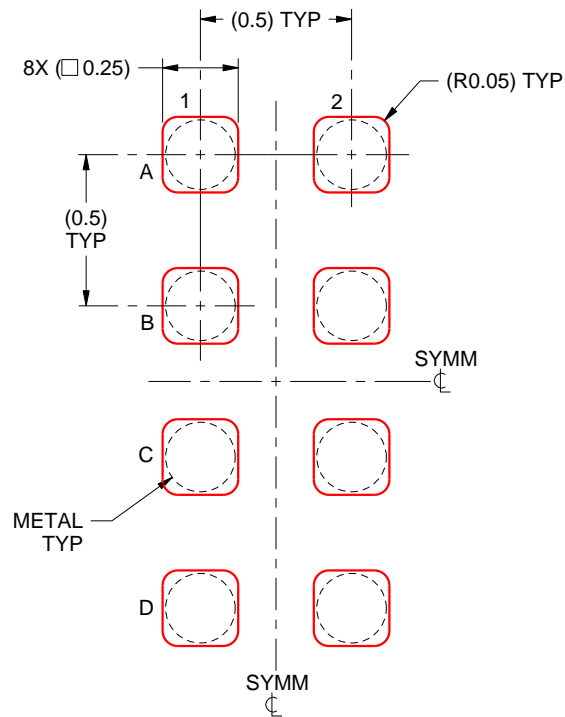
- Final dimensions may vary due to manufacturing tolerance considerations and also routing constraints. For more information, see Texas Instruments literature number SNVA009 ([www.ti.com/lit/snva009](http://www.ti.com/lit/snva009)).

# EXAMPLE STENCIL DESIGN

YZP0008

DSBGA - 0.5 mm max height

DIE SIZE BALL GRID ARRAY



SOLDER PASTE EXAMPLE  
BASED ON 0.1 mm THICK STENCIL  
SCALE:40X

4223082/A 07/2016

NOTES: (continued)

4. Laser cutting apertures with trapezoidal walls and rounded corners may offer better paste release.

## IMPORTANT NOTICE

Texas Instruments Incorporated (TI) reserves the right to make corrections, enhancements, improvements and other changes to its semiconductor products and services per JESD46, latest issue, and to discontinue any product or service per JESD48, latest issue. Buyers should obtain the latest relevant information before placing orders and should verify that such information is current and complete.

TI's published terms of sale for semiconductor products (<http://www.ti.com/sc/docs/stdterms.htm>) apply to the sale of packaged integrated circuit products that TI has qualified and released to market. Additional terms may apply to the use or sale of other types of TI products and services.

Reproduction of significant portions of TI information in TI data sheets is permissible only if reproduction is without alteration and is accompanied by all associated warranties, conditions, limitations, and notices. TI is not responsible or liable for such reproduced documentation. Information of third parties may be subject to additional restrictions. Resale of TI products or services with statements different from or beyond the parameters stated by TI for that product or service voids all express and any implied warranties for the associated TI product or service and is an unfair and deceptive business practice. TI is not responsible or liable for any such statements.

Buyers and others who are developing systems that incorporate TI products (collectively, "Designers") understand and agree that Designers remain responsible for using their independent analysis, evaluation and judgment in designing their applications and that Designers have full and exclusive responsibility to assure the safety of Designers' applications and compliance of their applications (and of all TI products used in or for Designers' applications) with all applicable regulations, laws and other applicable requirements. Designer represents that, with respect to their applications, Designer has all the necessary expertise to create and implement safeguards that (1) anticipate dangerous consequences of failures, (2) monitor failures and their consequences, and (3) lessen the likelihood of failures that might cause harm and take appropriate actions. Designer agrees that prior to using or distributing any applications that include TI products, Designer will thoroughly test such applications and the functionality of such TI products as used in such applications.

TI's provision of technical, application or other design advice, quality characterization, reliability data or other services or information, including, but not limited to, reference designs and materials relating to evaluation modules, (collectively, "TI Resources") are intended to assist designers who are developing applications that incorporate TI products; by downloading, accessing or using TI Resources in any way, Designer (individually or, if Designer is acting on behalf of a company, Designer's company) agrees to use any particular TI Resource solely for this purpose and subject to the terms of this Notice.

TI's provision of TI Resources does not expand or otherwise alter TI's applicable published warranties or warranty disclaimers for TI products, and no additional obligations or liabilities arise from TI providing such TI Resources. TI reserves the right to make corrections, enhancements, improvements and other changes to its TI Resources. TI has not conducted any testing other than that specifically described in the published documentation for a particular TI Resource.

Designer is authorized to use, copy and modify any individual TI Resource only in connection with the development of applications that include the TI product(s) identified in such TI Resource. NO OTHER LICENSE, EXPRESS OR IMPLIED, BY ESTOPPEL OR OTHERWISE TO ANY OTHER TI INTELLECTUAL PROPERTY RIGHT, AND NO LICENSE TO ANY TECHNOLOGY OR INTELLECTUAL PROPERTY RIGHT OF TI OR ANY THIRD PARTY IS GRANTED HEREIN, including but not limited to any patent right, copyright, mask work right, or other intellectual property right relating to any combination, machine, or process in which TI products or services are used. Information regarding or referencing third-party products or services does not constitute a license to use such products or services, or a warranty or endorsement thereof. Use of TI Resources may require a license from a third party under the patents or other intellectual property of the third party, or a license from TI under the patents or other intellectual property of TI.

TI RESOURCES ARE PROVIDED "AS IS" AND WITH ALL FAULTS. TI DISCLAIMS ALL OTHER WARRANTIES OR REPRESENTATIONS, EXPRESS OR IMPLIED, REGARDING RESOURCES OR USE THEREOF, INCLUDING BUT NOT LIMITED TO ACCURACY OR COMPLETENESS, TITLE, ANY EPIDEMIC FAILURE WARRANTY AND ANY IMPLIED WARRANTIES OF MERCHANTABILITY, FITNESS FOR A PARTICULAR PURPOSE, AND NON-INFRINGEMENT OF ANY THIRD PARTY INTELLECTUAL PROPERTY RIGHTS. TI SHALL NOT BE LIABLE FOR AND SHALL NOT DEFEND OR INDEMNIFY DESIGNER AGAINST ANY CLAIM, INCLUDING BUT NOT LIMITED TO ANY INFRINGEMENT CLAIM THAT RELATES TO OR IS BASED ON ANY COMBINATION OF PRODUCTS EVEN IF DESCRIBED IN TI RESOURCES OR OTHERWISE. IN NO EVENT SHALL TI BE LIABLE FOR ANY ACTUAL, DIRECT, SPECIAL, COLLATERAL, INDIRECT, PUNITIVE, INCIDENTAL, CONSEQUENTIAL OR EXEMPLARY DAMAGES IN CONNECTION WITH OR ARISING OUT OF TI RESOURCES OR USE THEREOF, AND REGARDLESS OF WHETHER TI HAS BEEN ADVISED OF THE POSSIBILITY OF SUCH DAMAGES.

Unless TI has explicitly designated an individual product as meeting the requirements of a particular industry standard (e.g., ISO/TS 16949 and ISO 26262), TI is not responsible for any failure to meet such industry standard requirements.

Where TI specifically promotes products as facilitating functional safety or as compliant with industry functional safety standards, such products are intended to help enable customers to design and create their own applications that meet applicable functional safety standards and requirements. Using products in an application does not by itself establish any safety features in the application. Designers must ensure compliance with safety-related requirements and standards applicable to their applications. Designer may not use any TI products in life-critical medical equipment unless authorized officers of the parties have executed a special contract specifically governing such use. Life-critical medical equipment is medical equipment where failure of such equipment would cause serious bodily injury or death (e.g., life support, pacemakers, defibrillators, heart pumps, neurostimulators, and implantables). Such equipment includes, without limitation, all medical devices identified by the U.S. Food and Drug Administration as Class III devices and equivalent classifications outside the U.S.

TI may expressly designate certain products as completing a particular qualification (e.g., Q100, Military Grade, or Enhanced Product). Designers agree that it has the necessary expertise to select the product with the appropriate qualification designation for their applications and that proper product selection is at Designers' own risk. Designers are solely responsible for compliance with all legal and regulatory requirements in connection with such selection.

Designer will fully indemnify TI and its representatives against any damages, costs, losses, and/or liabilities arising out of Designer's non-compliance with the terms and provisions of this Notice.