

LM2678 SIMPLE SWITCHER® High Efficiency 5A Step-Down Voltage Regulator

Check for Samples: [LM2678](#)

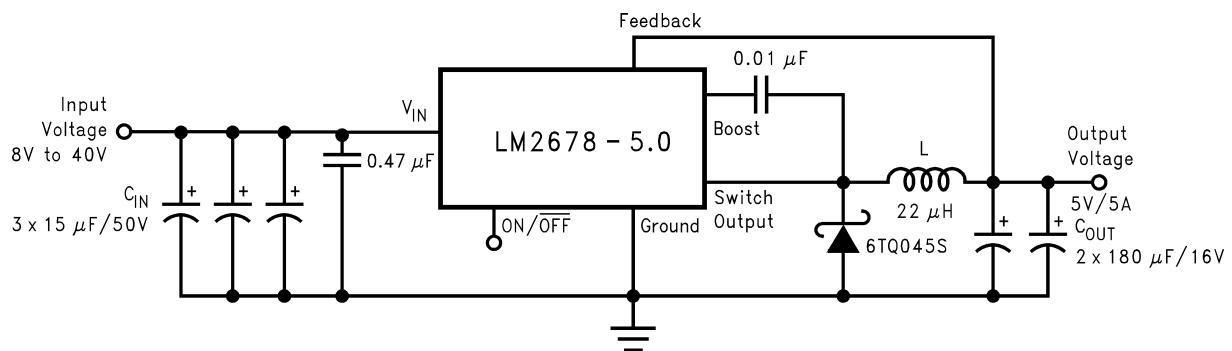
FEATURES

- Efficiency Up to 92%
- Simple and Easy to Design with (Using Off-The-Shelf External Components)
- 120 mΩ DMOS Output Switch
- 3.3V, 5V and 12V Fixed Output and Adjustable (1.2V to 37V) Versions
- 50μA Standby Current When Switched OFF
- ±2% Maximum Output Tolerance Over Full Line and Load Conditions
- Wide Input Voltage Range: 8V to 40V
- 260 KHz Fixed Frequency Internal Oscillator
- –40 to +125°C Operating Junction Temperature Range

APPLICATIONS

- Simple to Design, High Efficiency (>90%) Step-Down Switching Regulators
- Efficient System Pre-Regulator for Linear Voltage Regulators
- Battery Chargers

Typical Application



DESCRIPTION

The LM2678 series of regulators are monolithic integrated circuits which provide all of the active functions for a step-down (buck) switching regulator capable of driving up to 5A loads with excellent line and load regulation characteristics. High efficiency (>90%) is obtained through the use of a low ON-resistance DMOS power switch. The series consists of fixed output voltages of 3.3V, 5V and 12V and an adjustable output version.

The SIMPLE SWITCHER® concept provides for a complete design using a minimum number of external components. A high fixed frequency oscillator (260KHz) allows the use of physically smaller sized components. A family of standard inductors for use with the LM2678 are available from several manufacturers to greatly simplify the design process.

The LM2678 series also has built in thermal shutdown, current limiting and an ON/OFF control input that can power down the regulator to a low 50μA quiescent current standby condition. The output voltage is ensured to a ±2% tolerance. The clock frequency is controlled to within a ±11% tolerance.



Please be aware that an important notice concerning availability, standard warranty, and use in critical applications of Texas Instruments semiconductor products and disclaimers thereto appears at the end of this data sheet.

SIMPLE SWITCHER, Switchers Made Simple are registered trademarks of Texas Instruments.

All other trademarks are the property of their respective owners.

Connection Diagrams

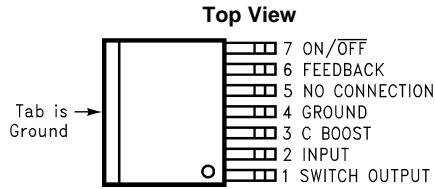


Figure 1. DDPAK Package
See Package Number KTW0007B

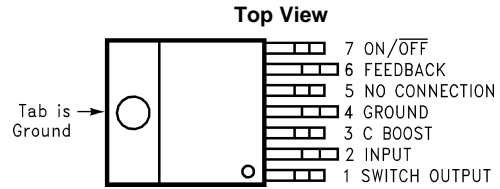
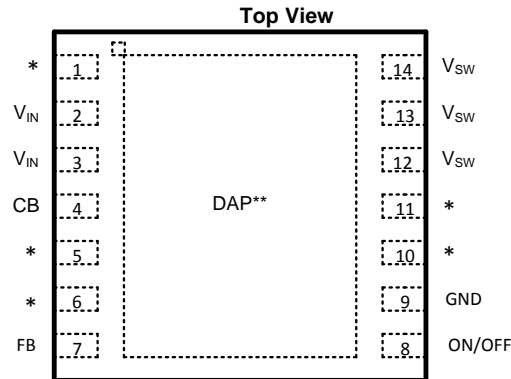


Figure 2. TO-220 Package
See Package Number NDZ0007B



* No Connections

** Connect to Pin 9 on PCB

Figure 3. VSON-14 Package
See Package Number NHM0014A



These devices have limited built-in ESD protection. The leads should be shorted together or the device placed in conductive foam during storage or handling to prevent electrostatic damage to the MOS gates.

Absolute Maximum Ratings ⁽¹⁾ ⁽²⁾

| | | |
|---|-------------|--------------------|
| Input Supply Voltage | | 45V |
| ON/OFF Pin Voltage | | -0.1V to 6V |
| Switch Voltage to Ground ⁽³⁾ | | -1V to V_{IN} |
| Boost Pin Voltage | | $V_{SW} + 8V$ |
| Feedback Pin Voltage | | -0.3V to 14V |
| Power Dissipation | | Internally Limited |
| ESD ⁽⁴⁾ | | 2 kV |
| Storage Temperature Range | | -65°C to 150°C |
| Soldering Temperature | Wave | 4 sec, 260°C |
| | Infrared | 10 sec, 240°C |
| | Vapor Phase | 75 sec, 219°C |

- (1) Absolute Maximum Ratings are limits beyond which damage to the device may occur. Operating Ratings indicate conditions under which of the device is ensured. Operating Ratings do not imply ensured performance limits. For ensured performance limits and associated test condition, see the Electrical Characteristics tables.
- (2) If Military/Aerospace specified devices are required, please contact the Texas Instruments Sales Office/Distributors for availability and specifications.
- (3) The absolute maximum specification of the 'Switch Voltage to Ground' applies to DC voltage. An extended negative voltage limit of -10V applies to a pulse of up to 20 ns, -6V of 60 ns and -3V of up to 100 ns.
- (4) ESD was applied using the human-body model, a 100pF capacitor discharged through a 1.5 kΩ resistor into each pin.

Operating Ratings

| | |
|--|----------------|
| Supply Voltage | 8V to 40V |
| Junction Temperature Range (T _J) | -40°C to 125°C |

Electrical Characteristics

LM2678-3.3

Limits appearing in **bold type face** apply over the entire junction temperature range of operation, -40°C to 125°C.

Specifications appearing in normal type apply for T_A = T_J = 25°C.

| Parameter | Test Conditions | Typ ⁽¹⁾ | Min ⁽²⁾ | Max ⁽²⁾ | Units |
|------------------|--|--------------------|---------------------|---------------------|-------|
| V _{OUT} | Output Voltage V _{IN} = 8V to 40V, 100mA ≤ I _{OUT} ≤ 5A | 3.3 | 3.234/ 3.201 | 3.366/ 3.399 | V |
| η | Efficiency V _{IN} = 12V, I _{LOAD} = 5A | 82 | | | % |

(1) Typical values are determined with T_A = T_J = 25°C and represent the most likely norm.

(2) All limits are ensured at room temperature (standard type face) and at **temperature extremes (bold type face)**. All room temperature limits are 100% tested during production with T_A = T_J = 25°C. All limits at temperature extremes are ensured via correlation using standard Quality Control (SQC) methods. All limits are used to calculate Average Outgoing Quality Level (AOQL).

LM2678-5.0

| Parameter | Test Conditions | Typ ⁽¹⁾ | Min ⁽²⁾ | Max ⁽²⁾ | Units |
|------------------|--|--------------------|---------------------|---------------------|-------|
| V _{OUT} | Output Voltage V _{IN} = 8V to 40V, 100mA ≤ I _{OUT} ≤ 5A | 5.0 | 4.900/ 4.850 | 5.100/ 5.150 | V |
| η | Efficiency V _{IN} = 12V, I _{LOAD} = 5A | 84 | | | % |

(1) Typical values are determined with T_A = T_J = 25°C and represent the most likely norm.

(2) All limits are ensured at room temperature (standard type face) and at **temperature extremes (bold type face)**. All room temperature limits are 100% tested during production with T_A = T_J = 25°C. All limits at temperature extremes are ensured via correlation using standard Quality Control (SQC) methods. All limits are used to calculate Average Outgoing Quality Level (AOQL).

LM2678-12

| Parameter | Test Conditions | Typ ⁽¹⁾ | Min ⁽²⁾ | Max ⁽²⁾ | Units |
|------------------|---|--------------------|---------------------|---------------------|-------|
| V _{OUT} | Output Voltage V _{IN} = 15V to 40V, 100mA ≤ I _{OUT} ≤ 5A | 12 | 11.76/ 11.64 | 12.24/ 12.36 | V |
| η | Efficiency V _{IN} = 24V, I _{LOAD} = 5A | 92 | | | % |

(1) Typical values are determined with T_A = T_J = 25°C and represent the most likely norm.

(2) All limits are ensured at room temperature (standard type face) and at **temperature extremes (bold type face)**. All room temperature limits are 100% tested during production with T_A = T_J = 25°C. All limits at temperature extremes are ensured via correlation using standard Quality Control (SQC) methods. All limits are used to calculate Average Outgoing Quality Level (AOQL).

LM2678-ADJ

| Parameter | Test Conditions | Typ ⁽¹⁾ | Min ⁽²⁾ | Max ⁽²⁾ | Units |
|-----------------|--|--------------------|---------------------|---------------------|-------|
| V _{FB} | Feedback Voltage V _{IN} = 8V to 40V, 100mA ≤ I _{OUT} ≤ 5A V _{OUT} Programmed for 5V | 1.21 | 1.186/ 1.174 | 1.234/ 1.246 | V |
| η | Efficiency V _{IN} = 12V, I _{LOAD} = 5A | 84 | | | % |

(1) Typical values are determined with T_A = T_J = 25°C and represent the most likely norm.

(2) All limits are ensured at room temperature (standard type face) and at **temperature extremes (bold type face)**. All room temperature limits are 100% tested during production with T_A = T_J = 25°C. All limits at temperature extremes are ensured via correlation using standard Quality Control (SQC) methods. All limits are used to calculate Average Outgoing Quality Level (AOQL).

All Output Voltage Versions Electrical Characteristics

Limits appearing in **bold type face** apply over the entire junction temperature range of operation, -40°C to 125°C . Specifications appearing in normal type apply for $T_A = T_J = 25^{\circ}\text{C}$. Unless otherwise specified $V_{IN}=12\text{V}$ for the 3.3V, 5V and Adjustable versions and $V_{IN}=24\text{V}$ for the 12V version.

| Parameter | | Test Conditions | Typ | Min | Max | Units |
|--------------------------|---------------------------|---|------|-----------------|--------------------|-----------------------------|
| DEVICE PARAMETERS | | | | | | |
| I_Q | Quiescent Current | $V_{FEEDBACK} = 8\text{V}$ For 3.3V, 5.0V, and ADJ Versions $V_{FEEDBACK} = 15\text{V}$ For 12V Versions | 4.2 | | 6 | mA |
| I_{STBY} | Standby Quiescent Current | ON/OFF Pin = 0V | 50 | | 100/ 150 | μA |
| I_{CL} | Current Limit | | 7 | 6.1/5.75 | 8.3/8.75 | A |
| I_L | Output Leakage Current | $V_{IN} = 40\text{V}$, ON/OFF Pin = 0V, $V_{SWITCH} = 0\text{V}$, $V_{SWITCH} = -1\text{V}$ | 16 | | 200 15 | μA mA |
| $R_{DS(ON)}$ | Switch On-Resistance | $I_{SWITCH} = 5\text{A}$ | 0.12 | | 0.14/ 0.225 | Ω |
| f_O | Oscillator Frequency | Measured at Switch Pin | 260 | 225 | 280 | kHz |
| D | Duty Cycle | Maximum Duty Cycle | 91 | | | % |
| | | Minimum Duty Cycle | 0 | | | % |
| I_{BIAS} | Feedback Bias Current | $V_{FEEDBACK} = 1.3\text{V}$ ADJ Version Only | 85 | | | nA |
| $V_{ON/OFF}$ | ON/OFF Threshold Voltage | | 1.4 | 0.8 | 2.0 | V |
| $I_{ON/OFF}$ | ON/OFF Input Current | ON/OFF Input = 0V | 20 | | 45 | μA |
| θ_{JA} | Thermal Resistance | T Package, Junction to Ambient ⁽¹⁾ | 65 | | | $^{\circ}\text{C}/\text{W}$ |
| θ_{JA} | | T Package, Junction to Ambient ⁽²⁾ | 45 | | | |
| θ_{JC} | | T Package, Junction to Case | 2 | | | |
| θ_{JA} | | S Package, Junction to Ambient ⁽³⁾ | 56 | | | |
| θ_{JA} | | S Package, Junction to Ambient ⁽⁴⁾ | 35 | | | |
| θ_{JA} | | S Package, Junction to Ambient ⁽⁵⁾ | 26 | | | |
| θ_{JC} | | S Package, Junction to Case | 2 | | | |
| θ_{JA} | | SD Package, Junction to Ambient ⁽⁶⁾ | 55 | | | |
| θ_{JA} | | SD Package, Junction to Ambient ⁽⁷⁾ | 29 | | | |
| | | | | | | |

- Junction to ambient thermal resistance (no external heat sink) for the 7 lead TO-220 package mounted vertically, with $\frac{1}{2}$ inch leads in a socket, or on a PC board with minimum copper area.
- Junction to ambient thermal resistance (no external heat sink) for the 7 lead TO-220 package mounted vertically, with $\frac{1}{2}$ inch leads soldered to a PC board containing approximately 4 square inches of (1 oz.) copper area surrounding the leads.
- Junction to ambient thermal resistance for the 7 lead DDPAK mounted horizontally against a PC board area of 0.136 square inches (the same size as the DDPAK package) of 1 oz. (0.0014 in. thick) copper.
- Junction to ambient thermal resistance for the 7 lead DDPAK mounted horizontally against a PC board area of 0.4896 square inches (3.6 times the area of the DDPAK package) of 1 oz. (0.0014 in. thick) copper.
- Junction to ambient thermal resistance for the 7 lead DDPAK mounted horizontally against a PC board copper area of 1.0064 square inches (7.4 times the area of the DDPAK package) of 1 oz. (0.0014 in. thick) copper. Additional copper area will reduce thermal resistance further. See the thermal model in Switchers Made Simple[®] software.
- Junction to ambient thermal resistance for the 14-lead VSON mounted on a PC board copper area equal to the die attach paddle.
- Junction to ambient thermal resistance for the 14-lead VSON mounted on a PC board copper area using 12 vias to a second layer of copper equal to die attach paddle. Additional copper area will reduce thermal resistance further. For layout recommendations, refer to Application Note AN-1187 at www.ti.com/lscs/ti/analog/powermanagement/power_portal.page.

Typical Performance Characteristics

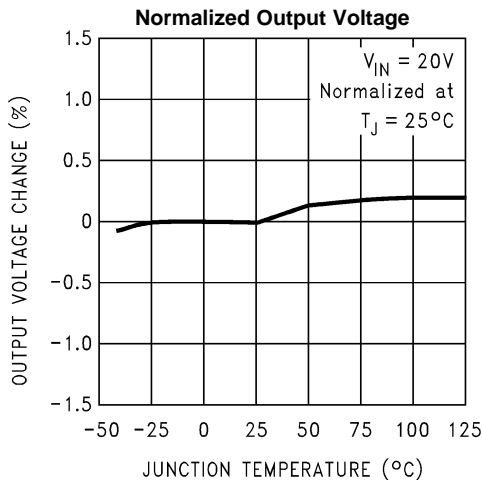


Figure 4.

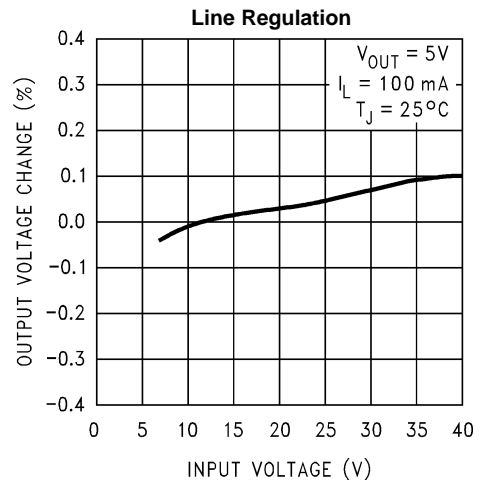


Figure 5.

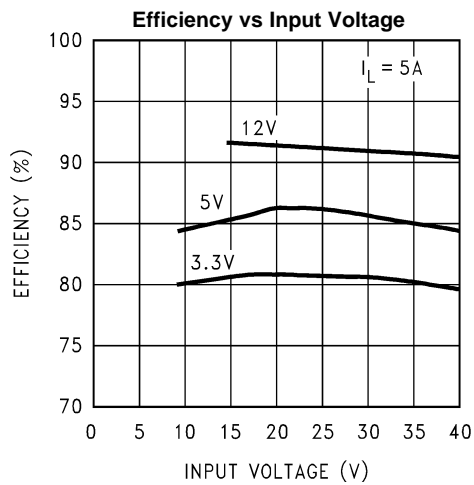


Figure 6.

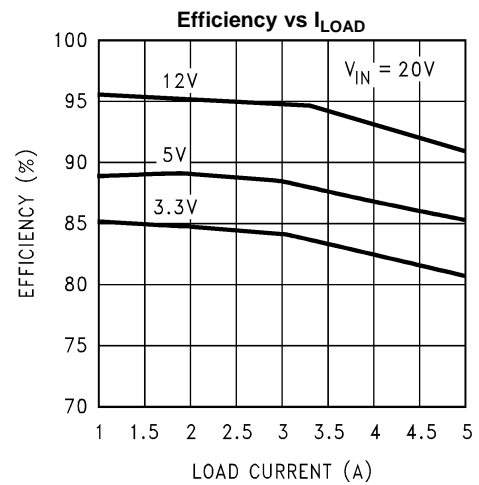


Figure 7.

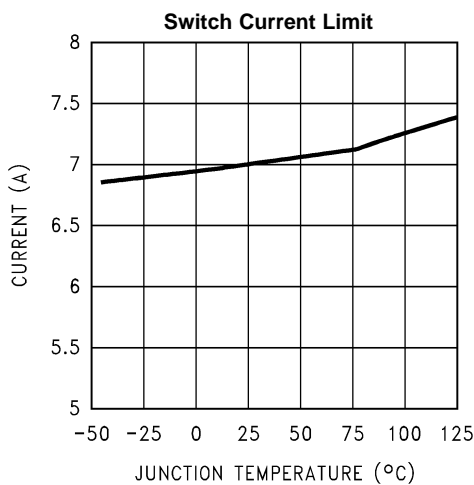


Figure 8.

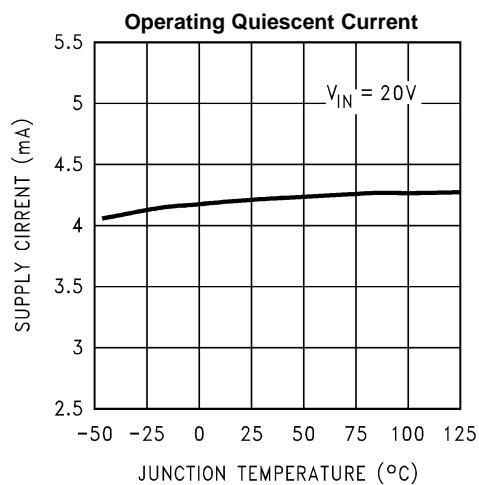


Figure 9.

Typical Performance Characteristics (continued)

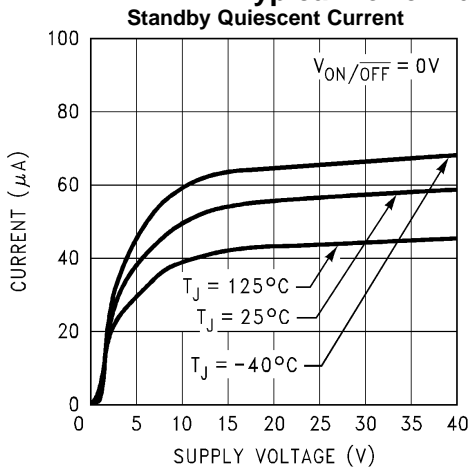


Figure 10.

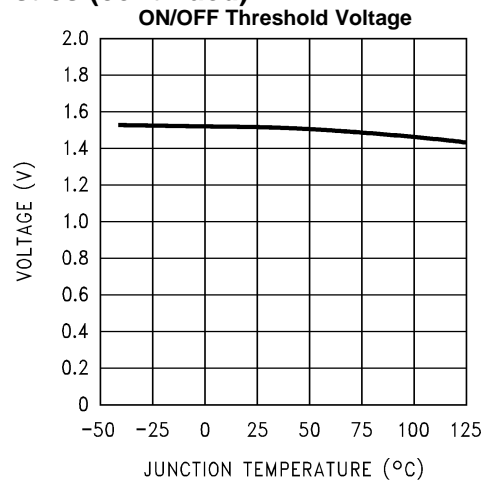


Figure 11.

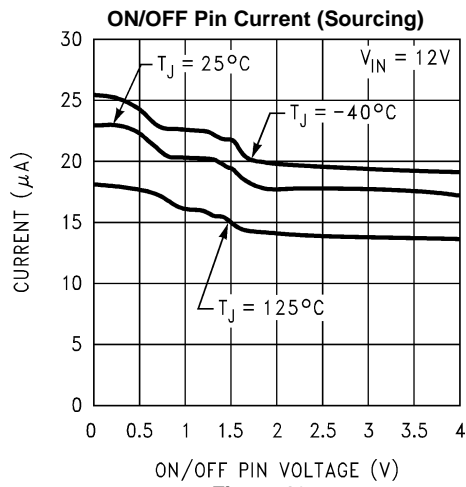


Figure 12.

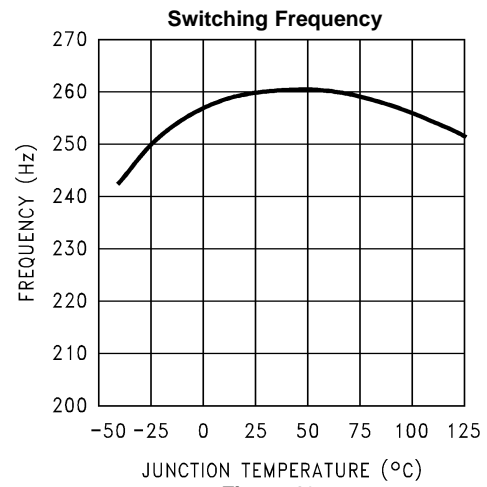


Figure 13.

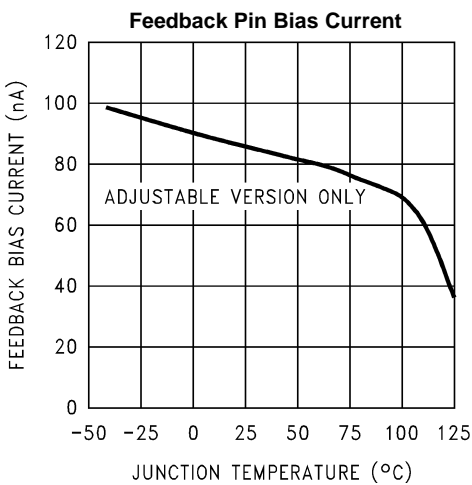


Figure 14.

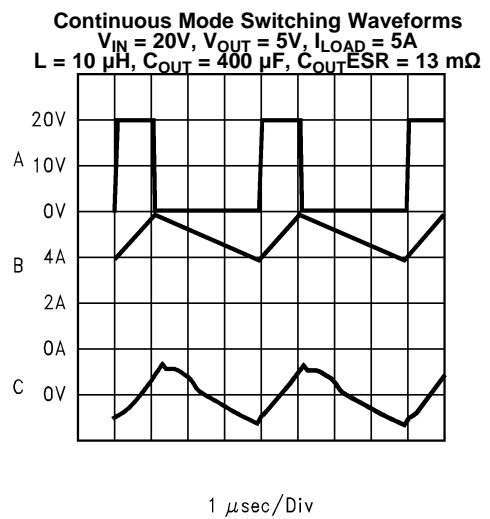
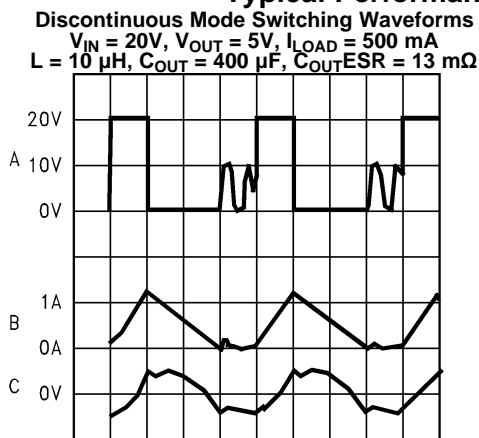


Figure 15. Horizontal Time Base: 1 µs/div
 A. V_{SW} Pin Voltage, 10 V/div.
 B. Inductor Current, 2 A/div
 C. Output Ripple Voltage, 20 mV/div AC-Coupled

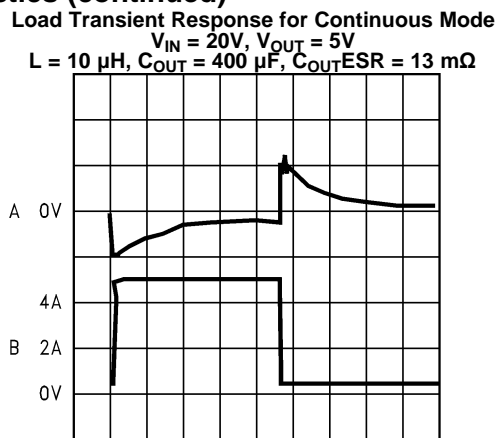
Typical Performance Characteristics (continued)



1 $\mu\text{sec}/\text{Div}$

- A. V_{SW} Pin Voltage, 10 V/div.
- B. Inductor Current, 1 A/div
- C. Output Ripple Voltage, 20 mV/div AC-Coupled

Figure 16. Horizontal Time Base: 1 $\mu\text{s}/\text{iv}$

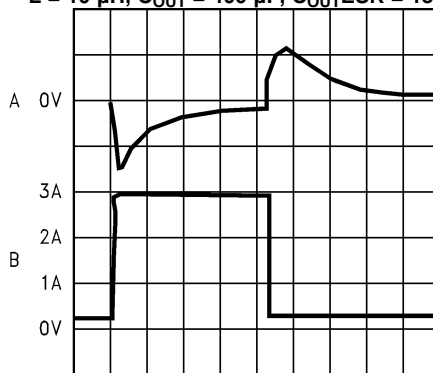


100 $\mu\text{sec}/\text{Div}$

- A. Output Voltage, 100 mV/div, AC-Coupled.
- B. Load Current: 500 mA to 5A Load Pulse

Figure 17. Horizontal Time Base: 100 $\mu\text{s}/\text{div}$

Load Transient Response for Discontinuous Mode
 $V_{IN} = 20V, V_{OUT} = 5V, \text{ vs}$
 $L = 10\ \mu\text{H}, C_{OUT} = 400\ \mu\text{F}, C_{OUTESR} = 13\ \text{m}\Omega$

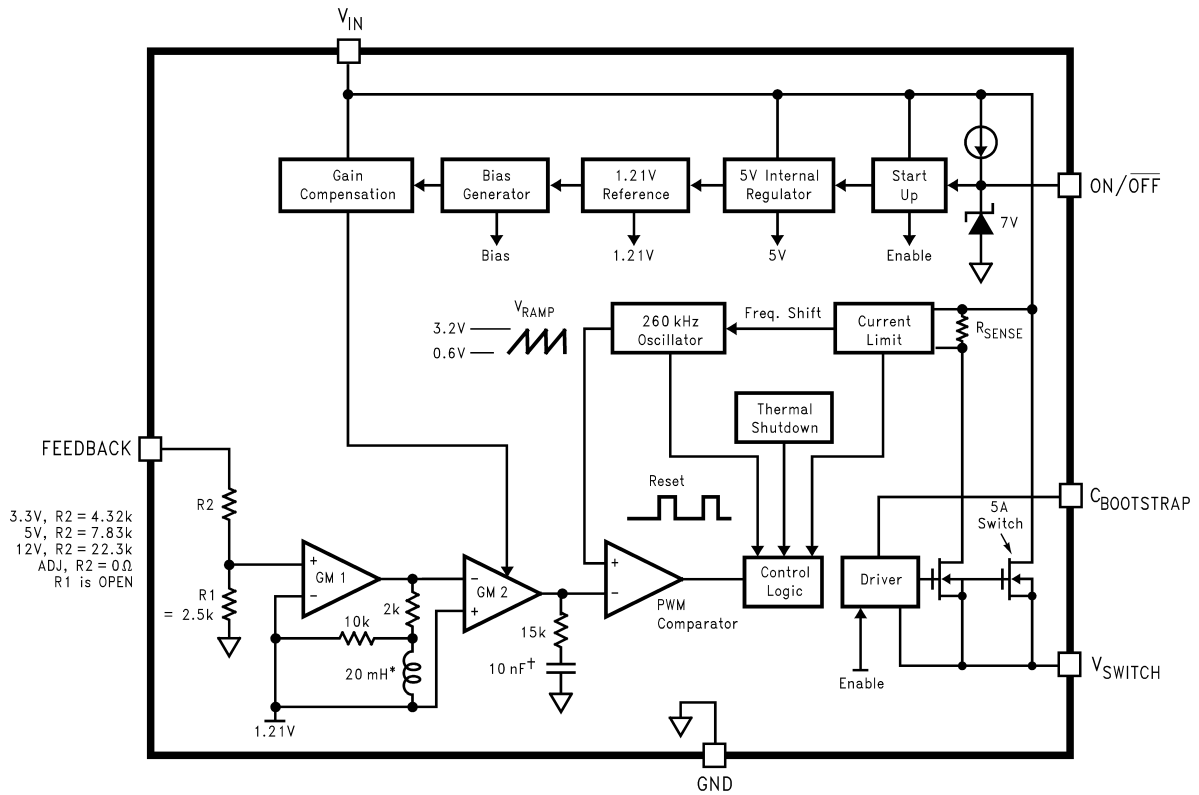


200 $\mu\text{sec}/\text{Div}$

- A. Output Voltage, 100 mV/div, AC-Coupled.
- B. Load Current: 200 mA to 3A Load Pulse

Figure 18. Horizontal Time Base: 200 $\mu\text{s}/\text{div}$

Block Diagram



* Active Inductor Patent Number 5,514,947
 † Active Capacitor Patent Number 5,382,918

APPLICATION HINTS

The LM2678 provides all of the active functions required for a step-down (buck) switching regulator. The internal power switch is a DMOS power MOSFET to provide power supply designs with high current capability, up to 5A, and highly efficient operation.

The LM2678 is part of the **SIMPLE SWITCHER**[®] family of power converters. A complete design uses a minimum number of external components, which have been pre-determined from a variety of manufacturers. Using either this data sheet or a design software program called **LM267X Made Simple** (version 2.0) a complete switching power supply can be designed quickly. The software is provided free of charge and can be downloaded from Texas Instrument's Internet site located at <http://www.ti.com>.

SWITCH OUTPUT

This is the output of a power MOSFET switch connected directly to the input voltage. The switch provides energy to an inductor, an output capacitor and the load circuitry under control of an internal pulse-width-modulator (PWM). The PWM controller is internally clocked by a fixed 260KHz oscillator. In a standard step-down application the duty cycle (Time ON/Time OFF) of the power switch is proportional to the ratio of the power supply output voltage to the input voltage. The voltage on pin 1 switches between V_{in} (switch ON) and below ground by the voltage drop of the external Schottky diode (switch OFF).

INPUT

The input voltage for the power supply is connected to pin 2. In addition to providing energy to the load the input voltage also provides bias for the internal circuitry of the LM2678. For ensured performance the input voltage must be in the range of 8V to 40V. For best performance of the power supply the input pin should always be bypassed with an input capacitor located close to pin 2.

C BOOST

A capacitor must be connected from pin 3 to the switch output, pin 1. This capacitor boosts the gate drive to the internal MOSFET above V_{in} to fully turn it ON. This minimizes conduction losses in the power switch to maintain high efficiency. The recommended value for C Boost is 0.01 μ F.

GROUND

This is the ground reference connection for all components in the power supply. In fast-switching, high-current applications such as those implemented with the LM2678, it is recommended that a broad ground plane be used to minimize signal coupling throughout the circuit.

FEEDBACK

This is the input to a two-stage high gain amplifier, which drives the PWM controller. It is necessary to connect pin 6 to the actual output of the power supply to set the dc output voltage. For the fixed output devices (3.3V, 5V and 12V outputs), a direct wire connection to the output is all that is required as internal gain setting resistors are provided inside the LM2678. For the adjustable output version two external resistors are required to set the dc output voltage. For stable operation of the power supply it is important to prevent coupling of any inductor flux to the feedback input.

ON/OFF

This input provides an electrical ON/OFF control of the power supply. Connecting this pin to ground or to any voltage less than 0.8V will completely turn OFF the regulator. The current drain from the input supply when OFF is only 50 μ A. Pin 7 has an internal pull-up current source of approximately 20 μ A and a protection clamp zener diode of 7V to ground. When electrically driving the ON/OFF pin the high voltage level for the ON condition should not exceed the 6V absolute maximum limit. When ON/OFF control is not required pin 7 should be left open circuited.

DAP (VSON PACKAGE)

The Die Attach Pad (DAP) can and should be connected to PCB Ground plane/island. For CAD and assembly guidelines refer to [Application Note AN-1187](http://www.ti.com/lscs/ti/analog/powermanagement/power_portal.page) at www.ti.com/lscs/ti/analog/powermanagement/power_portal.page.

DESIGN CONSIDERATIONS

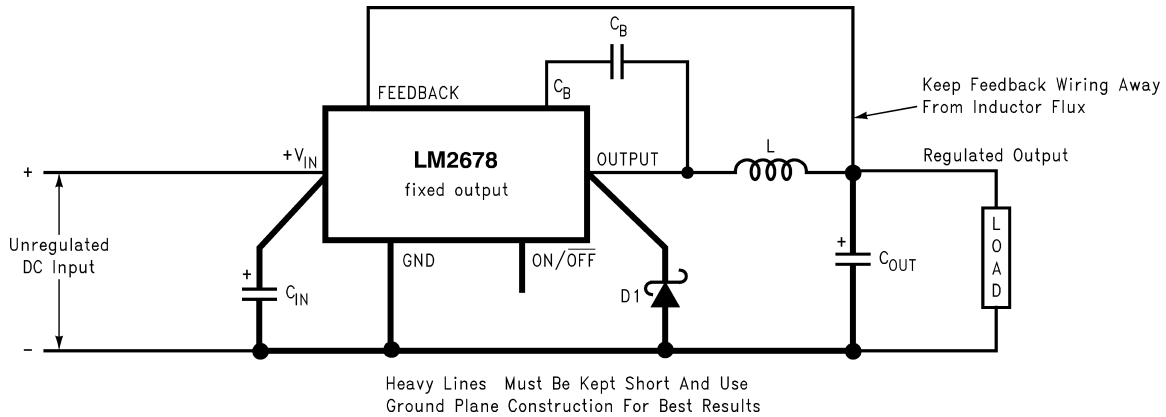


Figure 19. Basic Circuit for Fixed Output Voltage Applications.

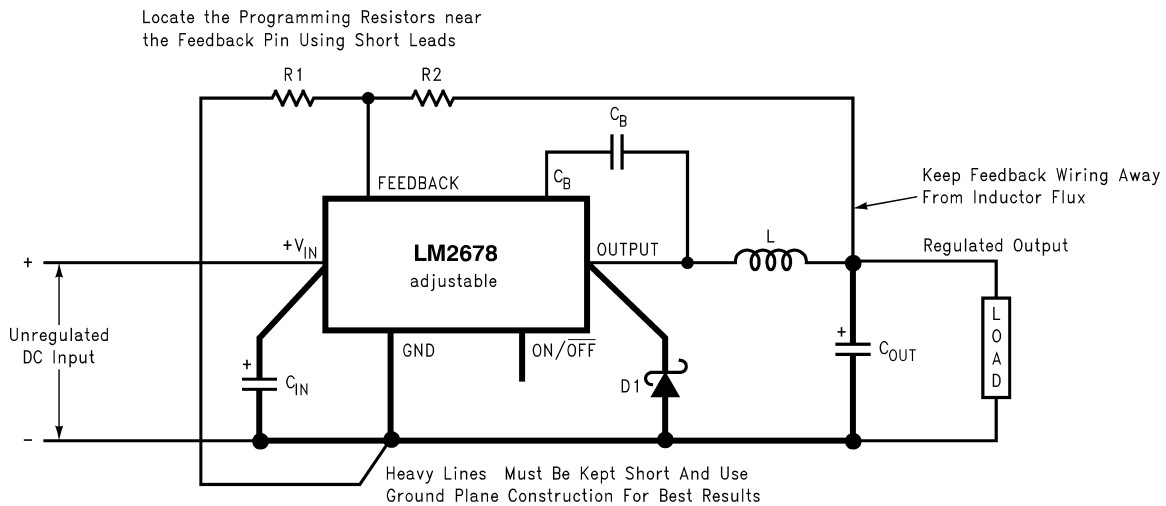


Figure 20. Basic Circuit for Adjustable Output Voltage Applications

Power supply design using the LM2678 is greatly simplified by using recommended external components. A wide range of inductors, capacitors and Schottky diodes from several manufacturers have been evaluated for use in designs that cover the full range of capabilities (input voltage, output voltage and load current) of the LM2678. A simple design procedure using nomographs and component tables provided in this data sheet leads to a working design with very little effort. Alternatively, the design software, *LM267X Made Simple* (version 6.0), can also be used to provide instant component selection, circuit performance calculations for evaluation, a bill of materials component list and a circuit schematic.

The individual components from the various manufacturers called out for use are still just a small sample of the vast array of components available in the industry. While these components are recommended, they are not exclusively the only components for use in a design. After a close comparison of component specifications, equivalent devices from other manufacturers could be substituted for use in an application.

Important considerations for each external component and an explanation of how the nomographs and selection tables were developed follows.

INDUCTOR

The inductor is the key component in a switching regulator. For efficiency the inductor stores energy during the switch ON time and then transfers energy to the load while the switch is OFF.

Nomographs are used to select the inductance value required for a given set of operating conditions. The nomographs assume that the circuit is operating in continuous mode (the current flowing through the inductor never falls to zero). The magnitude of inductance is selected to maintain a maximum ripple current of 30% of the maximum load current. If the ripple current exceeds this 30% limit the next larger value is selected.

The inductors offered have been specifically manufactured to provide proper operation under all operating conditions of input and output voltage and load current. Several part types are offered for a given amount of inductance. Both surface mount and through-hole devices are available. The inductors from each of the three manufacturers have unique characteristics.

Renco: ferrite stick core inductors; benefits are typically lowest cost and can withstand ripple and transient peak currents above the rated value. These inductors have an external magnetic field, which may generate EMI.

Pulse Engineering: powdered iron toroid core inductors; these also can withstand higher than rated currents and, being toroid inductors, will have low EMI.

Coilcraft: ferrite drum core inductors; these are the smallest physical size inductors and are available only as surface mount components. These inductors also generate EMI but less than stick inductors.

OUTPUT CAPACITOR

The output capacitor acts to smooth the dc output voltage and also provides energy storage. Selection of an output capacitor, with an associated equivalent series resistance (ESR), impacts both the amount of output ripple voltage and stability of the control loop.

The output ripple voltage of the power supply is the product of the capacitor ESR and the inductor ripple current. The capacitor types recommended in the tables were selected for having low ESR ratings.

In addition, both surface mount tantalum capacitors and through-hole aluminum electrolytic capacitors are offered as solutions.

Impacting frequency stability of the overall control loop, the output capacitance, in conjunction with the inductor, creates a double pole inside the feedback loop. In addition the capacitance and the ESR value create a zero. These frequency response effects together with the internal frequency compensation circuitry of the LM2678 modify the gain and phase shift of the closed loop system.

As a general rule for stable switching regulator circuits it is desired to have the unity gain bandwidth of the circuit to be limited to no more than one-sixth of the controller switching frequency. With the fixed 260KHz switching frequency of the LM2678, the output capacitor is selected to provide a unity gain bandwidth of 40KHz maximum. Each recommended capacitor value has been chosen to achieve this result.

In some cases multiple capacitors are required either to reduce the ESR of the output capacitor, to minimize output ripple (a ripple voltage of 1% of V_{out} or less is the assumed performance condition), or to increase the output capacitance to reduce the closed loop unity gain bandwidth (to less than 40KHz). When parallel combinations of capacitors are required it has been assumed that each capacitor is the exact same part type.

The RMS current and working voltage (WV) ratings of the output capacitor are also important considerations. In a typical step-down switching regulator, the inductor ripple current (set to be no more than 30% of the maximum load current by the inductor selection) is the current that flows through the output capacitor. The capacitor RMS current rating must be greater than this ripple current. The voltage rating of the output capacitor should be greater than 1.3 times the maximum output voltage of the power supply. If operation of the system at elevated temperatures is required, the capacitor voltage rating may be de-rated to less than the nominal room temperature rating. Careful inspection of the manufacturer's specification for de-rating of working voltage with temperature is important.

INPUT CAPACITOR

Fast changing currents in high current switching regulators place a significant dynamic load on the unregulated power source. An input capacitor helps to provide additional current to the power supply as well as smooth out input voltage variations.

Like the output capacitor, the key specifications for the input capacitor are RMS current rating and working voltage. The RMS current flowing through the input capacitor is equal to one-half of the maximum dc load current so the capacitor should be rated to handle this. Paralleling multiple capacitors proportionally increases the current rating of the total capacitance. The voltage rating should also be selected to be 1.3 times the maximum input voltage. Depending on the unregulated input power source, under light load conditions the maximum input voltage could be significantly higher than normal operation and should be considered when selecting an input capacitor.

The input capacitor should be placed very close to the input pin of the LM2678. Due to relative high current operation with fast transient changes, the series inductance of input connecting wires or PCB traces can create ringing signals at the input terminal which could possibly propagate to the output or other parts of the circuitry. It may be necessary in some designs to add a small valued (0.1 μ F to 0.47 μ F) ceramic type capacitor in parallel with the input capacitor to prevent or minimize any ringing.

CATCH DIODE

When the power switch in the LM2678 turns OFF, the current through the inductor continues to flow. The path for this current is through the diode connected between the switch output and ground. This forward biased diode clamps the switch output to a voltage less than ground. This negative voltage must be greater than $-1V$ so a low voltage drop (particularly at high current levels) Schottky diode is recommended. Total efficiency of the entire power supply is significantly impacted by the power lost in the output catch diode. The average current through the catch diode is dependent on the switch duty cycle (D) and is equal to the load current times (1-D). Use of a diode rated for much higher current than is required by the actual application helps to minimize the voltage drop and power loss in the diode.

During the switch ON time the diode will be reversed biased by the input voltage. The reverse voltage rating of the diode should be at least 1.3 times greater than the maximum input voltage.

BOOST CAPACITOR

The boost capacitor creates a voltage used to overdrive the gate of the internal power MOSFET. This improves efficiency by minimizing the on resistance of the switch and associated power loss. For all applications it is recommended to use a 0.01 μ F/50V ceramic capacitor.

ADDITIONAL APPLICATION INFORMATION

When the output voltage is greater than approximately 6V, and the duty cycle at minimum input voltage is greater than approximately 50%, the designer should exercise caution in selection of the output filter components. When an application designed to these specific operating conditions is subjected to a current limit fault condition, it may be possible to observe a large hysteresis in the current limit. This can affect the output voltage of the device until the load current is reduced sufficiently to allow the current limit protection circuit to reset itself.

Under current limiting conditions, the LM267x is designed to respond in the following manner:

1. At the moment when the inductor current reaches the current limit threshold, the ON-pulse is immediately terminated. This happens for any application condition.
2. However, the current limit block is also designed to momentarily reduce the duty cycle to below 50% to avoid subharmonic oscillations, which could cause the inductor to saturate.
3. Thereafter, once the inductor current falls below the current limit threshold, there is a small relaxation time during which the duty cycle progressively rises back above 50% to the value required to achieve regulation.

If the output capacitance is sufficiently 'large', it may be possible that as the output tries to recover, the output capacitor charging current is large enough to repeatedly re-trigger the current limit circuit before the output has fully settled. This condition is exacerbated with higher output voltage settings because the energy requirement of the output capacitor varies as the square of the output voltage ($\frac{1}{2}CV^2$), thus requiring an increased charging current.

A simple test to determine if this condition might exist for a suspect application is to apply a short circuit across the output of the converter, and then remove the shorted output condition. In an application with properly selected external components, the output will recover smoothly.

Practical values of external components that have been experimentally found to work well under these specific operating conditions are $C_{OUT} = 47\mu\text{F}$, $L = 22\mu\text{H}$. It should be noted that even with these components, for a device's current limit of I_{CLIM} , the maximum load current under which the possibility of the large current limit hysteresis can be minimized is $I_{CLIM}/2$. For example, if the input is 24V and the set output voltage is 18V, then for a desired maximum current of 1.5A, the current limit of the chosen switcher must be confirmed to be at least 3A.

Under extreme over-current or short circuit conditions, the LM267X employs frequency foldback in addition to the current limit. If the cycle-by-cycle inductor current increases above the current limit threshold (due to short circuit or inductor saturation for example) the switching frequency will be automatically reduced to protect the IC. Frequency below 100 KHz is typical for an extreme short circuit condition.

SIMPLE DESIGN PROCEDURE

Using the nomographs and tables in this data sheet (or use the available design software at www.ti.com) a complete step-down regulator can be designed in a few simple steps.

Step 1: Define the power supply operating conditions:

Required output voltage

Maximum DC input voltage

Maximum output load current

Step 2: Set the output voltage by selecting a fixed output LM2678 (3.3V, 5V or 12V applications) or determine the required feedback resistors for use with the adjustable LM2678-ADJ

Step 3: Determine the inductor required by using one of the four nomographs, [Figure 21](#) through [Figure 24](#). [Table 1](#) provides a specific manufacturer and part number for the inductor.

Step 4: Using [Table 6](#) (fixed output voltage) or [Table 12](#) (adjustable output voltage), determine the output capacitance required for stable operation. [Table 3](#) provides the specific capacitor type from the manufacturer of choice.

Step 5: Determine an input capacitor from [Table 6](#) for fixed output voltage applications. Use [Table 3](#) to find the specific capacitor type. For adjustable output circuits select a capacitor from [Table 3](#) with a sufficient working voltage (WV) rating greater than $V_{in\ max}$, and an rms current rating greater than one-half the maximum load current (2 or more capacitors in parallel may be required).

Step 6: Select a diode from [Table 10](#). The current rating of the diode must be greater than $I_{load\ max}$ and the Reverse Voltage rating must be greater than $V_{in\ max}$.

Step 7: Include a $0.01\mu\text{F}/50\text{V}$ capacitor for C_{boost} in the design.

FIXED OUTPUT VOLTAGE DESIGN EXAMPLE

A system logic power supply bus of 3.3V is to be generated from a wall adapter which provides an unregulated DC voltage of 13V to 16V. The maximum load current is 4A. Through-hole components are preferred.

Step 1: Operating conditions are:

$V_{out} = 3.3\text{V}$

$V_{in\ max} = 16\text{V}$

$I_{load\ max} = 4\text{A}$

Step 2: Select an LM2678T-3.3. The output voltage will have a tolerance of $\pm 2\%$ at room temperature and $\pm 3\%$ over the full operating temperature range.

Step 3: Use the nomograph for the 3.3V device, [Figure 21](#). The intersection of the 16V horizontal line ($V_{in\ max}$) and the 4A vertical line ($I_{load\ max}$) indicates that L46, a $15\mu\text{H}$ inductor, is required.

From [Table 1](#), L46 in a through-hole component is available from Renco with part number RL-1283-15-43.

Step 4: Use [Table 6](#) to determine an output capacitor. With a 3.3V output and a 15μH inductor there are four through-hole output capacitor solutions with the number of same type capacitors to be paralleled and an identifying capacitor code given. [Table 3](#) provides the actual capacitor characteristics. Any of the following choices will work in the circuit:

2 x 220μF/10V Sanyo OS-CON (code C5)

2 x 820μF/16V Sanyo MV-GX (code C5)

1 x 3900μF/10V Nichicon PL (code C7)

2 x 560μF/35V Panasonic HFQ (code C5)

Step 5: Use [Table 6](#) to select an input capacitor. With 3.3V output and 15μH there are three through-hole solutions. These capacitors provide a sufficient voltage rating and an rms current rating greater than 2A (1/2 I_{load} max). Again using [Table 3](#) for specific component characteristics the following choices are suitable:

2 x 680μF/63V Sanyo MV-GX (code C13)

1 x 1200μF/63V Nichicon PL (code C25)

1 x 1500μF/63V Panasonic HFQ (code C16)

Step 6: From [Table 10](#) a 5A or more Schottky diode must be selected. For through-hole components only 40V rated diodes are indicated and 4 part types are suitable:

1N5825

MBR745

80SQ045

6TQ045

Step 7: A 0.01μF capacitor will be used for C_{boost}.

ADJUSTABLE OUTPUT DESIGN EXAMPLE

In this example it is desired to convert the voltage from a two battery automotive power supply (voltage range of 20V to 28V, typical in large truck applications) to the 14.8VDC alternator supply typically used to power electronic equipment from single battery 12V vehicle systems. The load current required is 3.5A maximum. It is also desired to implement the power supply with all surface mount components.

Step 1: Operating conditions are:

V_{out} = 14.8V

V_{in} max = 28V

I_{load} max = 3.5A

Step 2: Select an LM2678S-ADJ. To set the output voltage to 14.9V two resistors need to be chosen (R₁ and R₂ in [Figure 20](#)). For the adjustable device the output voltage is set by the following relationship:

$$V_{OUT} = V_{FB} \left(1 + \frac{R_2}{R_1} \right)$$

where

- V_{FB} is the feedback voltage of typically 1.21V (1)

A recommended value to use for R₁ is 1K. In this example then R₂ is determined to be:

$$R_2 = R_1 \left(\frac{V_{OUT}}{V_{FB}} - 1 \right) = 1 \text{ k}\Omega \left(\frac{14.8\text{V}}{1.21\text{V}} - 1 \right) \quad (2)$$

R₂ = 11.23KΩ

The closest standard 1% tolerance value to use is 11.3KΩ

This will set the nominal output voltage to 14.88V which is within 0.5% of the target value.

Step 3: To use the nomograph for the adjustable device, [Figure 24](#), requires a calculation of the inductor Volt•microsecond constant ($E \cdot T$ expressed in $V \cdot \mu s$) from the following formula:

$$E \cdot T = (V_{IN(MAX)} - V_{OUT} - V_{SAT}) \cdot \frac{V_{OUT} + V_D}{V_{IN(MAX)} - V_{SAT} + V_D} \cdot \frac{1000}{260} (V \cdot \mu s)$$

where

- V_{SAT} is the voltage drop across the internal power switch which is $R_{ds(ON)}$ times I_{load} (3)

In this example this would be typically $0.12\Omega \times 3.5A$ or $0.42V$ and V_D is the voltage drop across the forward biased Schottky diode, typically $0.5V$. The switching frequency of $260KHz$ is the nominal value to use to estimate the ON time of the switch during which energy is stored in the inductor.

For this example $E \cdot T$ is found to be:

$$E \cdot T = (28 - 14.8 - 0.42) \cdot \frac{14.8 + 0.5}{28 - 0.42 + 0.5} \cdot \frac{1000}{260} (V \cdot \mu s) \quad (4)$$

$$E \cdot T = (12.78V) \cdot \frac{15.3V}{28.08V} \cdot 3.85 (V \cdot \mu s) = 26.8 (V \cdot \mu s) \quad (5)$$

Using [Figure 24](#), the intersection of $27V \cdot \mu s$ horizontally and the $3.5A$ vertical line ($I_{load \max}$) indicates that L48, a $47\mu H$ inductor, or L49, a $33\mu H$ inductor could be used. Either inductor will be suitable, but for this example selecting the larger inductance will result in lower ripple current.

From [Table 1](#), L48 in a surface mount component is available from Pulse Engineering with part number P0848.

Step 4: Use [Table 12](#) to determine an output capacitor. With a $14.8V$ output the 12.5 to $15V$ row is used and with a $47\mu H$ inductor there are three surface mount output capacitor solutions. [Table 3](#) provides the actual capacitor characteristics based on the C Code number. Any of the following choices can be used:

1 x $33\mu F/20V$ AVX TPS (code C6)

1 x $47\mu F/20V$ Sprague 594 (code C8)

1 x $47\mu F/20V$ Kemet T495 (code C8)

NOTE

When using the adjustable device in low voltage applications (less than $3V$ output), if the nomograph, [Figure 24](#), selects an inductance of $22\mu H$ or less, [Table 12](#) and [Table 13](#) do not provide an output capacitor solution. With these conditions the number of output capacitors required for stable operation becomes impractical. It is recommended to use either a $33\mu H$ or $47\mu H$ inductor and the output capacitors from [Table 12](#) and [Table 13](#).

Step 5: An input capacitor for this example will require at least a $35V$ WV rating with an rms current rating of $1.75A$ ($1/2$ Iout max). From [Table 3](#) it can be seen that C12, a $33\mu F/35V$ capacitor from Sprague, has the highest voltage/current rating of the surface mount components and that two of these capacitor in parallel will be adequate.

Step 6: From [Table 10](#) a $5A$ or more Schottky diode must be selected. For surface mount diodes with a margin of safety on the voltage rating one of two diodes can be used:

MBRD1545CT

6TQ045S

Step 7: A $0.01\mu F$ capacitor will be used for Cboost.

VSON PACKAGE DEVICES

The LM2678 is offered in the 14 lead VSON surface mount package to allow for a significantly decreased footprint with equivalent power dissipation compared to the DPAK. For details on mounting and soldering specifications, refer to [Application Note AN-1187](#) at www.ti.com/lstds/ti/analog/powermanagement/power_portal.page.

Inductor Selection Guides

For Continuous Mode Operation

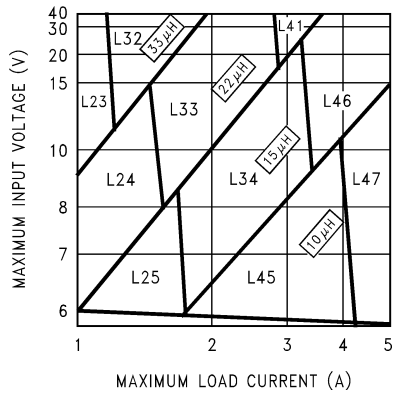


Figure 21. LM2678-3.3

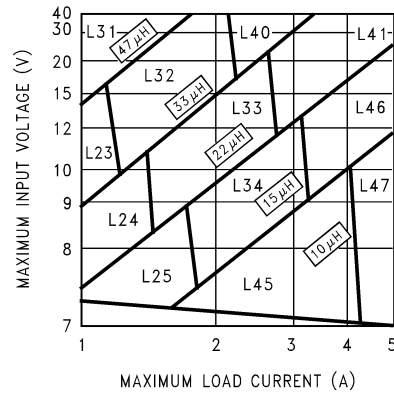


Figure 22. LM2678-5.0

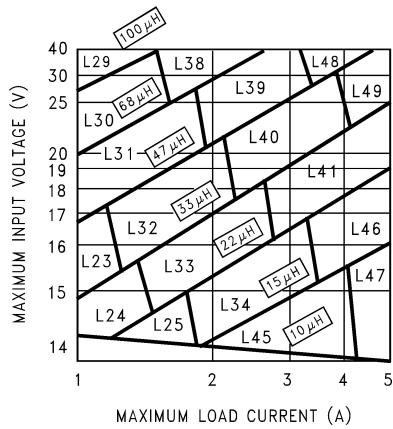


Figure 23. LM2678-12

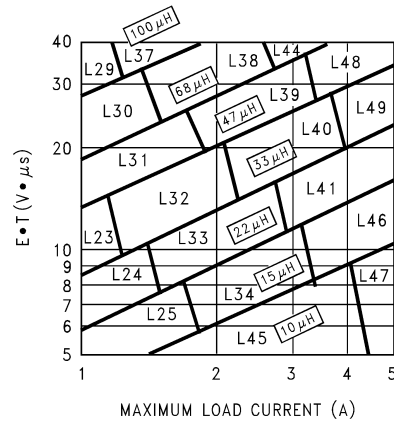


Figure 24. LM2678-ADJ

Table 1. Inductor Manufacturer Part Numbers

| Inductor Reference Number | Inductance (µH) | Current (A) | Renco | | Pulse Engineering | | Coilcraft |
|---------------------------|-----------------|-------------|---------------|---------------|-------------------|---------------|---------------|
| | | | Through Hole | Surface Mount | Through Hole | Surface Mount | Surface Mount |
| L23 | 33 | 1.35 | RL-5471-7 | RL1500-33 | PE-53823 | PE-53823S | DO3316-333 |
| L24 | 22 | 1.65 | RL-1283-22-43 | RL1500-22 | PE-53824 | PE-53824S | DO3316-223 |
| L25 | 15 | 2.00 | RL-1283-15-43 | RL1500-15 | PE-53825 | PE-53825S | DO3316-153 |
| L29 | 100 | 1.41 | RL-5471-4 | RL-6050-100 | PE-53829 | PE-53829S | DO5022P-104 |
| L30 | 68 | 1.71 | RL-5471-5 | RL6050-68 | PE-53830 | PE-53830S | DO5022P-683 |
| L31 | 47 | 2.06 | RL-5471-6 | RL6050-47 | PE-53831 | PE-53831S | DO5022P-473 |
| L32 | 33 | 2.46 | RL-5471-7 | RL6050-33 | PE-53932 | PE-53932S | DO5022P-333 |
| L33 | 22 | 3.02 | RL-1283-22-43 | RL6050-22 | PE-53933 | PE-53933S | DO5022P-223 |
| L34 | 15 | 3.65 | RL-1283-15-43 | — | PE-53934 | PE-53934S | DO5022P-153 |
| L38 | 68 | 2.97 | RL-5472-2 | — | PE-54038 | PE-54038S | — |
| L39 | 47 | 3.57 | RL-5472-3 | — | PE-54039 | PE-54039S | — |
| L40 | 33 | 4.26 | RL-1283-33-43 | — | PE-54040 | PE-54040S | — |
| L41 | 22 | 5.22 | RL-1283-22-43 | — | PE-54041 | P0841 | — |
| L44 | 68 | 3.45 | RL-5473-3 | — | PE-54044 | — | — |
| L45 | 10 | 4.47 | RL-1283-10-43 | — | — | P0845 | DO5022P-103HC |
| L46 | 15 | 5.60 | RL-1283-15-43 | — | — | P0846 | DO5022P-153HC |
| L47 | 10 | 5.66 | RL-1283-10-43 | — | — | P0847 | DO5022P-103HC |
| L48 | 47 | 5.61 | RL-1282-47-43 | — | — | P0848 | — |
| L49 | 33 | 5.61 | RL-1282-33-43 | — | — | P0849 | — |

Table 2. Inductor Manufacturer Contact Numbers

| | | |
|----------------------------------|-------|------------------|
| Coilcraft | Phone | (800) 322-2645 |
| | FAX | (708) 639-1469 |
| Coilcraft, Europe | Phone | +44 1236 730 595 |
| | FAX | +44 1236 730 627 |
| Pulse Engineering | Phone | (619) 674-8100 |
| | FAX | (619) 674-8262 |
| Pulse Engineering, Europe | Phone | +353 93 24 107 |
| | FAX | +353 93 24 459 |
| Renco Electronics | Phone | (800) 645-5828 |
| | FAX | (516) 586-5562 |

Capacitor Selection Guides

Table 3. Input and Output Capacitor Codes—Surface Mount

| Capacitor Reference Code | Surface Mount | | | | | | | | |
|--------------------------|----------------|--------|----------------------|---------------------|--------|----------------------|-------------------|--------|----------------------|
| | AVX TPS Series | | | Sprague 594D Series | | | Kemet T495 Series | | |
| | C (μF) | WV (V) | I _{rms} (A) | C (μF) | WV (V) | I _{rms} (A) | C (μF) | WV (V) | I _{rms} (A) |
| C1 | 330 | 6.3 | 1.15 | 120 | 6.3 | 1.1 | 100 | 6.3 | 0.82 |
| C2 | 100 | 10 | 1.1 | 220 | 6.3 | 1.4 | 220 | 6.3 | 1.1 |
| C3 | 220 | 10 | 1.15 | 68 | 10 | 1.05 | 330 | 6.3 | 1.1 |
| C4 | 47 | 16 | 0.89 | 150 | 10 | 1.35 | 100 | 10 | 1.1 |
| C5 | 100 | 16 | 1.15 | 47 | 16 | 1 | 150 | 10 | 1.1 |
| C6 | 33 | 20 | 0.77 | 100 | 16 | 1.3 | 220 | 10 | 1.1 |
| C7 | 68 | 20 | 0.94 | 180 | 16 | 1.95 | 33 | 20 | 0.78 |
| C8 | 22 | 25 | 0.77 | 47 | 20 | 1.15 | 47 | 20 | 0.94 |
| C9 | 10 | 35 | 0.63 | 33 | 25 | 1.05 | 68 | 20 | 0.94 |
| C10 | 22 | 35 | 0.66 | 68 | 25 | 1.6 | 10 | 35 | 0.63 |
| C11 | | | | 15 | 35 | 0.75 | 22 | 35 | 0.63 |
| C12 | | | | 33 | 35 | 1 | 4.7 | 50 | 0.66 |
| C13 | | | | 15 | 50 | 0.9 | | | |

Table 4. Input and Output Capacitor Codes—Through Hole

| Capacitor Reference Code | Through Hole | | | | | | | | | | | |
|--------------------------|------------------------|--------|----------|--------------------|--------|----------|--------------------|--------|----------|----------------------|--------|----------|
| | Sanyo OS-CON SA Series | | | Sanyo MV-GX Series | | | Nichicon PL Series | | | Panasonic HFQ Series | | |
| | C (μF) | WV (V) | Irms (A) | C (μF) | WV (V) | Irms (A) | C (μF) | WV (V) | Irms (A) | C (μF) | WV (V) | Irms (A) |
| C1 | 47 | 6.3 | 1 | 1000 | 6.3 | 0.8 | 680 | 10 | 0.8 | 82 | 35 | 0.4 |
| C2 | 150 | 6.3 | 1.95 | 270 | 16 | 0.6 | 820 | 10 | 0.98 | 120 | 35 | 0.44 |
| C3 | 330 | 6.3 | 2.45 | 470 | 16 | 0.75 | 1000 | 10 | 1.06 | 220 | 35 | 0.76 |
| C4 | 100 | 10 | 1.87 | 560 | 16 | 0.95 | 1200 | 10 | 1.28 | 330 | 35 | 1.01 |
| C5 | 220 | 10 | 2.36 | 820 | 16 | 1.25 | 2200 | 10 | 1.71 | 560 | 35 | 1.4 |
| C6 | 33 | 16 | 0.96 | 1000 | 16 | 1.3 | 3300 | 10 | 2.18 | 820 | 35 | 1.62 |
| C7 | 100 | 16 | 1.92 | 150 | 35 | 0.65 | 3900 | 10 | 2.36 | 1000 | 35 | 1.73 |
| C8 | 150 | 16 | 2.28 | 470 | 35 | 1.3 | 6800 | 10 | 2.68 | 2200 | 35 | 2.8 |
| C9 | 100 | 20 | 2.25 | 680 | 35 | 1.4 | 180 | 16 | 0.41 | 56 | 50 | 0.36 |
| C10 | 47 | 25 | 2.09 | 1000 | 35 | 1.7 | 270 | 16 | 0.55 | 100 | 50 | 0.5 |
| C11 | | | | 220 | 63 | 0.76 | 470 | 16 | 0.77 | 220 | 50 | 0.92 |
| C12 | | | | 470 | 63 | 1.2 | 680 | 16 | 1.02 | 470 | 50 | 1.44 |
| C13 | | | | 680 | 63 | 1.5 | 820 | 16 | 1.22 | 560 | 50 | 1.68 |
| C14 | | | | 1000 | 63 | 1.75 | 1800 | 16 | 1.88 | 1200 | 50 | 2.22 |
| C15 | | | | | | | 220 | 25 | 0.63 | 330 | 63 | 1.42 |
| C16 | | | | | | | 220 | 35 | 0.79 | 1500 | 63 | 2.51 |
| C17 | | | | | | | 560 | 35 | 1.43 | | | |
| C18 | | | | | | | 2200 | 35 | 2.68 | | | |
| C19 | | | | | | | 150 | 50 | 0.82 | | | |
| C20 | | | | | | | 220 | 50 | 1.04 | | | |
| C21 | | | | | | | 330 | 50 | 1.3 | | | |
| C22 | | | | | | | 100 | 63 | 0.75 | | | |
| C23 | | | | | | | 390 | 63 | 1.62 | | | |
| C24 | | | | | | | 820 | 63 | 2.22 | | | |
| C25 | | | | | | | 1200 | 63 | 2.51 | | | |

Table 5. Capacitor Manufacturer Contact Numbers

| | | |
|-----------------------|-------|----------------|
| Nichicon | Phone | (847) 843-7500 |
| | FAX | (847) 843-2798 |
| Panasonic | Phone | (714) 373-7857 |
| | FAX | (714) 373-7102 |
| AVX | Phone | (845) 448-9411 |
| | FAX | (845) 448-1943 |
| Sprague/Vishay | Phone | (207) 324-4140 |
| | FAX | (207) 324-7223 |
| Sanyo | Phone | (619) 661-6322 |
| | FAX | (619) 661-1055 |
| Kemet | Phone | (864) 963-6300 |
| | FAX | (864) 963-6521 |

Table 6. Output Capacitors for Fixed Output Voltage Application—Surface Mount^{(1) (2)}

| Output Voltage (V) | Inductance (μH) | Surface Mount | | | | | |
|--------------------|-----------------|----------------|--------|---------------------|--------|-------------------|--------|
| | | AVX TPS Series | | Sprague 594D Series | | Kemet T495 Series | |
| | | No. | C Code | No. | C Code | No. | C Code |
| 3.3 | 10 | 5 | C1 | 5 | C1 | 5 | C2 |
| | 15 | 4 | C1 | 4 | C1 | 4 | C3 |
| | 22 | 3 | C2 | 2 | C7 | 3 | C4 |
| | 33 | 1 | C1 | 2 | C7 | 3 | C4 |
| 5 | 10 | 4 | C2 | 4 | C6 | 4 | C4 |
| | 15 | 3 | C3 | 2 | C7 | 3 | C5 |
| | 22 | 3 | C2 | 2 | C7 | 3 | C4 |
| | 33 | 2 | C2 | 2 | C3 | 2 | C4 |
| | 47 | 2 | C2 | 1 | C7 | 2 | C4 |
| 12 | 10 | 4 | C5 | 3 | C6 | 5 | C9 |
| | 15 | 3 | C5 | 2 | C7 | 4 | C9 |
| | 22 | 2 | C5 | 2 | C6 | 3 | C8 |
| | 33 | 2 | C5 | 1 | C7 | 3 | C8 |
| | 47 | 2 | C4 | 1 | C6 | 2 | C8 |
| | 68 | 1 | C5 | 1 | C5 | 2 | C7 |
| | 100 | 1 | C4 | 1 | C5 | 1 | C8 |

(1) No. represents the number of identical capacitor types to be connected in parallel

(2) C Code indicates the Capacitor Reference number in [Table 3](#) and [Table 4](#) for identifying the specific component from the manufacturer.**Table 7. Output Capacitors for Fixed Output Voltage Application—Through Hole^{(1) (2)}**

| Output Voltage (V) | Inductance (μH) | Through Hole | | | | | | | |
|--------------------|-----------------|------------------------|--------|--------------------|--------|--------------------|--------|----------------------|--------|
| | | Sanyo OS-CON SA Series | | Sanyo MV-GX Series | | Nichicon PL Series | | Panasonic HFQ Series | |
| | | No. | C Code | No. | C Code | No. | C Code | No. | C Code |
| 3.3 | 10 | 2 | C5 | 2 | C6 | 1 | C8 | 2 | C6 |
| | 15 | 2 | C5 | 2 | C5 | 1 | C7 | 2 | C5 |
| | 22 | 1 | C5 | 1 | C10 | 1 | C5 | 1 | C7 |
| | 33 | 1 | C5 | 1 | C10 | 1 | C5 | 1 | C7 |
| 5 | 10 | 2 | C4 | 2 | C5 | 1 | C6 | 2 | C5 |
| | 15 | 1 | C5 | 1 | C10 | 1 | C5 | 1 | C7 |
| | 22 | 1 | C5 | 1 | C9 | 1 | C5 | 1 | C5 |
| | 33 | 1 | C4 | 1 | C5 | 1 | C4 | 1 | C4 |
| | 47 | 1 | C4 | 1 | C4 | 1 | C2 | 2 | C4 |
| 12 | 10 | 2 | C7 | 1 | C10 | 1 | C14 | 2 | C4 |
| | 15 | 1 | C8 | 1 | C6 | 1 | C17 | 1 | C5 |
| | 22 | 1 | C7 | 1 | C5 | 1 | C13 | 1 | C5 |
| | 33 | 1 | C7 | 1 | C4 | 1 | C12 | 1 | C4 |
| | 47 | 1 | C7 | 1 | C3 | 1 | C11 | 1 | C3 |
| | 68 | 1 | C6 | 1 | C2 | 1 | C10 | 1 | C3 |
| | 100 | 1 | C6 | 1 | C2 | 1 | C9 | 1 | C1 |

(1) No. represents the number of identical capacitor types to be connected in parallel

(2) C Code indicates the Capacitor Reference number in [Table 3](#) and [Table 4](#) for identifying the specific component from the manufacturer.

Table 8. Input Capacitors for Fixed Output Voltage Application—Surface Mount^{(1) (2) (3)}

| Output Voltage (V) | Inductance (μH) | Surface Mount | | | | | |
|--------------------|-----------------|--------------------|--------------------|---------------------|--------|-------------------|--------|
| | | AVX TPS Series | | Sprague 594D Series | | Kemet T495 Series | |
| | | No. | C Code | No. | C Code | No. | C Code |
| 3.3 | 10 | 3 | C7 | 2 | C10 | 3 | C9 |
| | 15 | See ⁽⁴⁾ | See ⁽⁴⁾ | 3 | C13 | 4 | C12 |
| | 22 | See ⁽⁴⁾ | See ⁽⁴⁾ | 2 | C13 | 3 | C12 |
| | 33 | See ⁽⁴⁾ | See ⁽⁴⁾ | 2 | C13 | 3 | C12 |
| 5 | 10 | 3 | C4 | 2 | C6 | 3 | C9 |
| | 15 | 4 | C9 | 3 | C12 | 4 | C10 |
| | 22 | See ⁽⁴⁾ | See ⁽⁴⁾ | 3 | C13 | 4 | C12 |
| | 33 | See ⁽⁴⁾ | See ⁽⁴⁾ | 2 | C13 | 3 | C12 |
| | 47 | See ⁽⁴⁾ | See ⁽⁴⁾ | 1 | C13 | 2 | C12 |
| 12 | 10 | 4 | C9 | 2 | C10 | 4 | C10 |
| | 15 | 4 | C8 | 2 | C10 | 4 | C10 |
| | 22 | 4 | C9 | 3 | C12 | 4 | C10 |
| | 33 | See ⁽⁴⁾ | See ⁽⁴⁾ | 3 | C13 | 4 | C12 |
| | 47 | See ⁽⁴⁾ | See ⁽⁴⁾ | 2 | C13 | 3 | C12 |
| | 68 | See ⁽⁴⁾ | See ⁽⁴⁾ | 2 | C13 | 2 | C12 |
| | 100 | See ⁽⁴⁾ | See ⁽⁴⁾ | 1 | C13 | 2 | C12 |

- (1) No. represents the number of identical capacitor types to be connected in parallel
- (2) C Code indicates the Capacitor Reference number in [Table 3](#) and [Table 4](#) for identifying the specific component from the manufacturer.
- (3) Assumes worst case maximum input voltage and load current for a given inductance value.
- (4) Check voltage rating of capacitors to be greater than application input voltage.

Table 9. Input Capacitors for Fixed Output Voltage Application—Through Hole^{(1) (2) (3)}

| Output Voltage (V) | Inductance (μH) | Through Hole | | | | | | | |
|--------------------|-----------------|------------------------|--------------------|--------------------|--------|--------------------|--------|----------------------|--------|
| | | Sanyo OS-CON SA Series | | Sanyo MV-GX Series | | Nichicon PL Series | | Panasonic HFQ Series | |
| | | No. | C Code | No. | C Code | No. | C Code | No. | C Code |
| 3.3 | 10 | 2 | C9 | 2 | C8 | 1 | C18 | 1 | C8 |
| | 15 | See ⁽⁴⁾ | See ⁽⁴⁾ | 2 | C13 | 1 | C25 | 1 | C16 |
| | 22 | See ⁽⁴⁾ | See ⁽⁴⁾ | 1 | C14 | 1 | C24 | 1 | C16 |
| | 33 | See ⁽⁴⁾ | See ⁽⁴⁾ | 1 | C14 | 1 | C24 | 1 | C16 |
| 5 | 10 | 2 | C7 | 2 | C8 | 1 | C25 | 1 | C8 |
| | 15 | See ⁽⁴⁾ | See ⁽⁴⁾ | 2 | C8 | 1 | C25 | 1 | C8 |
| | 22 | See ⁽⁴⁾ | See ⁽⁴⁾ | 2 | C13 | 1 | C25 | 1 | C16 |
| | 33 | See ⁽⁴⁾ | See ⁽⁴⁾ | 1 | C14 | 1 | C23 | 1 | C13 |
| | 47 | See ⁽⁴⁾ | See ⁽⁴⁾ | 1 | C12 | 1 | C19 | 1 | C11 |
| 12 | 10 | 2 | C10 | 2 | C8 | 1 | C18 | 1 | C8 |
| | 15 | 2 | C10 | 2 | C8 | 1 | C18 | 1 | C8 |
| | 22 | See ⁽⁴⁾ | See ⁽⁴⁾ | 2 | C8 | 1 | C18 | 1 | C8 |
| | 33 | See ⁽⁴⁾ | See ⁽⁴⁾ | 2 | C12 | 1 | C24 | 1 | C14 |
| | 47 | See ⁽⁴⁾ | See ⁽⁴⁾ | 1 | C14 | 1 | C23 | 1 | C13 |
| | 68 | See ⁽⁴⁾ | See ⁽⁴⁾ | 1 | C13 | 1 | C21 | 1 | C15 |
| | 100 | See ⁽⁴⁾ | See ⁽⁴⁾ | 1 | C11 | 1 | C22 | 1 | C11 |

- (1) No. represents the number of identical capacitor types to be connected in parallel
- (2) C Code indicates the Capacitor Reference number in [Table 3](#) and [Table 4](#) for identifying the specific component from the manufacturer.
- (3) Assumes worst case maximum input voltage and load current for a given inductance value.
- (4) Check voltage rating of capacitors to be greater than application input voltage.

Table 10. Schottky Diode Selection Table

| Reverse Voltage (V) | Surface Mount | | Through Hole | |
|------------------------|---------------|------------|--------------|------------|
| | 3A | 5A or More | 3A | 5A or More |
| 20V | SK32 | | 1N5820 | |
| | | | SR302 | |
| 30V | SK33 | MBRD835L | 1N5821 | |
| | 30WQ03F | | 31DQ03 | |
| 40V | SK34 | MBRD1545CT | 1N5822 | 1N5825 |
| | 30BQ040 | 6TQ045S | MBR340 | MBR745 |
| | 30WQ04F | | 31DQ04 | 80SQ045 |
| | MBRS340 | | SR403 | 6TQ045 |
| | MBRD340 | | | |
| 50V or More | SK35 | | MBR350 | |
| | 30WQ05F | | 31DQ05 | |
| | | | SR305 | |

Table 11. Diode Manufacturer Contact Numbers

| | | |
|--------------------------------|-------|----------------|
| International Rectifier | Phone | (310) 322-3331 |
| | FAX | (310) 322-3332 |
| Motorola | Phone | (800) 521-6274 |
| | FAX | (602) 244-6609 |
| General Semiconductor | Phone | (516) 847-3000 |
| | FAX | (516) 847-3236 |
| Diodes, Inc. | Phone | (805) 446-4800 |
| | FAX | (805) 446-4850 |

Table 12. Output Capacitors for Adjustable Output Voltage Applications—Surface Mount^{(1) (2)}

| Output Voltage (V) | Inductance (μH) | Surface Mount | | | | | |
|--------------------|-------------------|---------------------|--------|---------------------|--------|-------------------|--------|
| | | AVX TPS Series | | Sprague 594D Series | | Kemet T495 Series | |
| | | No. | C Code | No. | C Code | No. | C Code |
| 1.21 to 2.50 | 33 ⁽³⁾ | 7 | C1 | 6 | C2 | 7 | C3 |
| | 47 ⁽³⁾ | 5 | C1 | 4 | C2 | 5 | C3 |
| 2.5 to 3.75 | 33 ⁽³⁾ | 4 | C1 | 3 | C2 | 4 | C3 |
| | 47 ⁽³⁾ | 3 | C1 | 2 | C2 | 3 | C3 |
| 3.75 to 5 | 22 | 4 | C1 | 3 | C2 | 4 | C3 |
| | 33 | 3 | C1 | 2 | C2 | 3 | C3 |
| | 47 | 2 | C1 | 2 | C2 | 2 | C3 |
| 5 to 6.25 | 22 | 3 | C2 | 3 | C3 | 3 | C4 |
| | 33 | 2 | C2 | 2 | C3 | 2 | C4 |
| | 47 | 2 | C2 | 2 | C3 | 2 | C4 |
| | 68 | 1 | C2 | 1 | C3 | 1 | C4 |
| 6.25 to 7.5 | 22 | 3 | C2 | 1 | C4 | 3 | C4 |
| | 33 | 2 | C2 | 1 | C3 | 2 | C4 |
| | 47 | 1 | C3 | 1 | C4 | 1 | C6 |
| | 68 | 1 | C2 | 1 | C3 | 1 | C4 |
| 7.5 to 10 | 33 | 2 | C5 | 1 | C6 | 2 | C8 |
| | 47 | 1 | C5 | 1 | C6 | 2 | C8 |
| | 68 | 1 | C5 | 1 | C6 | 1 | C8 |
| | 100 | 1 | C4 | 1 | C5 | 1 | C8 |
| 10 to 12.5 | 33 | 1 | C5 | 1 | C6 | 2 | C8 |
| | 47 | 1 | C5 | 1 | C6 | 2 | C8 |
| | 68 | 1 | C5 | 1 | C6 | 1 | C8 |
| | 100 | 1 | C5 | 1 | C6 | 1 | C8 |
| 12.5 to 15 | 33 | 1 | C6 | 1 | C8 | 1 | C8 |
| | 47 | 1 | C6 | 1 | C8 | 1 | C8 |
| | 68 | 1 | C6 | 1 | C8 | 1 | C8 |
| | 100 | 1 | C6 | 1 | C8 | 1 | C8 |
| 15 to 20 | 33 | 1 | C8 | 1 | C10 | 2 | C10 |
| | 47 | 1 | C8 | 1 | C9 | 2 | C10 |
| | 68 | 1 | C8 | 1 | C9 | 2 | C10 |
| | 100 | 1 | C8 | 1 | C9 | 1 | C10 |
| 20 to 30 | 33 | 2 | C9 | 2 | C11 | 2 | C11 |
| | 47 | 1 | C10 | 1 | C12 | 1 | C11 |
| | 68 | 1 | C9 | 1 | C12 | 1 | C11 |
| | 100 | 1 | C9 | 1 | C12 | 1 | C11 |
| 30 to 37 | 10 | No Values Available | | 4 | C13 | 8 | C12 |
| | 15 | | | 3 | C13 | 5 | C12 |
| | 22 | | | 2 | C13 | 4 | C12 |
| | 33 | | | 1 | C13 | 3 | C12 |
| | 47 | | | 1 | C13 | 2 | C12 |
| | 68 | | | 1 | C13 | 2 | C12 |

(1) No. represents the number of identical capacitor types to be connected in parallel

(2) C Code indicates the Capacitor Reference number in [Table 3](#) and [Table 4](#) for identifying the specific component from the manufacturer.

(3) Set to a higher value for a practical design solution. See [Application Hints](#) section

Table 13. Output Capacitors for Adjustable Output Voltage Applications—Through Hole^{(1) (2)}

| Output Voltage (V) | Inductance (μH) | Through Hole | | | | | | | |
|--------------------|-------------------|------------------------|--------|--------------------|--------|--------------------|--------|----------------------|--------|
| | | Sanyo OS-CON SA Series | | Sanyo MV-GX Series | | Nichicon PL Series | | Panasonic HFQ Series | |
| | | No. | C Code | No. | C Code | No. | C Code | No. | C Code |
| 1.21 to 2.50 | 33 ⁽³⁾ | 2 | C3 | 5 | C1 | 5 | C3 | 3 | C |
| | 47 ⁽³⁾ | 2 | C2 | 4 | C1 | 3 | C3 | 2 | C5 |
| 2.5 to 3.75 | 33 ⁽³⁾ | 1 | C3 | 3 | C1 | 3 | C1 | 2 | C5 |
| | 47 ⁽³⁾ | 1 | C2 | 2 | C1 | 2 | C3 | 1 | C5 |
| 3.75 to 5 | 22 | 1 | C3 | 3 | C1 | 3 | C1 | 2 | C5 |
| | 33 | 1 | C2 | 2 | C1 | 2 | C1 | 1 | C5 |
| | 47 | 1 | C2 | 2 | C1 | 1 | C3 | 1 | C5 |
| 5 to 6.25 | 22 | 1 | C5 | 2 | C6 | 2 | C3 | 2 | C5 |
| | 33 | 1 | C4 | 1 | C6 | 2 | C1 | 1 | C5 |
| | 47 | 1 | C4 | 1 | C6 | 1 | C3 | 1 | C5 |
| | 68 | 1 | C4 | 1 | C6 | 1 | C1 | 1 | C5 |
| 6.25 to 7.5 | 22 | 1 | C5 | 1 | C6 | 2 | C1 | 1 | C5 |
| | 33 | 1 | C4 | 1 | C6 | 1 | C3 | 1 | C5 |
| | 47 | 1 | C4 | 1 | C6 | 1 | C1 | 1 | C5 |
| | 68 | 1 | C4 | 1 | C2 | 1 | C1 | 1 | C5 |
| 7.5 to 10 | 33 | 1 | C7 | 1 | C6 | 1 | C14 | 1 | C5 |
| | 47 | 1 | C7 | 1 | C6 | 1 | C14 | 1 | C5 |
| | 68 | 1 | C7 | 1 | C2 | 1 | C14 | 1 | C2 |
| | 100 | 1 | C7 | 1 | C2 | 1 | C14 | 1 | C2 |
| 10 to 12.5 | 33 | 1 | C7 | 1 | C6 | 1 | C14 | 1 | C5 |
| | 47 | 1 | C7 | 1 | C2 | 1 | C14 | 1 | C5 |
| | 68 | 1 | C7 | 1 | C2 | 1 | C9 | 1 | C2 |
| | 100 | 1 | C7 | 1 | C2 | 1 | C9 | 1 | C2 |
| 12.5 to 15 | 33 | 1 | C9 | 1 | C10 | 1 | C15 | 1 | C2 |
| | 47 | 1 | C9 | 1 | C10 | 1 | C15 | 1 | C2 |
| | 68 | 1 | C9 | 1 | C10 | 1 | C15 | 1 | C2 |
| | 100 | 1 | C9 | 1 | C10 | 1 | C15 | 1 | C2 |
| 15 to 20 | 33 | 1 | C10 | 1 | C7 | 1 | C15 | 1 | C2 |
| | 47 | 1 | C10 | 1 | C7 | 1 | C15 | 1 | C2 |
| | 68 | 1 | C10 | 1 | C7 | 1 | C15 | 1 | C2 |
| | 100 | 1 | C10 | 1 | C7 | 1 | C15 | 1 | C2 |
| 20 to 30 | 33 | No Values Available | | 1 | C7 | 1 | C16 | 1 | C2 |
| | 47 | | | 1 | C7 | 1 | C16 | 1 | C2 |
| | 68 | | | 1 | C7 | 1 | C16 | 1 | C2 |
| | 100 | | | 1 | C7 | 1 | C16 | 1 | C2 |
| 30 to 37 | 10 | No Values Available | | 1 | C12 | 1 | C20 | 1 | C10 |
| | 15 | | | 1 | C11 | 1 | C20 | 1 | C11 |
| | 22 | | | 1 | C11 | 1 | C20 | 1 | C10 |
| | 33 | | | 1 | C11 | 1 | C20 | 1 | C10 |
| | 47 | | | 1 | C11 | 1 | C20 | 1 | C10 |
| | 68 | | | 1 | C11 | 1 | C20 | 1 | C10 |

(1) No. represents the number of identical capacitor types to be connected in parallel

(2) C Code indicates the Capacitor Reference number in [Table 3](#) and [Table 4](#) for identifying the specific component from the manufacturer.

(3) Set to a higher value for a practical design solution. See [Application Hints](#) section

REVISION HISTORY

| Changes from Revision H (April 2013) to Revision I | Page |
|--|--------------------------|
| <hr/> <ul style="list-style-type: none">• Changed layout of National Data Sheet to TI format | <hr/> 25 |

PACKAGING INFORMATION

| Orderable Device | Status (1) | Package Type | Package Drawing | Pins | Package Qty | Eco Plan (2) | Lead/Ball Finish (6) | MSL Peak Temp (3) | Op Temp (°C) | Device Marking (4/5) | Samples |
|--------------------|---------------|------------------|-----------------|------|-------------|----------------------------|-------------------------|----------------------|--------------|-------------------------|-------------------------|
| LM2678S-12 | NRND | DDPAK/ TO-263 | KTW | 7 | 45 | TBD | Call TI | Call TI | -40 to 125 | LM2678 S-12 | |
| LM2678S-12/NOPB | ACTIVE | DDPAK/ TO-263 | KTW | 7 | 45 | Pb-Free (RoHS Exempt) | CU SN | Level-3-245C-168 HR | -40 to 125 | LM2678 S-12 | Samples |
| LM2678S-3.3 | NRND | DDPAK/ TO-263 | KTW | 7 | 45 | TBD | Call TI | Call TI | -40 to 125 | LM2678 S-3.3 | |
| LM2678S-3.3/NOPB | ACTIVE | DDPAK/ TO-263 | KTW | 7 | 45 | Pb-Free (RoHS Exempt) | CU SN | Level-3-245C-168 HR | -40 to 125 | LM2678 S-3.3 | Samples |
| LM2678S-5.0 | NRND | DDPAK/ TO-263 | KTW | 7 | 45 | TBD | Call TI | Call TI | -40 to 125 | LM2678 S-5.0 | |
| LM2678S-5.0/NOPB | ACTIVE | DDPAK/ TO-263 | KTW | 7 | 45 | Pb-Free (RoHS Exempt) | CU SN | Level-3-245C-168 HR | -40 to 125 | LM2678 S-5.0 | Samples |
| LM2678S-ADJ | NRND | DDPAK/ TO-263 | KTW | 7 | 45 | TBD | Call TI | Call TI | -40 to 125 | LM2678 S-ADJ | |
| LM2678S-ADJ/NOPB | ACTIVE | DDPAK/ TO-263 | KTW | 7 | 45 | Pb-Free (RoHS Exempt) | CU SN | Level-3-245C-168 HR | -40 to 125 | LM2678 S-ADJ | Samples |
| LM2678SD-12 | NRND | VSON | NHM | 14 | 250 | TBD | Call TI | Call TI | -40 to 125 | S0003BB | |
| LM2678SD-12/NOPB | ACTIVE | VSON | NHM | 14 | 250 | Green (RoHS & no Sb/Br) | CU SN | Level-1-260C-UNLIM | -40 to 125 | S0003BB | Samples |
| LM2678SD-3.3/NOPB | ACTIVE | VSON | NHM | 14 | 250 | Green (RoHS & no Sb/Br) | CU SN | Level-1-260C-UNLIM | -40 to 125 | S0003CB | Samples |
| LM2678SD-5.0/NOPB | ACTIVE | VSON | NHM | 14 | 250 | Green (RoHS & no Sb/Br) | CU SN | Level-1-260C-UNLIM | -40 to 125 | S0003DB | Samples |
| LM2678SD-ADJ | NRND | VSON | NHM | 14 | 250 | TBD | Call TI | Call TI | -40 to 125 | S0003EB | |
| LM2678SD-ADJ/NOPB | ACTIVE | VSON | NHM | 14 | 250 | Green (RoHS & no Sb/Br) | CU SN | Level-1-260C-UNLIM | -40 to 125 | S0003EB | Samples |
| LM2678SDX-3.3/NOPB | ACTIVE | VSON | NHM | 14 | 2500 | Green (RoHS & no Sb/Br) | CU SN | Level-1-260C-UNLIM | -40 to 125 | S0003CB | Samples |
| LM2678SDX-5.0/NOPB | ACTIVE | VSON | NHM | 14 | 2500 | Green (RoHS & no Sb/Br) | CU SN | Level-1-260C-UNLIM | -40 to 125 | S0003DB | Samples |
| LM2678SDX-ADJ/NOPB | ACTIVE | VSON | NHM | 14 | 2500 | Green (RoHS & no Sb/Br) | CU SN | Level-1-260C-UNLIM | -40 to 125 | S0003EB | Samples |
| LM2678SX-12/NOPB | ACTIVE | DDPAK/ TO-263 | KTW | 7 | 500 | Pb-Free (RoHS Exempt) | CU SN | Level-3-245C-168 HR | -40 to 125 | LM2678 S-12 | Samples |

| Orderable Device | Status (1) | Package Type | Package Drawing | Pins | Package Qty | Eco Plan (2) | Lead/Ball Finish (6) | MSL Peak Temp (3) | Op Temp (°C) | Device Marking (4/5) | Samples |
|-------------------|---------------|------------------|-----------------|------|-------------|----------------------------|-------------------------|----------------------|--------------|-------------------------|--|
| LM2678SX-3.3/NOPB | ACTIVE | DDPAK/ TO-263 | KTW | 7 | 500 | Pb-Free (RoHS Exempt) | CU SN | Level-3-245C-168 HR | -40 to 125 | LM2678 S-3.3 |  |
| LM2678SX-5.0 | NRND | DDPAK/ TO-263 | KTW | 7 | 500 | TBD | Call TI | Call TI | -40 to 125 | LM2678 S-5.0 | |
| LM2678SX-5.0/NOPB | ACTIVE | DDPAK/ TO-263 | KTW | 7 | 500 | Pb-Free (RoHS Exempt) | CU SN | Level-3-245C-168 HR | -40 to 125 | LM2678 S-5.0 |  |
| LM2678SX-ADJ | NRND | DDPAK/ TO-263 | KTW | 7 | 500 | TBD | Call TI | Call TI | -40 to 125 | LM2678 S-ADJ | |
| LM2678SX-ADJ/NOPB | ACTIVE | DDPAK/ TO-263 | KTW | 7 | 500 | Pb-Free (RoHS Exempt) | CU SN | Level-3-245C-168 HR | -40 to 125 | LM2678 S-ADJ |  |
| LM2678T-12/NOPB | ACTIVE | TO-220 | NDZ | 7 | 45 | Green (RoHS & no Sb/Br) | CU SN | Level-1-NA-UNLIM | -40 to 125 | LM2678 T-12 |  |
| LM2678T-3.3/NOPB | ACTIVE | TO-220 | NDZ | 7 | 45 | Green (RoHS & no Sb/Br) | CU SN | Level-1-NA-UNLIM | -40 to 125 | LM2678 T-3.3 |  |
| LM2678T-5.0 | NRND | TO-220 | NDZ | 7 | 45 | TBD | Call TI | Call TI | -40 to 125 | LM2678 T-5.0 | |
| LM2678T-5.0/NOPB | ACTIVE | TO-220 | NDZ | 7 | 45 | Green (RoHS & no Sb/Br) | CU SN | Level-1-NA-UNLIM | -40 to 125 | LM2678 T-5.0 |  |
| LM2678T-ADJ | NRND | TO-220 | NDZ | 7 | 45 | TBD | Call TI | Call TI | -40 to 125 | LM2678 T-ADJ | |
| LM2678T-ADJ/NOPB | ACTIVE | TO-220 | NDZ | 7 | 45 | Green (RoHS & no Sb/Br) | CU SN | Level-1-NA-UNLIM | -40 to 125 | LM2678 T-ADJ |  |

(1) The marketing status values are defined as follows:

ACTIVE: Product device recommended for new designs.

LIFEBUY: TI has announced that the device will be discontinued, and a lifetime-buy period is in effect.

NRND: Not recommended for new designs. Device is in production to support existing customers, but TI does not recommend using this part in a new design.

PREVIEW: Device has been announced but is not in production. Samples may or may not be available.

OBsolete: TI has discontinued the production of the device.

(2) Eco Plan - The planned eco-friendly classification: Pb-Free (RoHS), Pb-Free (RoHS Exempt), or Green (RoHS & no Sb/Br) - please check <http://www.ti.com/productcontent> for the latest availability information and additional product content details.

TBD: The Pb-Free/Green conversion plan has not been defined.

Pb-Free (RoHS): TI's terms "Lead-Free" or "Pb-Free" mean semiconductor products that are compatible with the current RoHS requirements for all 6 substances, including the requirement that lead not exceed 0.1% by weight in homogeneous materials. Where designed to be soldered at high temperatures, TI Pb-Free products are suitable for use in specified lead-free processes.

Pb-Free (RoHS Exempt): This component has a RoHS exemption for either 1) lead-based flip-chip solder bumps used between the die and package, or 2) lead-based die adhesive used between the die and leadframe. The component is otherwise considered Pb-Free (RoHS compatible) as defined above.

Green (RoHS & no Sb/Br): TI defines "Green" to mean Pb-Free (RoHS compatible), and free of Bromine (Br) and Antimony (Sb) based flame retardants (Br or Sb do not exceed 0.1% by weight in homogeneous material)

(3) MSL, Peak Temp. - The Moisture Sensitivity Level rating according to the JEDEC industry standard classifications, and peak solder temperature.

(4) There may be additional marking, which relates to the logo, the lot trace code information, or the environmental category on the device.

(5) Multiple Device Markings will be inside parentheses. Only one Device Marking contained in parentheses and separated by a "~" will appear on a device. If a line is indented then it is a continuation of the previous line and the two combined represent the entire Device Marking for that device.

(6) Lead/Ball Finish - Orderable Devices may have multiple material finish options. Finish options are separated by a vertical ruled line. Lead/Ball Finish values may wrap to two lines if the finish value exceeds the maximum column width.

Important Information and Disclaimer: The information provided on this page represents TI's knowledge and belief as of the date that it is provided. TI bases its knowledge and belief on information provided by third parties, and makes no representation or warranty as to the accuracy of such information. Efforts are underway to better integrate information from third parties. TI has taken and continues to take reasonable steps to provide representative and accurate information but may not have conducted destructive testing or chemical analysis on incoming materials and chemicals. TI and TI suppliers consider certain information to be proprietary, and thus CAS numbers and other limited information may not be available for release.

In no event shall TI's liability arising out of such information exceed the total purchase price of the TI part(s) at issue in this document sold by TI to Customer on an annual basis.

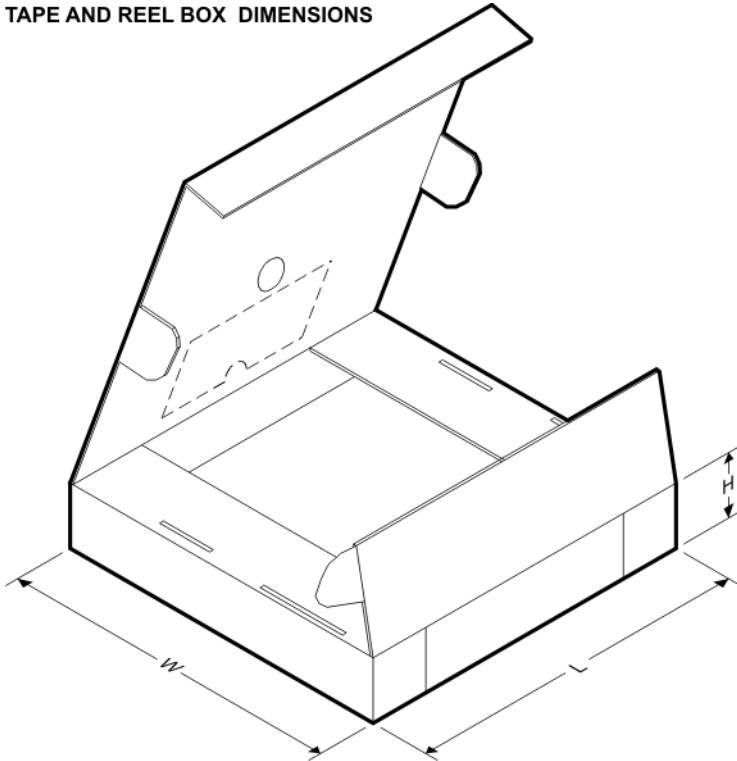
TAPE AND REEL INFORMATION

QUADRANT ASSIGNMENTS FOR PIN 1 ORIENTATION IN TAPE


*All dimensions are nominal

| Device | Package Type | Package Drawing | Pins | SPQ | Reel Diameter (mm) | Reel Width W1 (mm) | A0 (mm) | B0 (mm) | K0 (mm) | P1 (mm) | W (mm) | Pin1 Quadrant |
|--------------------|------------------|-----------------|------|------|--------------------|--------------------|---------|---------|---------|---------|--------|---------------|
| LM2678SD-12 | VSON | NHM | 14 | 250 | 178.0 | 16.4 | 5.3 | 6.3 | 1.5 | 12.0 | 16.0 | Q1 |
| LM2678SD-12/NOPB | VSON | NHM | 14 | 250 | 178.0 | 16.4 | 5.3 | 6.3 | 1.5 | 12.0 | 16.0 | Q1 |
| LM2678SD-3.3/NOPB | VSON | NHM | 14 | 250 | 178.0 | 16.4 | 5.3 | 6.3 | 1.5 | 12.0 | 16.0 | Q1 |
| LM2678SD-5.0/NOPB | VSON | NHM | 14 | 250 | 178.0 | 16.4 | 5.3 | 6.3 | 1.5 | 12.0 | 16.0 | Q1 |
| LM2678SD-ADJ | VSON | NHM | 14 | 250 | 178.0 | 16.4 | 5.3 | 6.3 | 1.5 | 12.0 | 16.0 | Q1 |
| LM2678SD-ADJ/NOPB | VSON | NHM | 14 | 250 | 178.0 | 16.4 | 5.3 | 6.3 | 1.5 | 12.0 | 16.0 | Q1 |
| LM2678SDX-3.3/NOPB | VSON | NHM | 14 | 2500 | 330.0 | 16.4 | 5.3 | 6.3 | 1.5 | 12.0 | 16.0 | Q1 |
| LM2678SDX-5.0/NOPB | VSON | NHM | 14 | 2500 | 330.0 | 16.4 | 5.3 | 6.3 | 1.5 | 12.0 | 16.0 | Q1 |
| LM2678SDX-ADJ/NOPB | VSON | NHM | 14 | 2500 | 330.0 | 16.4 | 5.3 | 6.3 | 1.5 | 12.0 | 16.0 | Q1 |
| LM2678SX-12/NOPB | DDPAK/ TO-263 | KTW | 7 | 500 | 330.0 | 24.4 | 10.75 | 14.85 | 5.0 | 16.0 | 24.0 | Q2 |
| LM2678SX-3.3/NOPB | DDPAK/ TO-263 | KTW | 7 | 500 | 330.0 | 24.4 | 10.75 | 14.85 | 5.0 | 16.0 | 24.0 | Q2 |
| LM2678SX-5.0 | DDPAK/ TO-263 | KTW | 7 | 500 | 330.0 | 24.4 | 10.75 | 14.85 | 5.0 | 16.0 | 24.0 | Q2 |
| LM2678SX-5.0/NOPB | DDPAK/ TO-263 | KTW | 7 | 500 | 330.0 | 24.4 | 10.75 | 14.85 | 5.0 | 16.0 | 24.0 | Q2 |
| LM2678SX-ADJ | DDPAK/ TO-263 | KTW | 7 | 500 | 330.0 | 24.4 | 10.75 | 14.85 | 5.0 | 16.0 | 24.0 | Q2 |

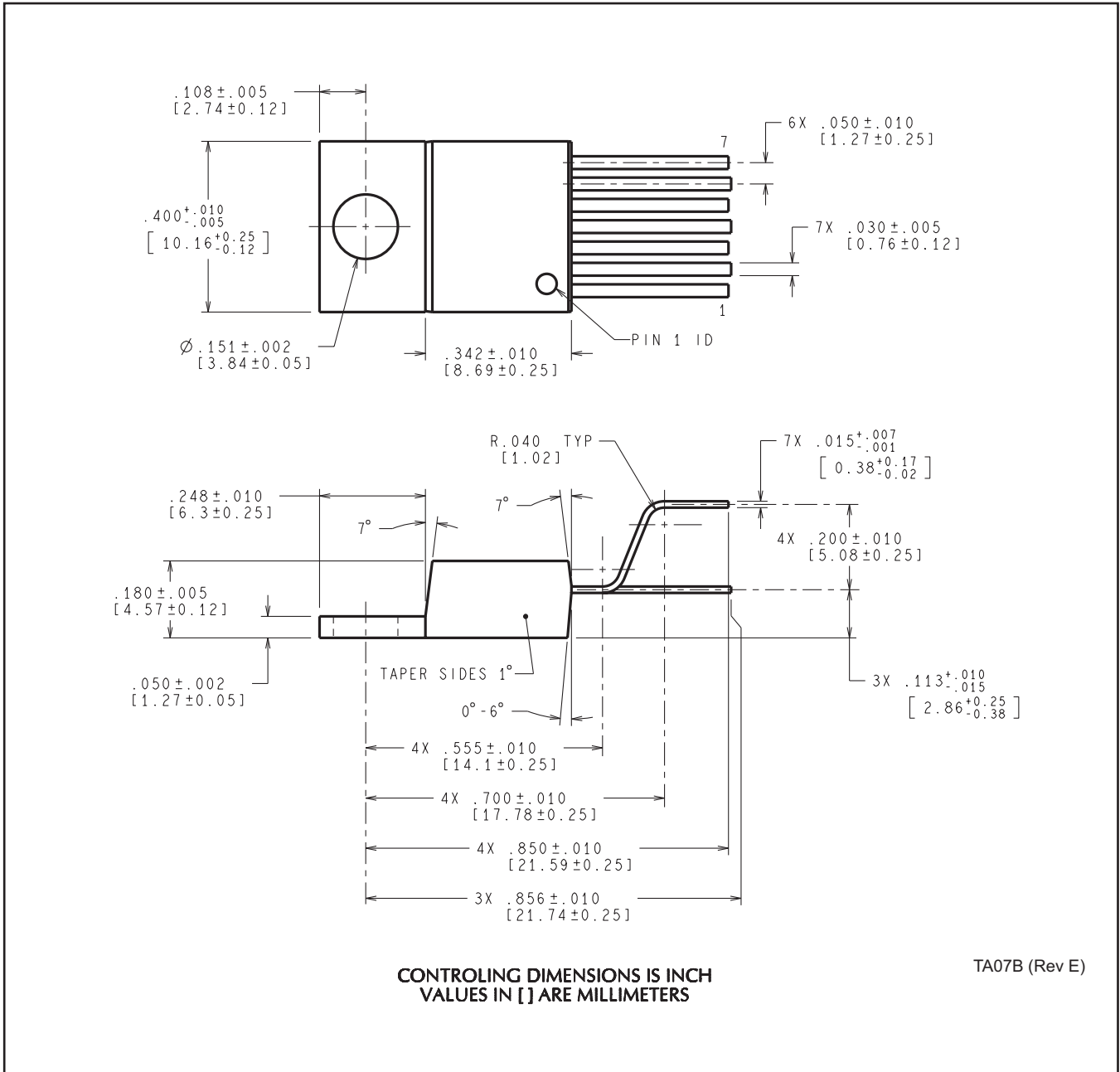
| Device | Package Type | Package Drawing | Pins | SPQ | Reel Diameter (mm) | Reel Width W1 (mm) | A0 (mm) | B0 (mm) | K0 (mm) | P1 (mm) | W (mm) | Pin1 Quadrant |
|-------------------|--------------|-----------------|------|-----|--------------------|--------------------|---------|---------|---------|---------|--------|---------------|
| LM2678SX-ADJ/NOPB | DDPAK/TO-263 | KTW | 7 | 500 | 330.0 | 24.4 | 10.75 | 14.85 | 5.0 | 16.0 | 24.0 | Q2 |

TAPE AND REEL BOX DIMENSIONS


*All dimensions are nominal

| Device | Package Type | Package Drawing | Pins | SPQ | Length (mm) | Width (mm) | Height (mm) |
|--------------------|--------------|-----------------|------|------|-------------|------------|-------------|
| LM2678SD-12 | VSON | NHM | 14 | 250 | 210.0 | 185.0 | 35.0 |
| LM2678SD-12/NOPB | VSON | NHM | 14 | 250 | 210.0 | 185.0 | 35.0 |
| LM2678SD-3.3/NOPB | VSON | NHM | 14 | 250 | 210.0 | 185.0 | 35.0 |
| LM2678SD-5.0/NOPB | VSON | NHM | 14 | 250 | 210.0 | 185.0 | 35.0 |
| LM2678SD-ADJ | VSON | NHM | 14 | 250 | 210.0 | 185.0 | 35.0 |
| LM2678SD-ADJ/NOPB | VSON | NHM | 14 | 250 | 210.0 | 185.0 | 35.0 |
| LM2678SDX-3.3/NOPB | VSON | NHM | 14 | 2500 | 367.0 | 367.0 | 35.0 |
| LM2678SDX-5.0/NOPB | VSON | NHM | 14 | 2500 | 367.0 | 367.0 | 35.0 |
| LM2678SDX-ADJ/NOPB | VSON | NHM | 14 | 2500 | 367.0 | 367.0 | 35.0 |
| LM2678SX-12/NOPB | DDPAK/TO-263 | KTW | 7 | 500 | 367.0 | 367.0 | 45.0 |
| LM2678SX-3.3/NOPB | DDPAK/TO-263 | KTW | 7 | 500 | 367.0 | 367.0 | 45.0 |
| LM2678SX-5.0 | DDPAK/TO-263 | KTW | 7 | 500 | 367.0 | 367.0 | 45.0 |
| LM2678SX-5.0/NOPB | DDPAK/TO-263 | KTW | 7 | 500 | 367.0 | 367.0 | 45.0 |
| LM2678SX-ADJ | DDPAK/TO-263 | KTW | 7 | 500 | 367.0 | 367.0 | 45.0 |
| LM2678SX-ADJ/NOPB | DDPAK/TO-263 | KTW | 7 | 500 | 367.0 | 367.0 | 45.0 |

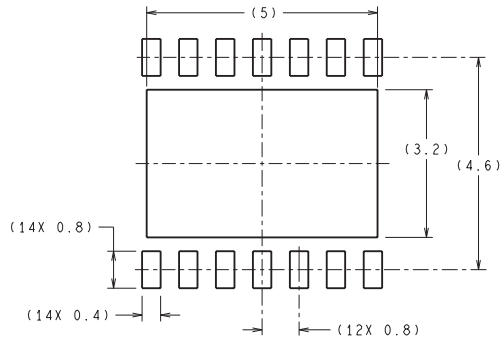
NDZ0007B



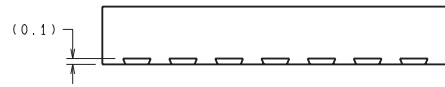
CONTROLLING DIMENSIONS IS INCH
VALUES IN [] ARE MILLIMETERS

TA07B (Rev E)

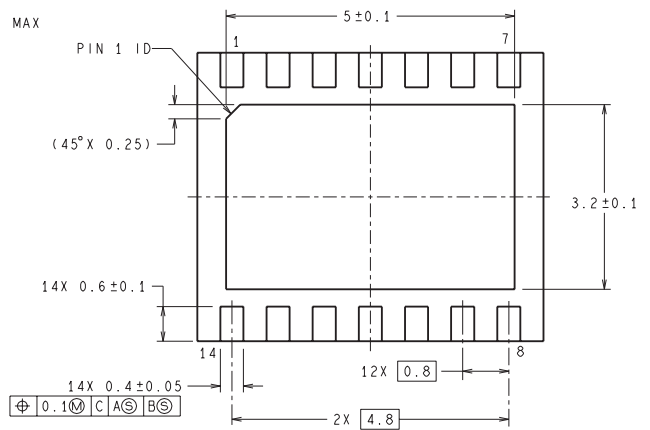
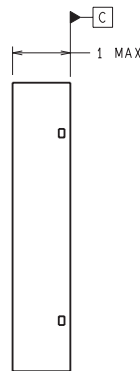
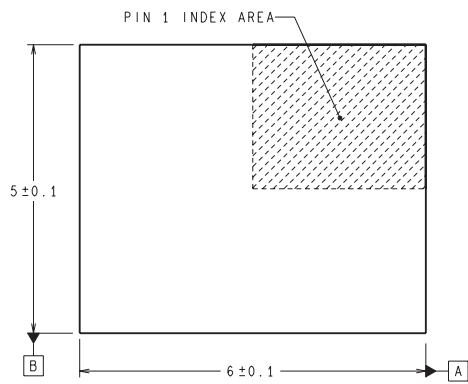
NHM0014A



DIMENSIONS ARE IN MILLIMETERS
DIMENSIONS IN () FOR REFERENCE ONLY

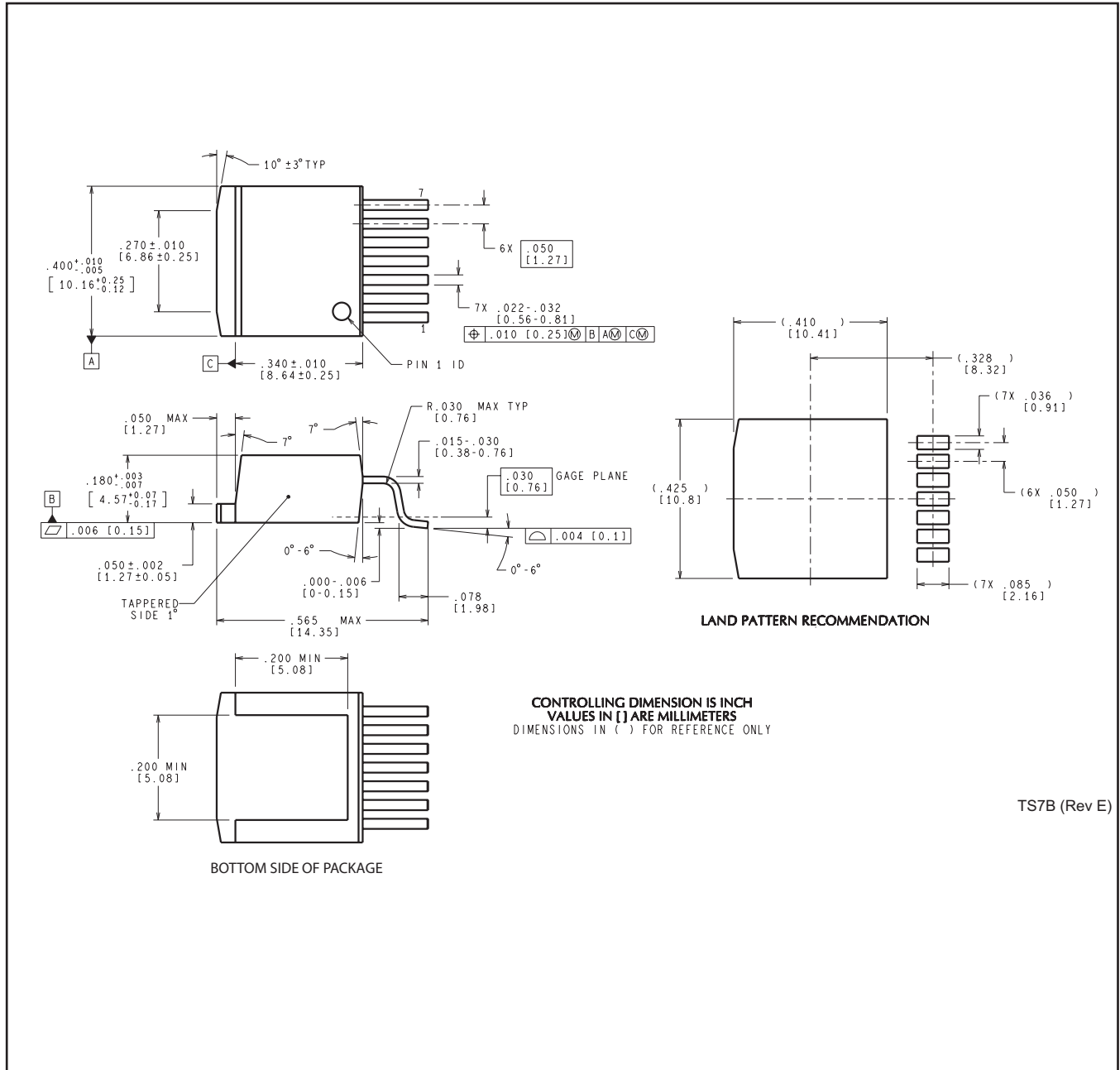


RECOMMENDED LAND PATTERN



SRC14A (Rev A)

KTW0007B



IMPORTANT NOTICE

Texas Instruments Incorporated and its subsidiaries (TI) reserve the right to make corrections, enhancements, improvements and other changes to its semiconductor products and services per JESD46, latest issue, and to discontinue any product or service per JESD48, latest issue. Buyers should obtain the latest relevant information before placing orders and should verify that such information is current and complete. All semiconductor products (also referred to herein as "components") are sold subject to TI's terms and conditions of sale supplied at the time of order acknowledgment.

TI warrants performance of its components to the specifications applicable at the time of sale, in accordance with the warranty in TI's terms and conditions of sale of semiconductor products. Testing and other quality control techniques are used to the extent TI deems necessary to support this warranty. Except where mandated by applicable law, testing of all parameters of each component is not necessarily performed.

TI assumes no liability for applications assistance or the design of Buyers' products. Buyers are responsible for their products and applications using TI components. To minimize the risks associated with Buyers' products and applications, Buyers should provide adequate design and operating safeguards.

TI does not warrant or represent that any license, either express or implied, is granted under any patent right, copyright, mask work right, or other intellectual property right relating to any combination, machine, or process in which TI components or services are used. Information published by TI regarding third-party products or services does not constitute a license to use such products or services or a warranty or endorsement thereof. Use of such information may require a license from a third party under the patents or other intellectual property of the third party, or a license from TI under the patents or other intellectual property of TI.

Reproduction of significant portions of TI information in TI data books or data sheets is permissible only if reproduction is without alteration and is accompanied by all associated warranties, conditions, limitations, and notices. TI is not responsible or liable for such altered documentation. Information of third parties may be subject to additional restrictions.

Resale of TI components or services with statements different from or beyond the parameters stated by TI for that component or service voids all express and any implied warranties for the associated TI component or service and is an unfair and deceptive business practice. TI is not responsible or liable for any such statements.

Buyer acknowledges and agrees that it is solely responsible for compliance with all legal, regulatory and safety-related requirements concerning its products, and any use of TI components in its applications, notwithstanding any applications-related information or support that may be provided by TI. Buyer represents and agrees that it has all the necessary expertise to create and implement safeguards which anticipate dangerous consequences of failures, monitor failures and their consequences, lessen the likelihood of failures that might cause harm and take appropriate remedial actions. Buyer will fully indemnify TI and its representatives against any damages arising out of the use of any TI components in safety-critical applications.

In some cases, TI components may be promoted specifically to facilitate safety-related applications. With such components, TI's goal is to help enable customers to design and create their own end-product solutions that meet applicable functional safety standards and requirements. Nonetheless, such components are subject to these terms.

No TI components are authorized for use in FDA Class III (or similar life-critical medical equipment) unless authorized officers of the parties have executed a special agreement specifically governing such use.

Only those TI components which TI has specifically designated as military grade or "enhanced plastic" are designed and intended for use in military/aerospace applications or environments. Buyer acknowledges and agrees that any military or aerospace use of TI components which have **not** been so designated is solely at the Buyer's risk, and that Buyer is solely responsible for compliance with all legal and regulatory requirements in connection with such use.

TI has specifically designated certain components as meeting ISO/TS16949 requirements, mainly for automotive use. In any case of use of non-designated products, TI will not be responsible for any failure to meet ISO/TS16949.

Products

| | |
|------------------------------|--|
| Audio | www.ti.com/audio |
| Amplifiers | amplifier.ti.com |
| Data Converters | dataconverter.ti.com |
| DLP® Products | www.dlp.com |
| DSP | dsp.ti.com |
| Clocks and Timers | www.ti.com/clocks |
| Interface | interface.ti.com |
| Logic | logic.ti.com |
| Power Mgmt | power.ti.com |
| Microcontrollers | microcontroller.ti.com |
| RFID | www.ti-rfid.com |
| OMAP Applications Processors | www.ti.com/omap |
| Wireless Connectivity | www.ti.com/wirelessconnectivity |

Applications

| | |
|-------------------------------|--|
| Automotive and Transportation | www.ti.com/automotive |
| Communications and Telecom | www.ti.com/communications |
| Computers and Peripherals | www.ti.com/computers |
| Consumer Electronics | www.ti.com/consumer-apps |
| Energy and Lighting | www.ti.com/energy |
| Industrial | www.ti.com/industrial |
| Medical | www.ti.com/medical |
| Security | www.ti.com/security |
| Space, Avionics and Defense | www.ti.com/space-avionics-defense |
| Video and Imaging | www.ti.com/video |

TI E2E Community

e2e.ti.com